



Illustrated Parts List

Model Series

21M300

TYPE NUMBERS
0017 through 1475.

TABLE OF CONTENTS

Alternator	9
Blower Housing/Shrouds	6, 7
Camshaft	2
Carburetor	4
Controls	8
Crankcase Cover	2
Crankshaft	2
Cylinder	2
Cylinder Head	3
Electric Starter	9
Exhaust System	5
Flywheel	7
Fuel Supply	9
Gasket Set - Engine	3
Gasket Set - Valve	3
Governor Spring	8
Ignition	9
Kit - Carburetor Overhaul	4
Lubrication	2
Operator's Manual	2
Piston/Rings/Connecting Rod	2
Rewind Starter	7
Valves	3
Warning Label	2

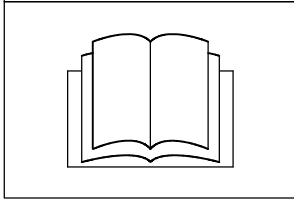


PRINTED IN U.S.A.

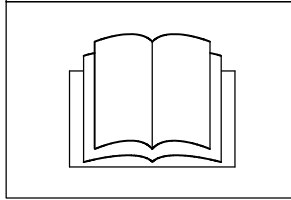
COPYRIGHT by BRIGGS & STRATTON CORPORATION
All rights reserved. No part of this material may be reproduced or transmitted,
in any form or by any means, electronic or mechanical, including photocopying,
recording or by any information storage and retrieval system, without permission
in writing from Briggs & Stratton Corporation.

21M300

1058 OPERATOR'S MANUAL



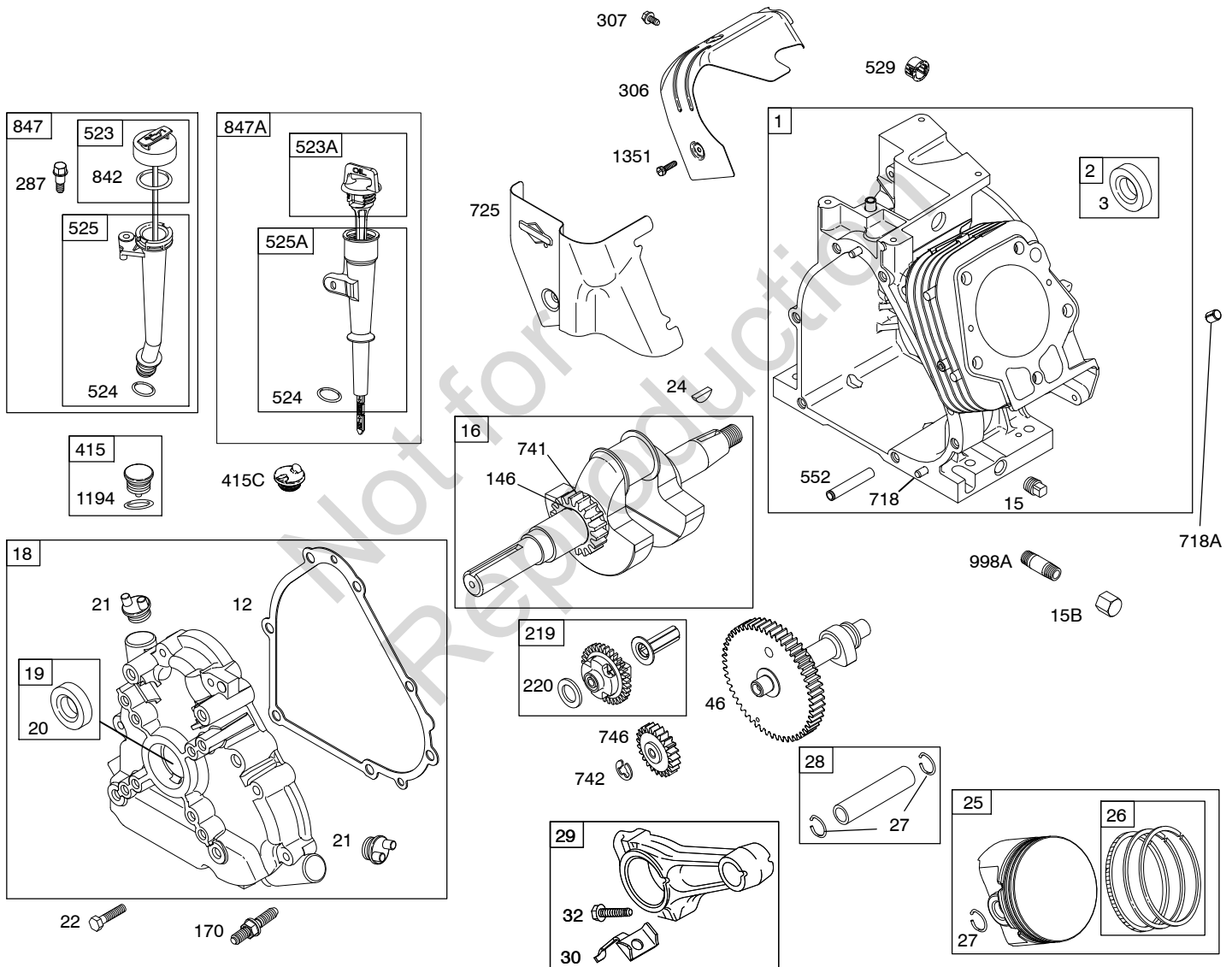
1330 REPAIR MANUAL



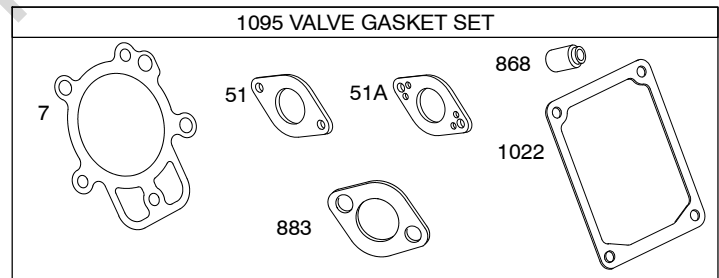
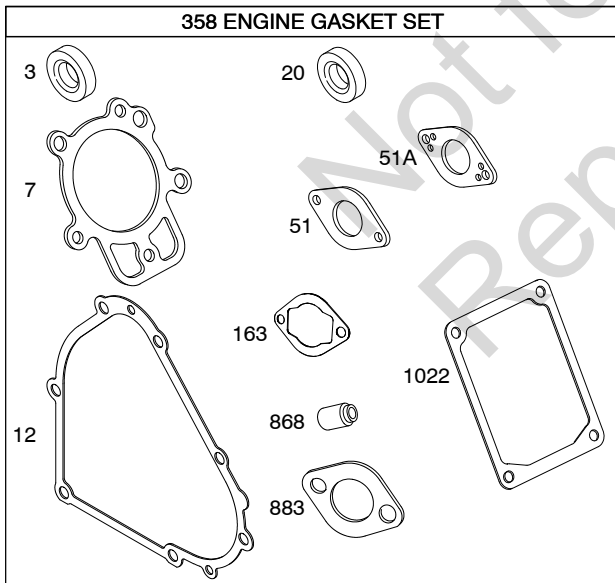
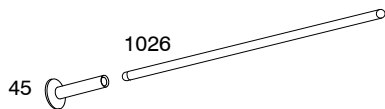
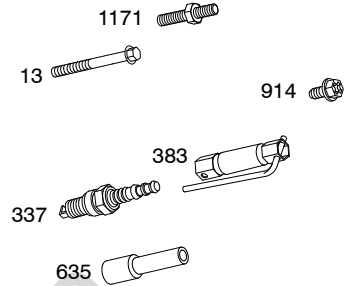
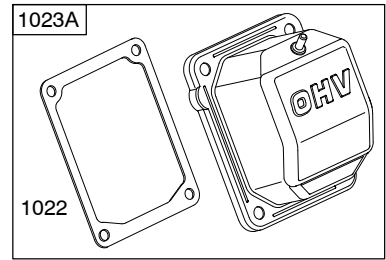
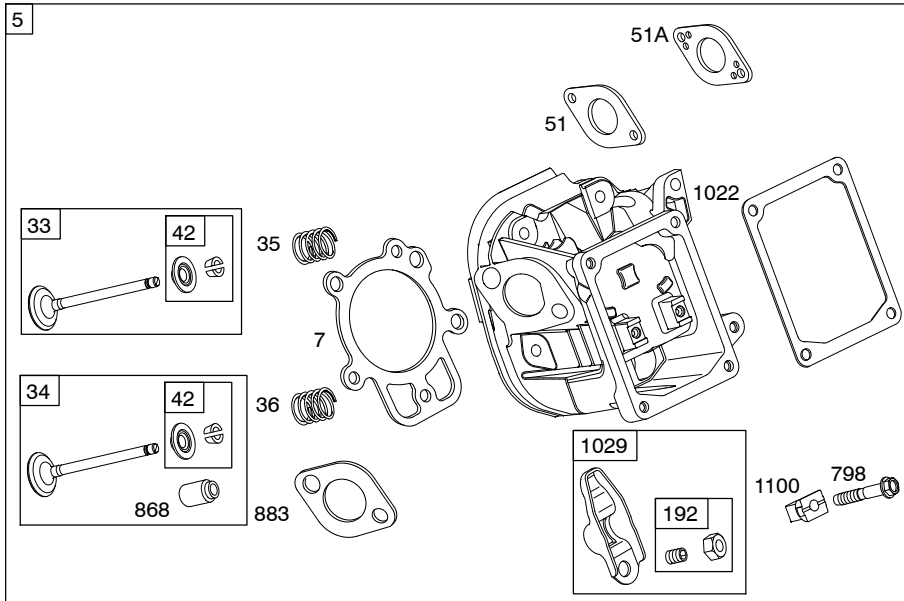
1319 WARNING LABEL

WARNING	
	Read and follow Operating Instructions before running engine.
	Gasoline is flammable. Allow engine to cool at least 2 minutes before refueling.
	Engines emit carbon monoxide, DO NOT run in enclosed area.
	Muffler area temperature may exceed 150°F. Do not touch hot parts.

REQUIRED when replacing parts with warning labels affixed.

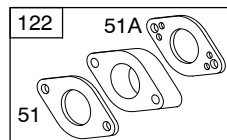
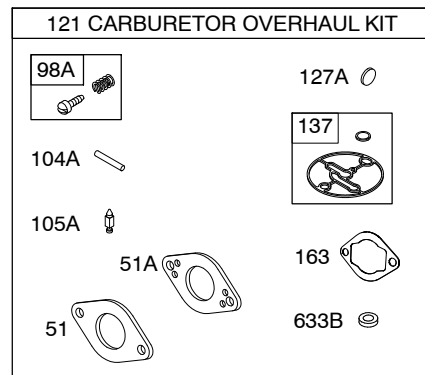
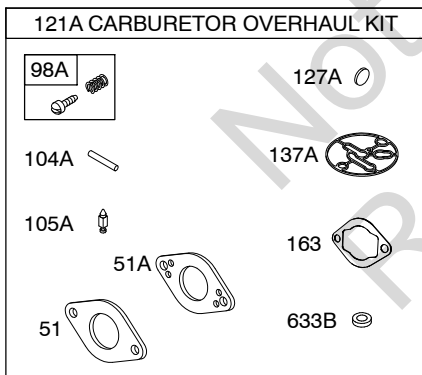
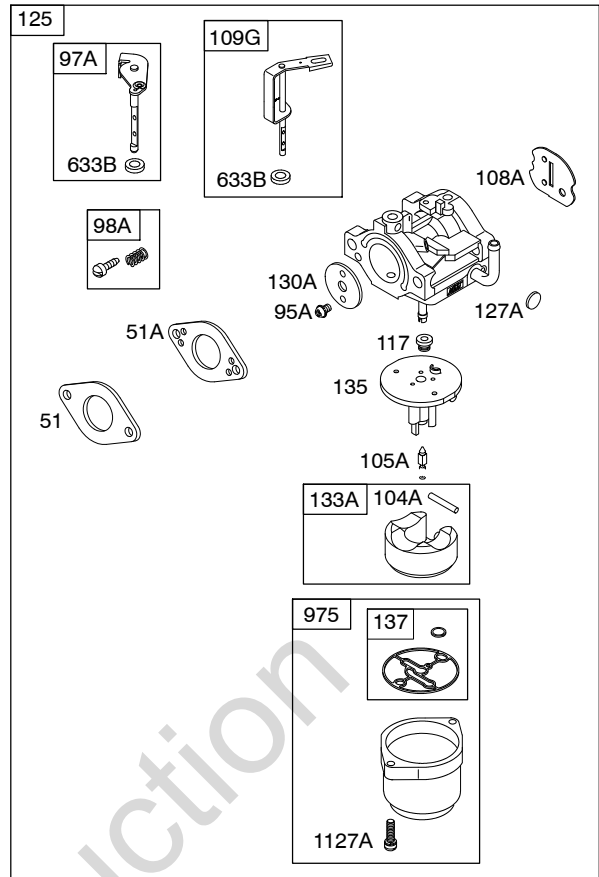
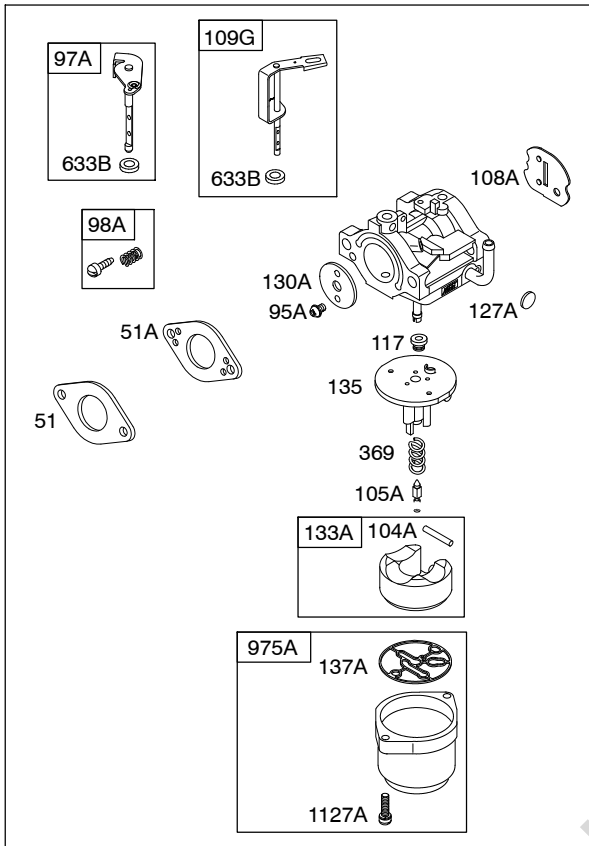


Illustrations cover a range of engines. Parts shown without corresponding text may not be used on your specific engine.
 4270-2 Assemblies include all parts shown in frames. 06/03/2010

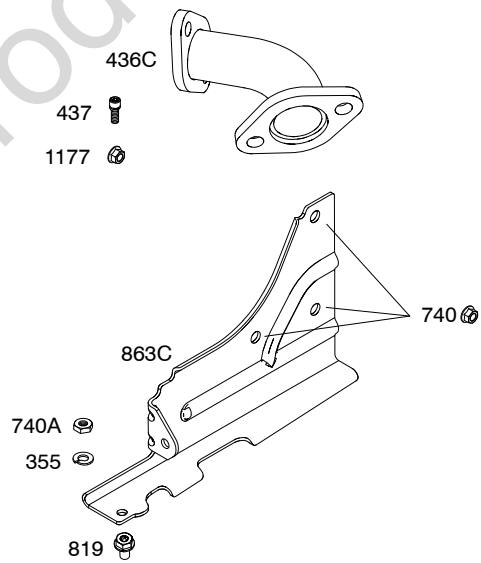
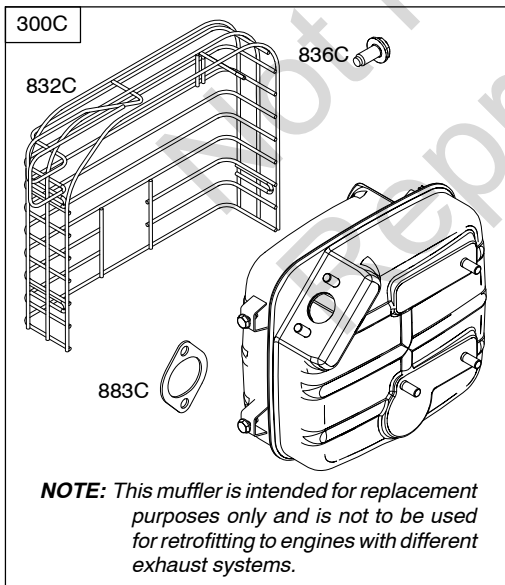
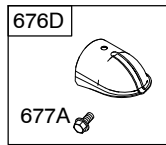
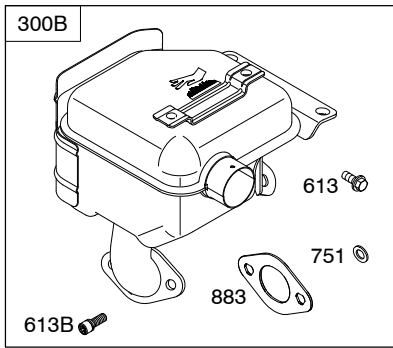
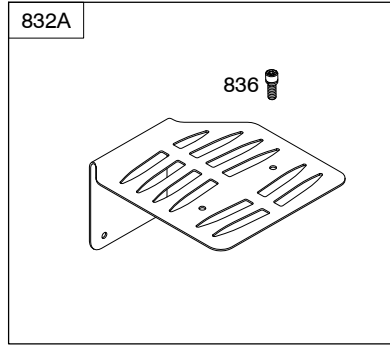
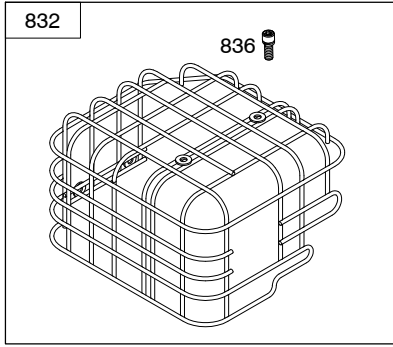


Illustrations cover a range of engines. Parts shown without corresponding text may not be used on your specific engine.
 4270-3 Assemblies include all parts shown in frames. 06/03/2010

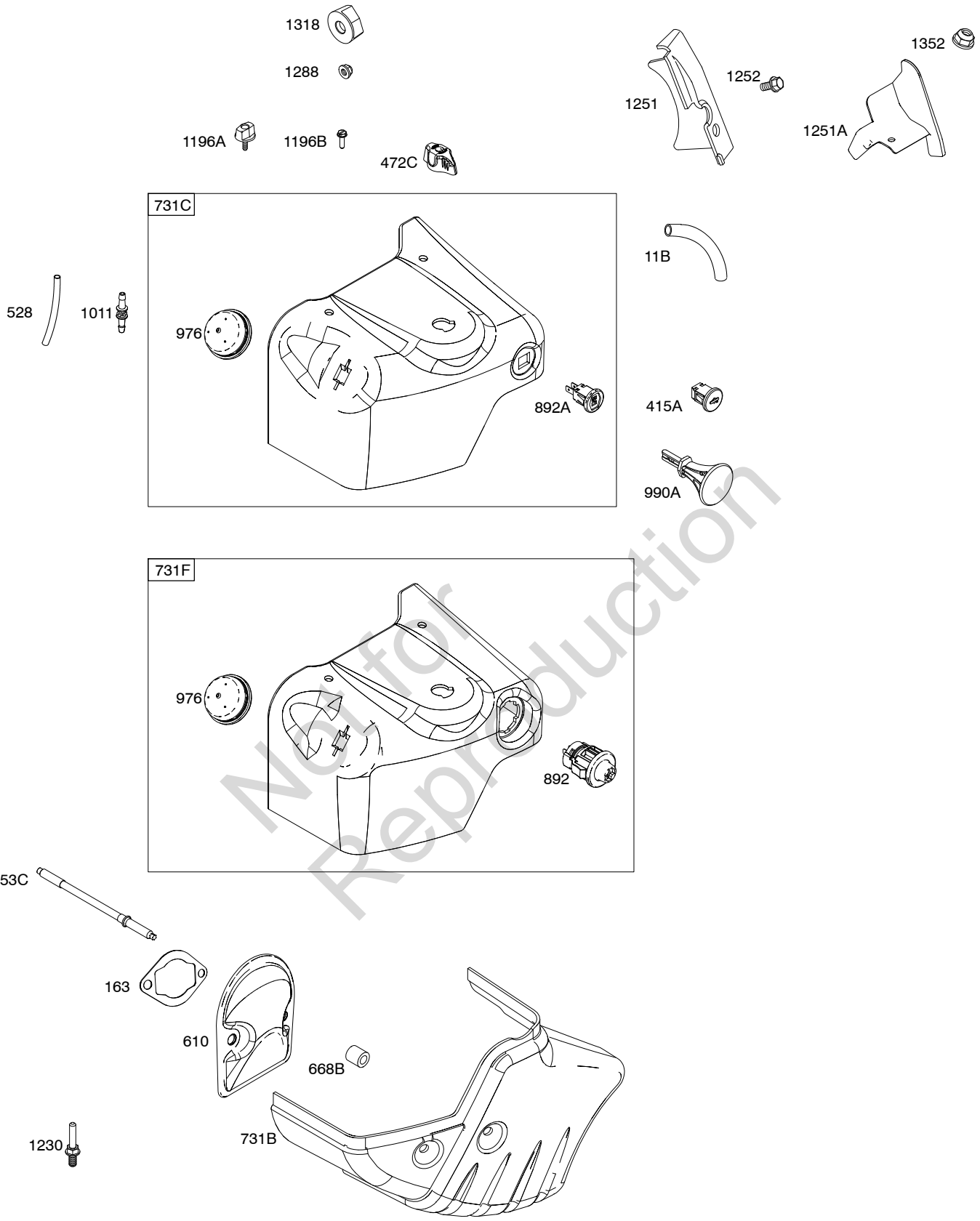
21M300



Illustrations cover a range of engines. Parts shown without corresponding text may not be used on your specific engine.
 4270-4 Assemblies include all parts shown in frames. 06/03/2010

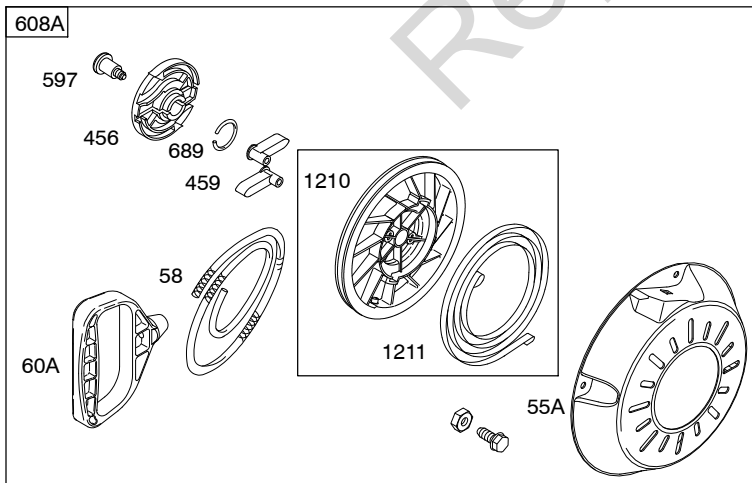
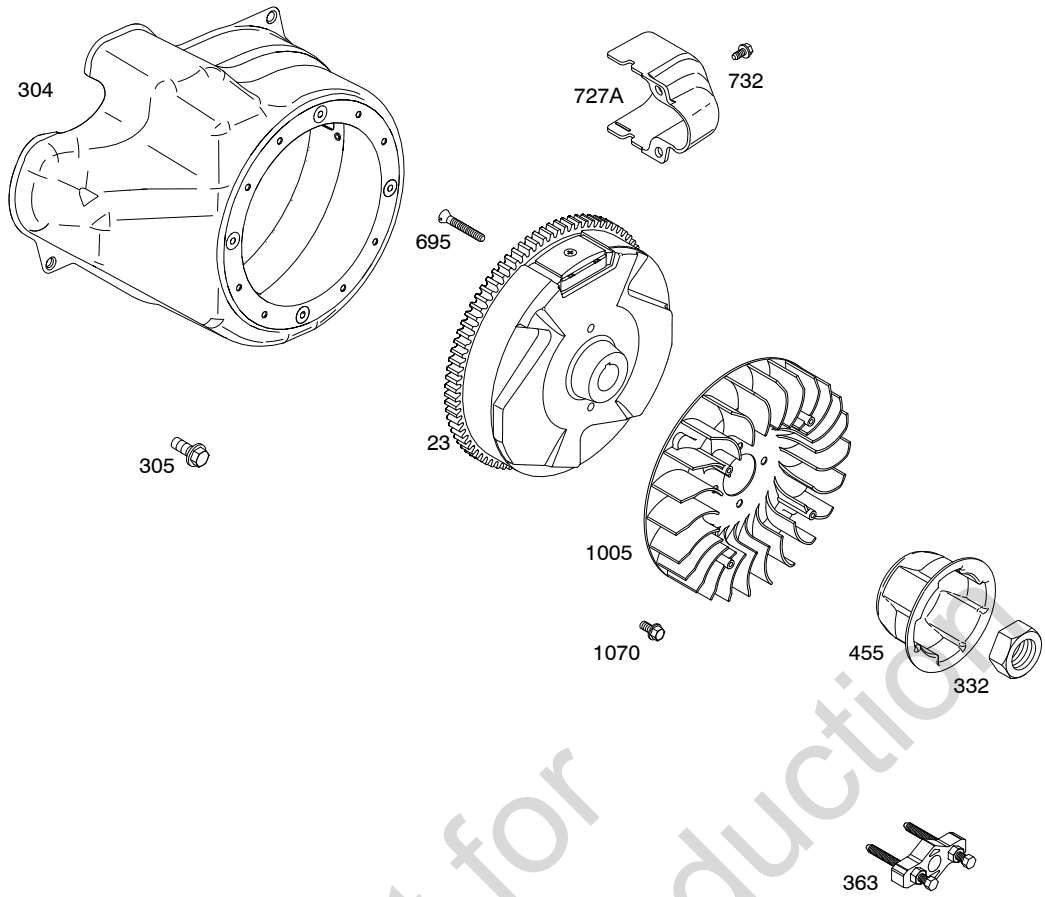


21M300



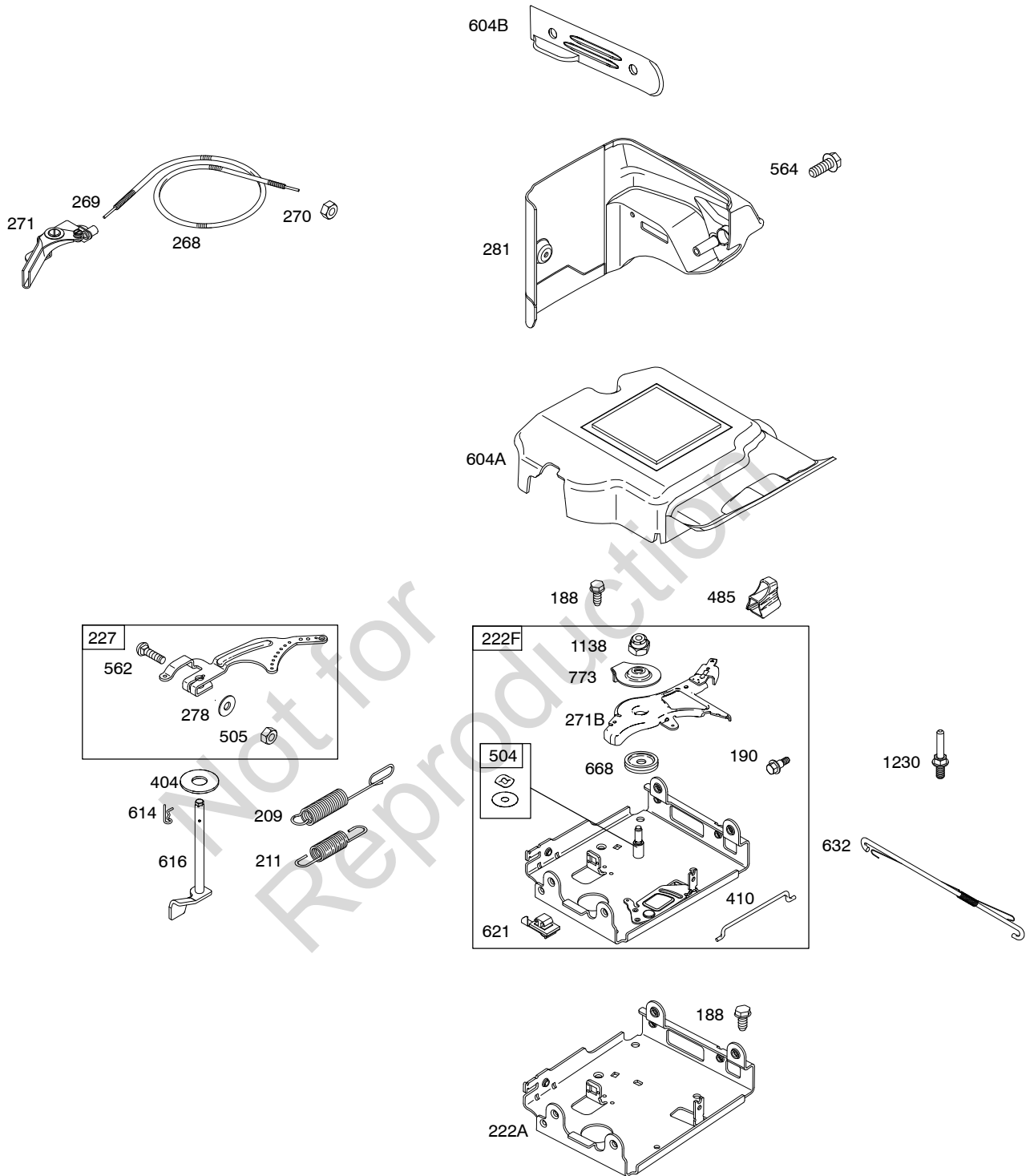
Illustrations cover a range of engines. Parts shown without corresponding text may not be used on your specific engine.
4270-6 Assemblies include all parts shown in frames. 06/03/2010

1036 EMISSIONS LABEL




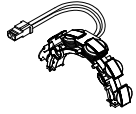
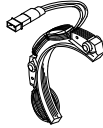








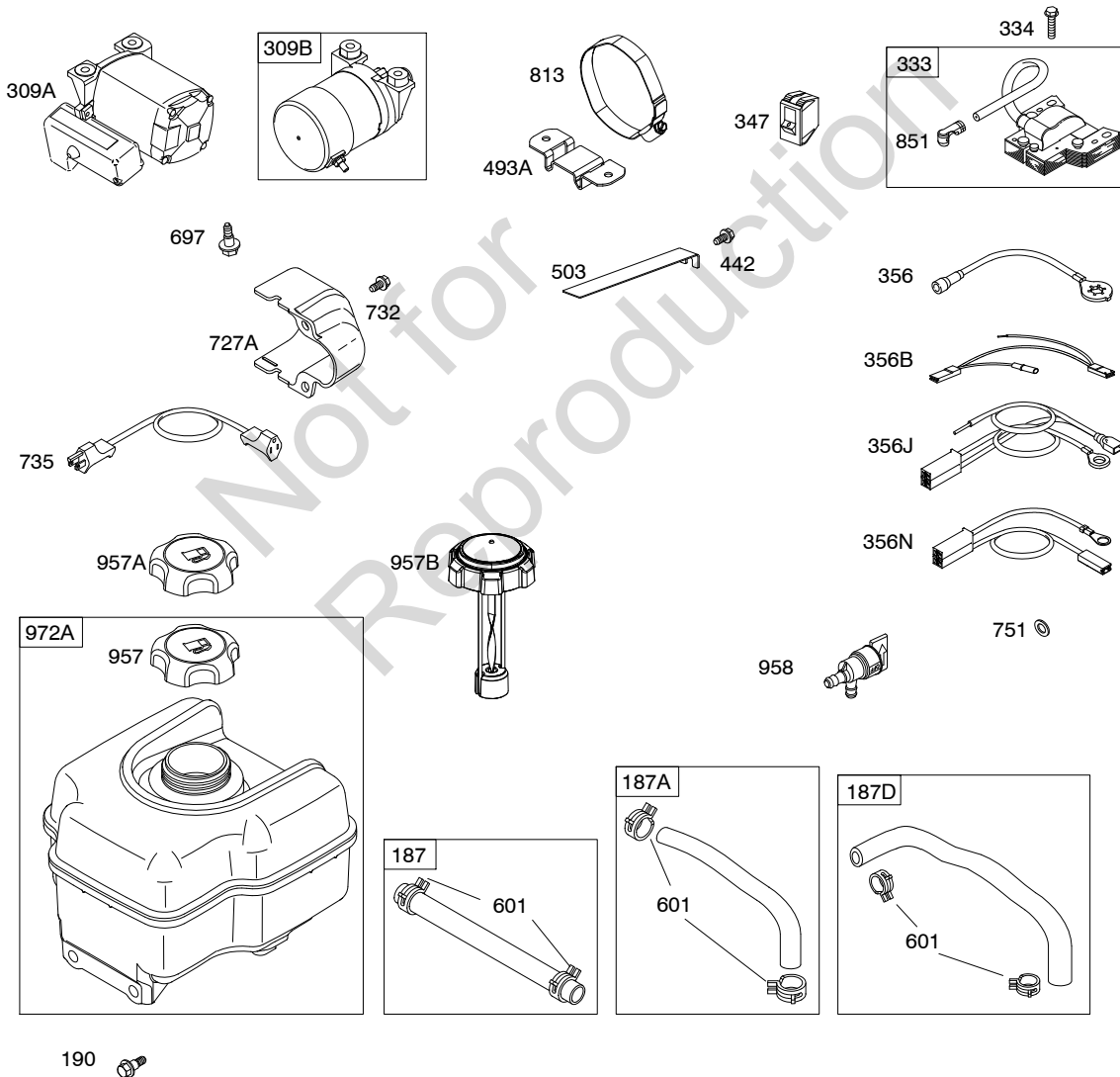
Illustrations cover a range of engines. Parts shown without corresponding text may not be used on your specific engine.
4270-7 Assemblies include all parts shown in frames. 06/03/2010

21M300



Illustrations cover a range of engines. Parts shown without corresponding text may not be used on your specific engine.
4270-8 Assemblies include all parts shown in frames. 06/03/2010

DUAL CIRCUIT	DUAL CIRCUIT	10-16 AMP	AC ONLY	DUAL CIRCUIT
474B	474C	474D	474G	474H
				
<p>NOTE: All stators use a No. 1119 mounting screw. </p> <p>NOTE: The proper flywheel part number and/or the alternator magnet size will determine the alternator type or output. See repair instruction manual for additional information.</p>				
1119 	526  501 	578A 	878 	



Illustrations cover a range of engines. Parts shown without corresponding text may not be used on your specific engine.
 4270-9 Assemblies include all parts shown in frames. 06/03/2010

21M300

REF. NO.	PART NO.	DESCRIPTION	REF. NO.	PART NO.	DESCRIPTION	REF. NO.	PART NO.	DESCRIPTION
1	794850	Cylinder Assembly	27	690975	Lock-Piston Pin	118	796128	Jet-Main
2	698340	Kit-Bushing/Seal (Magneto Side)	28	696581	Pin-Piston			(High Altitude)
3	391086S	Seal-Oil (Magneto Side)	29	694691	Rod-Connecting			(Used After Code Date
5	794871	Head-Cylinder	30	694692	Dipper-Connecting Rod			08050600).
7	697690	Gasket-Cylinder Head	32	690976	Screw (Connecting Rod)			----- Note -----
11B	696750	Tube-Breather	33	697576	Valve-Exhaust			696135 Jet-Main
12	694953	Gasket-Crankcase	34	795199	Valve-Intake			(High Altitude)
13	794829	Screw (Cylinder Head)	35	694865	Spring-Valve (Intake)	121	796137	(Used Before Code
15	691686	Plug-Oil Drain	36	694865	Spring-Valve (Exhaust)			Date 08050700).
15B	695757	Plug-Oil Drain	42	499586	Keeper-Valve			121A 696146 Kit-Carburetor
16	794716	Crankshaft Used on Type No(s). 0019, 0100, 0113, 0114, 0115, 0121, 0641.	45	690977	Tappet-Valve			Overhaul
		----- Note -----	46	795697	Camshaft			(Used After Code Date
		794720 Crankshaft	51	694874	Gasket-Intake			08050600).
		Used on Type No(s). 0017, 0111, 0117, 0118, 0119, 0122, 1355, 1384, 1470, 1475, 1476, 1478, 1481, 1483.	51A	694875	Gasket-Intake	122	694876	Spacer-Carburetor
			53C	795017	Stud (Carburetor)	125	796122	Carburetor
			55A	696710	Housing-Rewind Starter	127A	690727	Plug-Welch
			58	693389	Rope-Starter (Cut To Required Length)	130A	696139	Valve-Throttle
18	791965	Cover-Crankcase	60A	699334	Grip-Starter Rope	133A	694914	Float-Carburetor
19	698340	Kit-Bushing/Seal (PTO Side)	65	699851	Screw (Rewind Starter)	135	698780	Tube-Fuel Transfer
20	391086S	Seal-Oil (PTO Side)	95A	690718	Screw (Throttle Valve)			(Used After Code Date
21	281658S	Cap-Oil Fill	97A	696387	Shaft-Throttle			08050600).
22	794825	Screw (Crankcase Cover/Sump)	98A	695408	Kit-Idle Speed	137	698781	Gasket-Float Bowl
23	794812	Flywheel	104A	694918	Pin-Float Hinge			(Used After Code Date
24	222698S	Key-Flywheel	105A	696136	Valve-Float Needle			08050600).
25	793318	Piston Assembly (Standard)	108A	696143	Valve-Choke	137A	695426	Gasket-Float Bowl
		----- Note -----	109G	793520	Shaft-Choke			(Used Before Code
		793325 Piston Assembly (.020" Oversize)	117	796080	Jet-Main (Standard)			Date 08050700).
					(Used After Code Date 08050600).	146	690979	Key-Timing
					----- Note -----	163	692277	Gasket-Air Cleaner
					696134 Jet-Main (Standard)	170	794833	Stud (Crankcase Cover/Sump)
26	793319	Ring Set (Standard)			(Used Before Code Date 08050700).	187	791766	Line-Fuel (15 Inches Long) (Cut To Required Length)
		----- Note -----				187A	791869	Line-Fuel
		793324 Ring Set (.020" Oversize)				187D	791879	Line-Fuel

Illustrations cover a range of engines. Parts shown without corresponding text may not be used on your specific engine.

21M300

REF. NO.	PART NO.	DESCRIPTION	REF. NO.	PART NO.	DESCRIPTION	REF. NO.	PART NO.	DESCRIPTION
188	699479	Screw (Control Bracket)	271	691028	Lever-Control	334	699477	Screw (Magneto Armature)
190	699220	Screw (Fuel Tank)	271B	698035	Lever-Control	337	491055S	Plug-Spark ----- Note -----
192	690083	Adjuster-Rocker Arm	278	798196	Washer (Governor Control Lever)			691043 Plug-Spark Used on Type No(s). 0100, 0111, 0117, 1384, 1475, 1476.
209	695491	Spring-Governor ----- Note ----- 694867 Spring-Governor Used on Type No(s). 0017, 0019, 0113, 0114, 0115, 0118, 0119, 0121, 0122, 1355, 1470, 1476, 1478, 1481, 1483.			(Used After Code Date 09101800). ----- Note ----- 792008 Washer (Governor Control Lever) (Used Before Code Date 09101900).			793541 Plug-Spark Used on Type No(s). 0113, 0114, 0115, 0118, 0119, 0121, 0122, 1355, 1470, 1478, 1481, 1483
211	695307	Spring-Governed Idle Used on Type No(s). 0017, 0019, 0113, 0114, 0115, 0118, 0119, 0121, 0122, 1355, 1470, 1476, 1478, 1481, 1483.	281	697268	Panel-Control	347	795333	Switch-Rocker
219	693578	Gear-Governor	287	699629	Screw (Dipstick Tube)	355	794842	Washer (Muffler Bracket)
220	691724	Washer (Governor Gear)	300B	794948	Muffler	356	692603	Wire-Stop
222A	794801	Bracket-Control	300C	793701	Muffler (This muffler is intended for replacement purposes only and is not to be used for retrofitting to engines with different exhaust systems)	356B	699340	Wire-Stop
222F	794800	Bracket-Control Used on Type No(s). 0017, 0019, 0113, 0114, 0115, 0118, 0119, 0121, 0122, 1355, 1470, 1476, 1478, 1481, 1483.	304	795699	Housing-Blower	356J	793206	Wire-Stop
227	694864	Lever-Governor Control	305	699481	Screw (Blower Housing)	356N	798847	Wire-Stop
268	691025	Casing-Control Wire (Cut To Required Length)	306	697240	Shield-Cylinder	358	795201	Gasket Set-Engine
269	691026	Wire-Control (Cut To Required Length)	307	794822	Screw (Cylinder Shield)	363	19203	Puller-Flywheel
270	691027	Nut (Control Wire Casing)	309A	795909	Motor-Starter ----- Note ----- 792157 Motor-Starter Used on Type No(s). 0113, 0122, 1384, 1475, 1478.	369	695422	Spring-Float Bowl (Used Before Code Date 08050700).
			309B	698162	Motor-Starter Used on Type No(s). 0115.	383	19576S	Wrench-Spark Plug
			332	794824	Nut (Flywheel)	404	795759	Washer (Governor Crank)
			333	798853	Armature-Magneto	410	695382	Link-Control
						415	691363	Plug
						415A	699337	Plug
						415C	693463	Plug
						436C	792374	Manifold-Exhaust
						437	794844	Screw (Exhaust Manifold)
						442	790282	Screw (Starter Strap)
						455	795011	Cup-Flywheel
						456	692299	Plate-Pawl Friction
						459	281505S	Pawl-Ratchet
						472C	791948	Knob-Choke Shaft

Illustrations cover a range of engines. Parts shown without corresponding text may not be used on your specific engine.

21M300

REF. NO.	PART NO.	DESCRIPTION	REF. NO.	PART NO.	DESCRIPTION	REF. NO.	PART NO.	DESCRIPTION
474B	793118	Alternator Used on Type No(s). 0641, 1355, 1384. ----- Note ----- 696742 Alternator Used on Type No(s). 0017, 0019.	523	695344	Dipstick Used on Type No(s). 0017, 0019, 0118, 0119, 0122, 1355, 1470, 1478, 1481, 1483.	614	691620	Pin-Cotter (Governor Crank)
474C	698314	Alternator Used on Type No(s). 0118, 0119, 0122.	523A	790477	Dipstick	616	795758	Crank-Governor
474D	695466	Alternator (10-16 Amp Regulated) Used on Type No(s). 0115.	524	691876	Seal-Dipstick Tube	621	692310	Switch-Stop
474H	698230	Alternator Used on Type No(s). 0111.	525	695343	Tube-Dipstick Used on Type No(s). 0017, 0019, 0118, 0119, 0122, 1355, 1470, 1478, 1481, 1483.	632	695917	Spring/Link- Mechanical Governor
474G	797090	Alternator Used on Type No(s). 0113, 0114, 0117, 0121, 1470, 1475, 1476, 1478, 1481, 1483.	525A	792041	Tube-Dipstick	633B	690998	Seal-Choke/Throttle Shaft
485	695755	Knob-Control	526	690297	Screw (Regulator)	635	691909	Boot-Spark Plug (Alternator)
493A	691177	Bracket-Mounting	528	793006	Hose-Primer (Cut to Required Length)	668	694257	Spacer (Control Bracket)
501	797375	Regulator Used on Type No(s). 0115. ----- Note ----- 698315 Regulator Used on Type No(s). 0118, 0119, 0122.	529	791822	Grommet	668B	794539	Spacer (Snow Hood)
503	691532	Strap-Starter	552	694674	Bushing-Governor Crank	676D	794213	Deflector-Muffler
504	695383	Washer Set-Friction	562	798197	Bolt (Governor Control Lever) (Used After Code Date 09101800). ----- Note ----- 793216 Bolt (Governor Control Lever) (Used Before Code Date 09101900).	677A	699776	Screw (Muffler Deflector)
505	793515	Nut (Governor Control Lever) (Used After Code Date 09101800). ----- Note ----- 691251 Nut (Governor Control Lever) (Used Before Code Date 09101900).	564	699854	Screw (Control Cover)	689	691855	Spring-Friction
			578A	792576	Wire Assembly	695	698807	Screw (Ring Gear)
			597	691696	Screw (Pawl Friction Plate)	697	795012	Screw (Drive Cap)
			601	791850	Clamp-Hose	718	690959	Pin-Locating (Cylinder)
			604A	696758	Cover-Control	718A	695178	Pin-Locating (Head)
			604B	790473	Cover-Control	725	696756	Shield-Heat
			608A	699335	Starter-Rewind	727A	697465	Cover-Starter Drive
			610	794541	Arrester-Intake	731B	794540	Hood-Snow
			613	794846	Screw (Muffler)	731C	793621	Hood-Snow
			613B	794844	Screw (Muffler)	731F	798874	Hood-Snow Used on Type No(s). 0118, 0119, 0122.
						732	699200	Screw (Starter Drive Cover)
						735	795901	Cord-Starter
						740	710090	Nut (Muffler Bracket)
						740A	794843	Nut (Muffler Bracket)
						741	691288	Gear-Timing
						742	692564	Retainer-E Ring
						746	694679	Gear-Idler
						751	794839	Washer (Stop Wire)
						773	694258	Retainer

Illustrations cover a range of engines. Parts shown without corresponding text may not be used on your specific engine.

21M300

REF. NO.	PART NO.	DESCRIPTION	REF. NO.	PART NO.	DESCRIPTION	REF. NO.	PART NO.	DESCRIPTION
798	697890	Screw (Rocker Arm)	930	696709	Guard-Rewind	1095	795200	Gasket Set-Valve
813	690635	Clamp	957	795027	Cap-Fuel Tank (Plastic)	1100	791959	Pivot-Rocker Arm
819	794832	Screw (Muffler Bracket)	957A	792647	Cap-Fuel Tank (Plastic) (Fresh Start)	1119	699772	Screw (Alternator)
832	796384	Guard Muffler	957B	698109	Cap-Fuel Tank Used on Type No(s). 0111, 0117, 1355, 1470.	1127A	695407	Screw (Float Bowl)
832A	797095	Guard Muffler Used on Type No(s). 0017, 0019, 0100, 0114, 0117, 0118, 0119, 0121, 1355, 1470, 1481, 1483.	958	698180	Valve-Fuel Shut Off (Plastic)	1138	694255	Nut (Control Bracket)
832C	792380	Guard-Muffler	972A	694260	Tank-Fuel (Plastic)	1171	794828	Stud (Rocker Cover)
836	699234	Screw (Muffler Guard)	975	698783	Bowl-Float (Used After Code Date 08050600).	1177	710090	Nut (Muffler)
836C	710023	Screw (Muffler Guard)	975A	698783	Bowl-Float (Used Before Code Date 08050700).	1194	691876	Seal-O Ring (Plug)
842	691031	Seal-O Ring (Dipstick Tube)	976	793382	Primer-Carburetor	1196A	696692	Screw (Snow Hood)
847	695342	Dipstick/Tube Assembly Used on Type No(s). 0017, 0019, 0118, 0119, 0122, 1355, 1470, 1478, 1481, 1483.	976	793382	Primer-Carburetor	1196B	798785	Screw (Snow Hood)
847A	790476	Dipstick/Tube Assembly	990A	794696	Key Set	1210	498144	Pulley/Spring Assembly (Pulley)
851	692424	Terminal-Spark Plug	998A	696683	Pipe-Oil	1211	498144	Pulley/Spring Assembly (Spring)
863C	793700	Bracket-Muffler	----- Note -----			1230	699847	Stud (Control Bracket)
868	794086	Seal-Valve	792928	792928	Pipe-Oil Used on Type No(s). 1355, 1384, 1470, 1475, 1476, 1478, 1481, 1483.	1251	696762	Shield-Snow
878	398661	Wire/Connector- Alternator	1005	794815	Fan-Flywheel	1251A	790471	Shield-Snow
883	695398	Gasket-Exhaust	1011	794544	Tube-Vent	1252	699481	Screw (Snow Shield)
883C	710250	Gasket-Exhaust	1022	690971	Gasket-Rocker Cover	1288	794838	Nut (Snow Hood)
892	798182	Switch-Key Used on Type No(s). 0118, 0119, 0122.	1023A	698042	Cover-Rocker	1318	698111	Knob-Snow Hood
892A	791944	Switch-Key	1026	695177	Rod-Push	1319	794467	Label-Warning
914	794827	Screw (Rocker Cover)	1029	690972	Arm-Rocker	1330	276781	Repair Manual
			1036		Label-Emissions (Available From A Briggs & Stratton Authorized Dealer)	1351	794847	Stud (Cylinder Shield)
			1058	279128	Manual Operator's	1352	795016	Nut (Spark Plug Shield)
			1070	794821	Screw (Flywheel Fan)			

Illustrations cover a range of engines. Parts shown without corresponding text may not be used on your specific engine.

Not for
Reproduction

Not for
Reproduction

Not for
Reproduction

