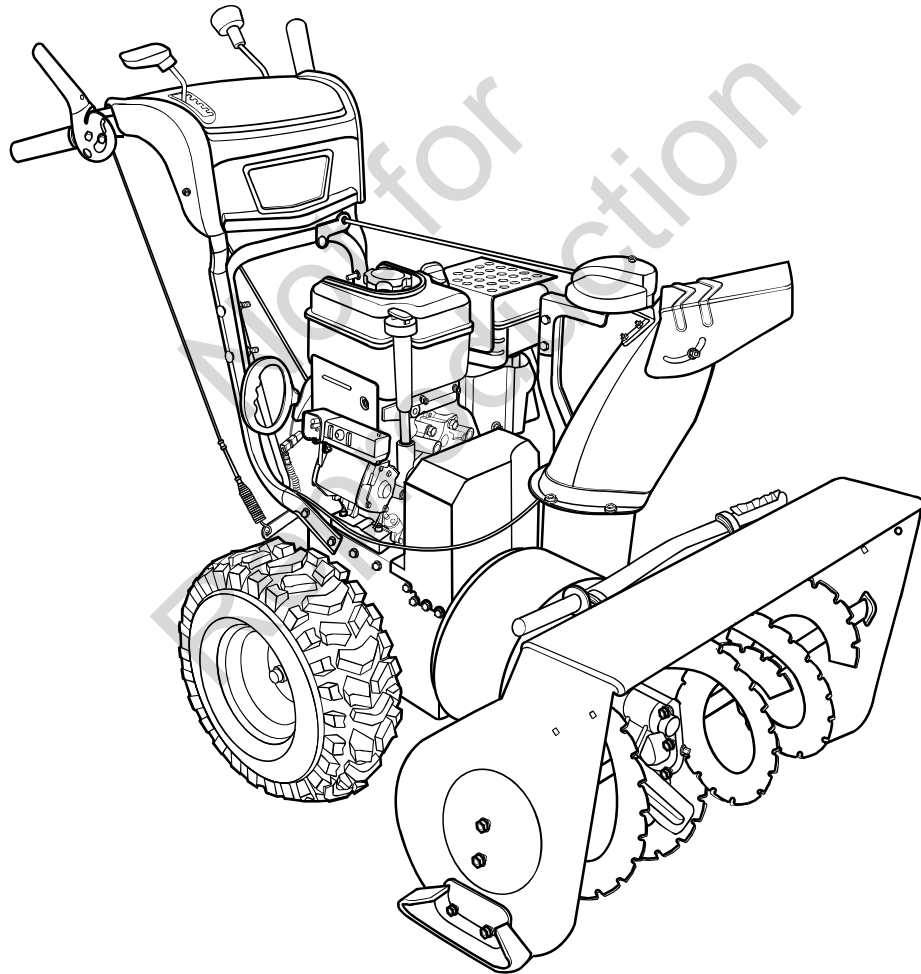


1695575

Parts Manual



Manual Part No. 1737373

Revision 00

Rev. Date 10/2008

TP 400-4999-00-ST-J

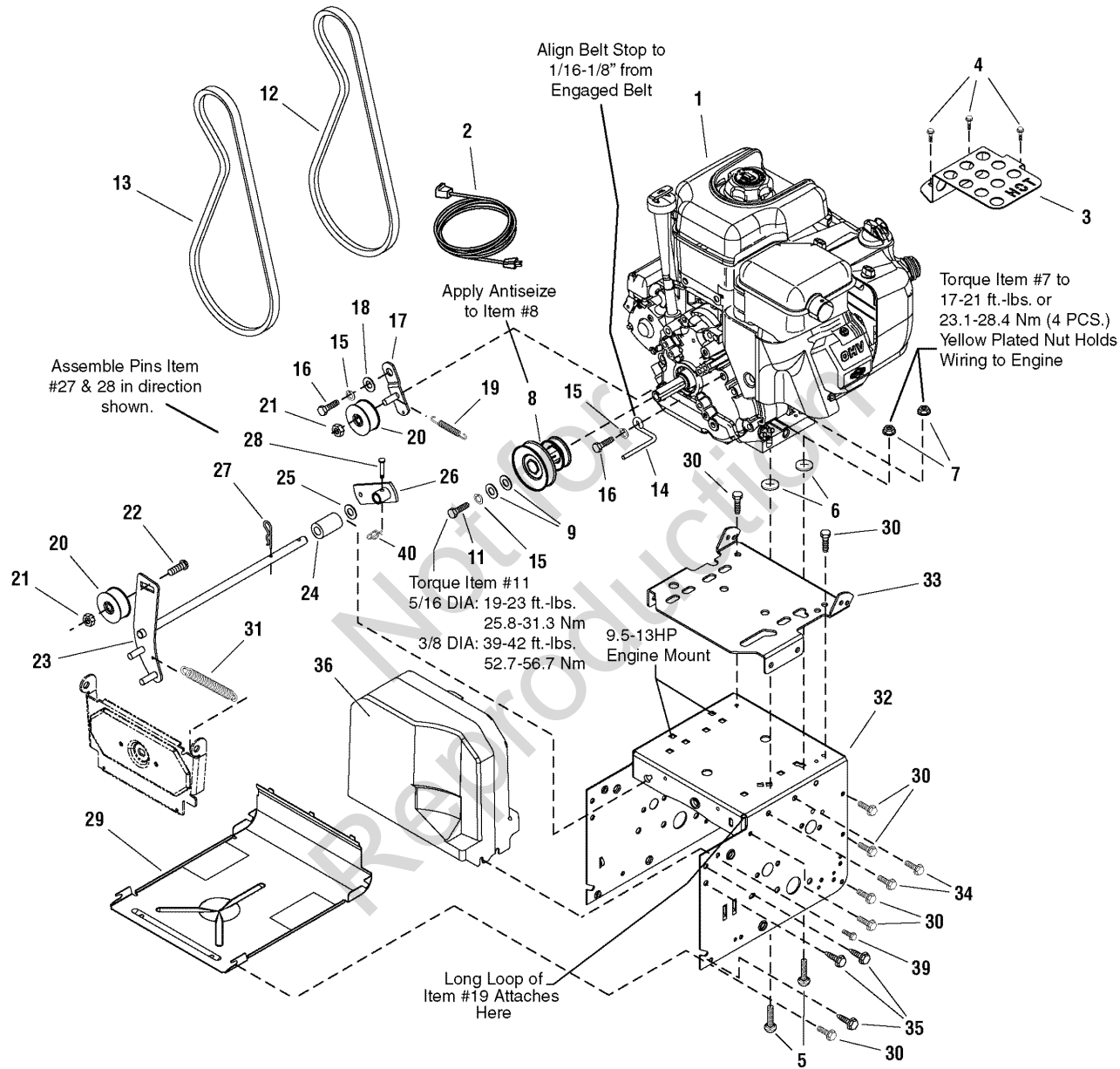
Not for
Reproduction

PRODUCT COMPONENTS	PAGES
Engine and Frame Group - Steerable	4
Traction Drive Group	6
Auger Housing	8
Discharge Chute	10
Handle & Cover Panel Assembly	12
Decals	16
Gear Case	18
Wheel and Tire Group	20
Torque Specification Chart	Inside Back Cover

Not for
Reproduction

Engine and Frame Group - Steerable

NOTE: Unless noted otherwise, use the standard hardware torque specification chart.

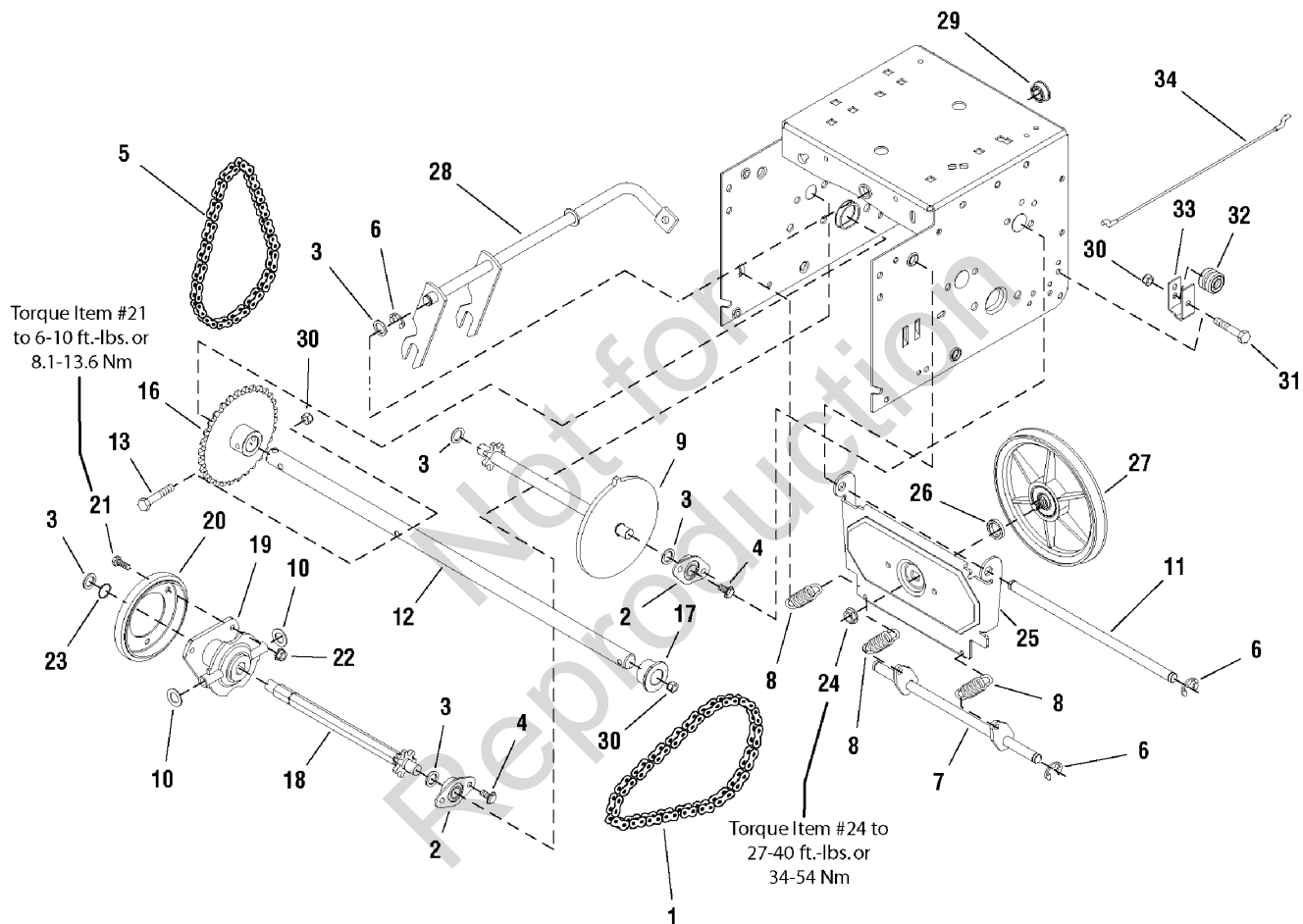


The above parts group applies to the following Mfg. Nos.:

1695575 - Brute 11.5 TP Snowthrower (2008)

Traction Drive Group

NOTE: Unless noted otherwise, use the standard hardware torque specification chart.

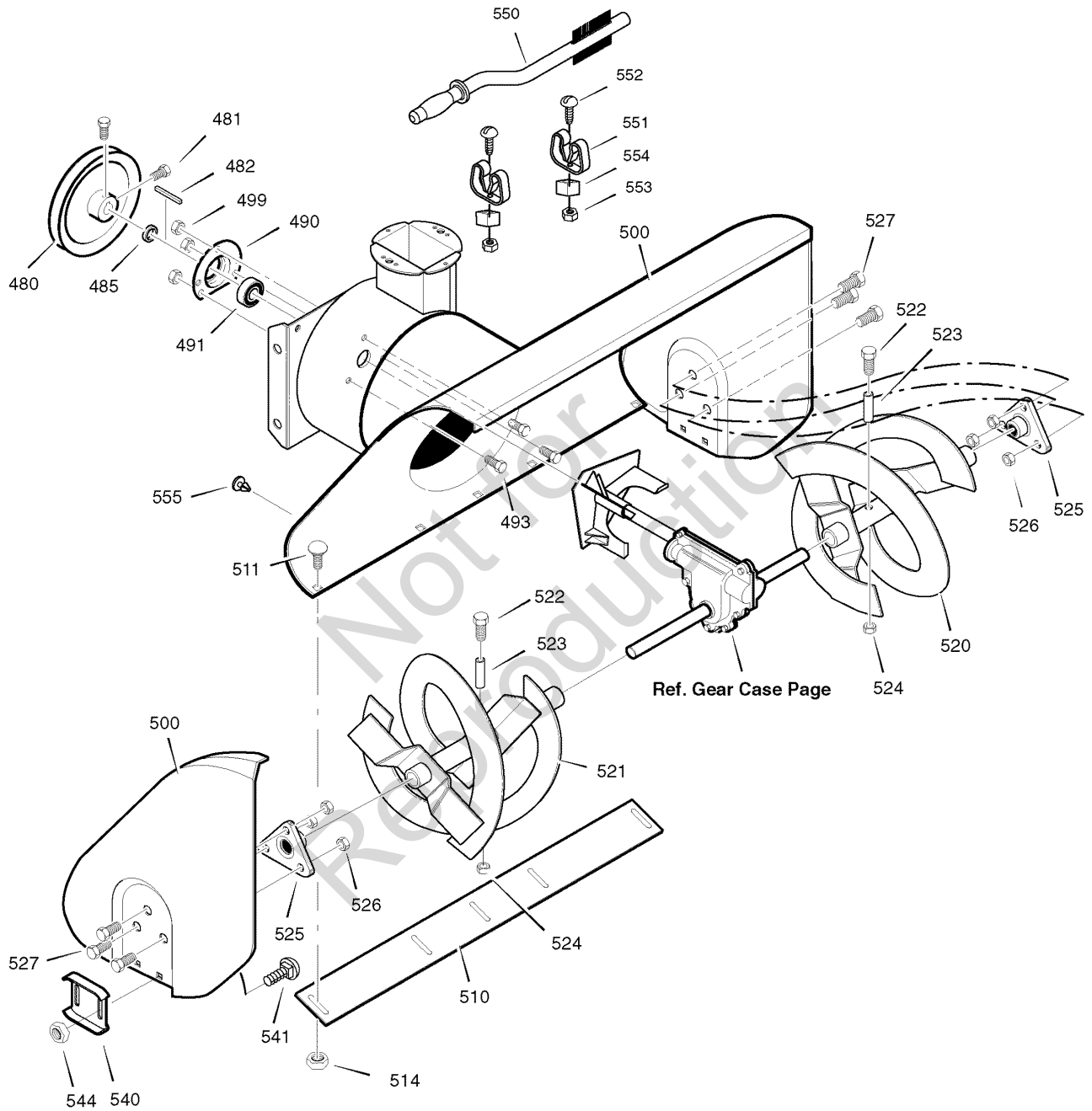


The above parts group applies to the following Mfg. Nos.:

1695575 - Brute 11.5 TP Snowthrower (2008)

Auger Housing

NOTE: Unless noted otherwise, use the standard hardware torque specification chart.



The above parts group applies to the following Mfg. Nos.:
1695575 - Brute 11.5 TP Snowthrower (2008)

Auger Housing

REF NO	PART NO.	QTY.	DESCRIPTION
480	1501211MA	1	PULLEY, 8.40 V4L .67id
481	577400MA	2	SCREW, 5/16-18 x 0.63
482	2001022MA	1	KEY, SQUARE 3/16 X 3/4
485	1501158MA	1	SPACER, FRICTION PULLEY
490	582957YZMA	1	RETAINER, BALL BEARING
491	1705897SM	1	BEARING, BALL
493	001X45MA	3	BOLT, HEX 5/16-18 X 0.62
499	710026MA	3	NUT, 5/16-18 HEXWDFLLK
500	1736471ZYP	1	HOUSING, ASSEMBLY
510	1740745AYP	1	BLADE, SCRAPER
511	340720MA	4	BOLT, 5/16-18 X 34
514	710026MA	4	NUT, 5/16-18 X 0.62
520	1501445E701MA	1	AUGER ASSEMBLY, LH
521	1501444E701MA	1	AUGER ASSEMBLY, RH
522	9524MA	2	SCREW, 1/4-20 X 1.75
523	3943MA	2	SPACER, SLEEVE
524	73826MA	2	NUT, 1/4-20
525	9517MA	2	BEARING, FLANGE
526	711862MA	6	NUT, 5/16-18
527	9357MA	6	SCREW, 5/16-18 x 0.75
540	1740912AYP	2	SKID, HEIGHT ADJUST
541	7090799SM	4	BOLT, 5/16-18 X 0.5
544	710026MA	4	NUT, 5/16-18
550	1501576MA	1	BRUSH, CLEANOUT
551	1501672MA	2	CLIP, RETAINER
552	06X115MA	2	SCREW
553	15X146MA	2	NUT
554	578063MA	2	BLOCK
555	760040MA	2	PLUG

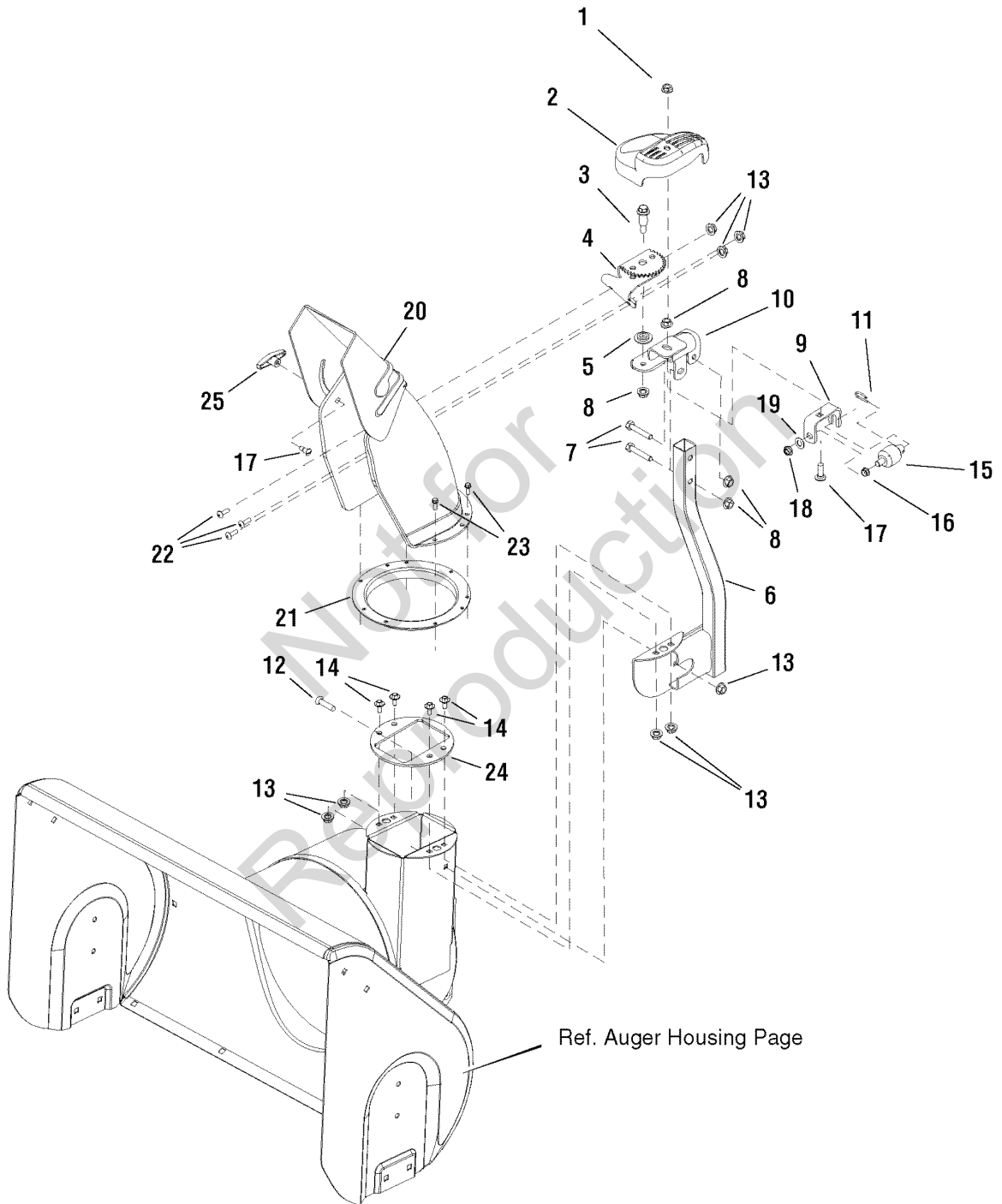
Footnotes

The above parts group applies to the following Mfg. Nos.:

1695575 - Brute 11.5 TP Snowthrower (2008)

Discharge Chute

NOTE: Unless noted otherwise,
use the standard hardware torque
specification chart.



The above parts group applies to the following Mfg. Nos.:

1695575 - Brute 11.5 TP Snowthrower (2008)

Discharge Chute

REF NO	PART NO.	QTY.	DESCRIPTION
1	1935048SM	1	NUT, Hex Flange 5/16-18 Two Way Lock
2	1734442SM	1	COVER, Gears
3	1732412SM	1	BOLT, Shoulder 5/16-18 G5
4	1736038YP	1	GEAR & SUPPORT ASSEMBLY, Chute
5	1733026SM	1	WASHER, Powdered Metal
6	1736195AYP	1	CHUTE SUPPORT ASSEMBLY
7	1922127SM	2	CAPSCREW, Hex Head 5/16-18 x 1-3/4 G5
8	1960684SM	4	NUT, Hex KEPS 5/16-18 Conical Washer
9	1734440SM	1	SUPPORT, Worm "U" 10GA
10	1734423ASM	1	SUPPORT, Gear & Chute 10GA
11	1501293MA	1	PIN, Hair Chute Gear
12	02X101MA	1	BOLT, CARRIAGE 0.25-20 x 0.75
13	5025391SM	8	NUT, 1/4-20 HEX NYLOCK FLANGE
14	691005	4	SCREW, HEX WASHER
15	1734439SM	1	WORM, Chute L.H.
16	1667588SM	1	BUSHING
17	1931335SM	1	CARRIAGE BOLT, 5/16-18 x 1 G5
18	1960762SM	1	NUT, Hex Lock Jam ESNA Lite 3/8-24
19	1734542SM	1	WASHER, Cup
20	1736719YP	1	DISCHARGE CHUTE ASSEMBLY
21	1736444AYP	1	CHUTE RING
22	1960715SM	3	SCREW, Truss Head, 1/4-20 x 3/4
23	1925003SM	4	CAPSCREW, Hex Head Taptite, 1/4-20 x 1/2
24	1735767YP	1	GUIDE, CHUTE RING
25	1501260MA	1	KNOB, WING

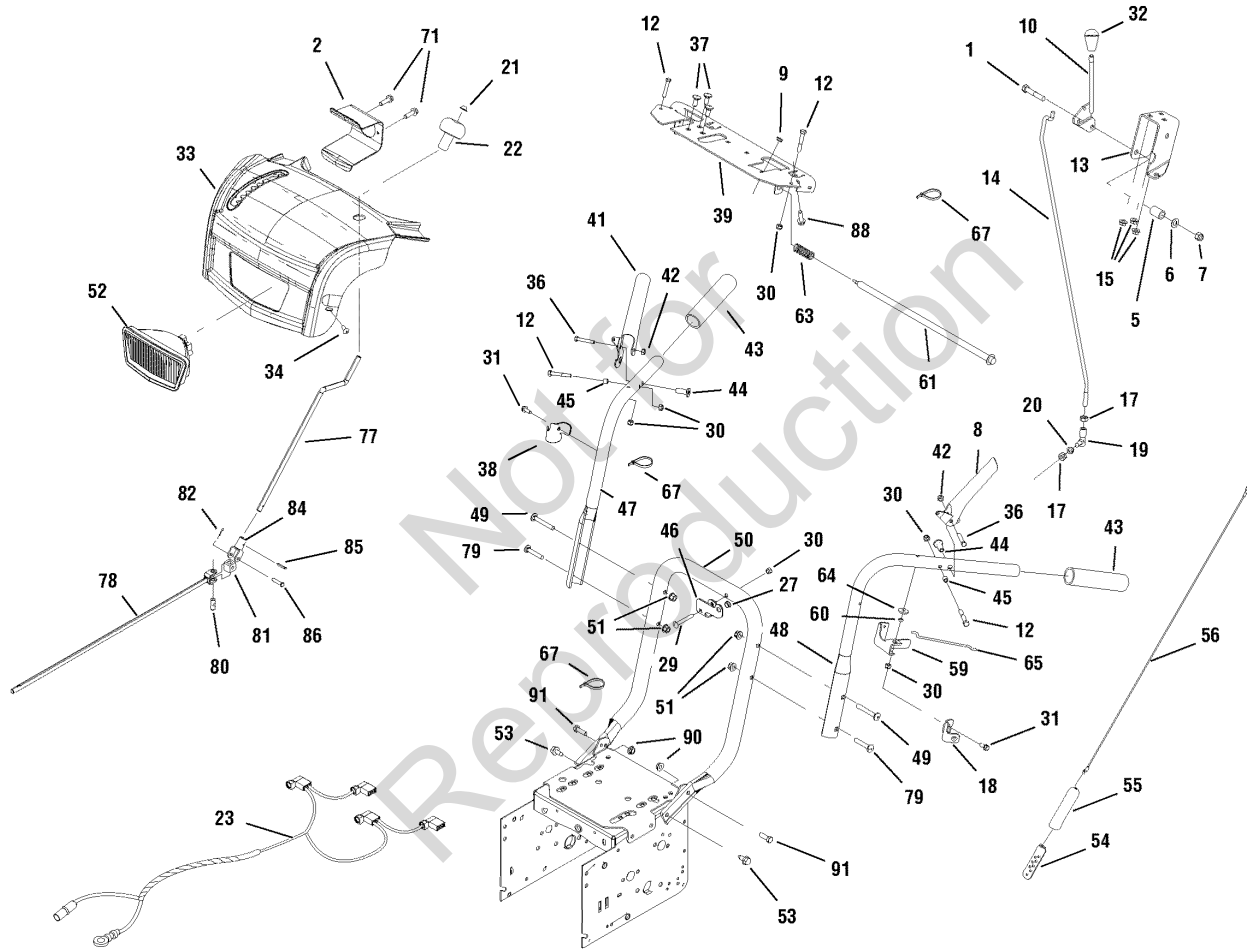
Footnotes

The above parts group applies to the following Mfg. Nos.:

1695575 - Brute 11.5 TP Snowthrower (2008)

Handle & Cover Panel Assembly

NOTE: Unless noted otherwise,
use the standard hardware torque
specification chart.

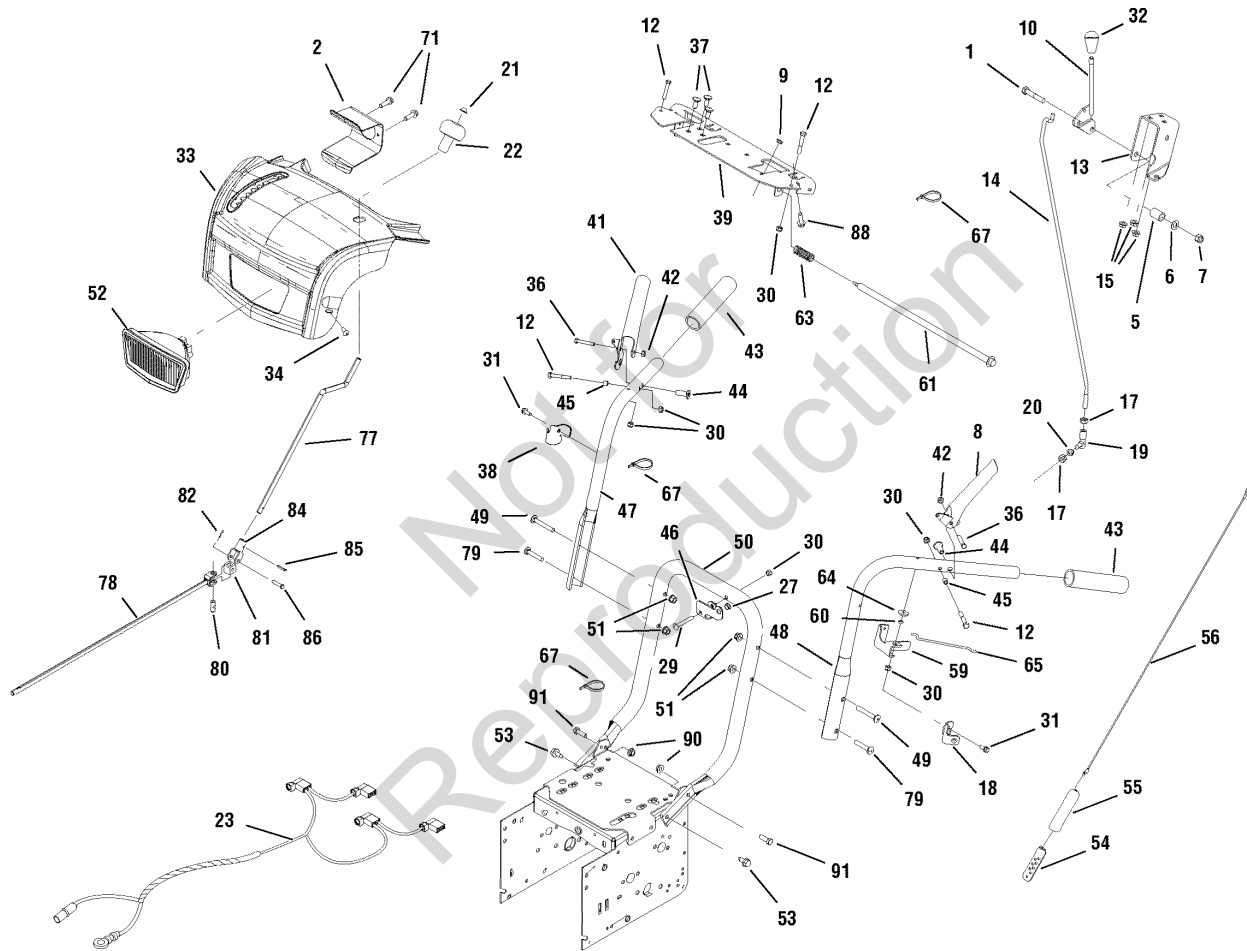


The above parts group applies to the following Mfg. Nos.:

1695575 - Brute 11.5 TP Snowthrower (2008)

Handle & Cover Panel Assembly

NOTE: Unless noted otherwise,
use the standard hardware torque
specification chart.



The above parts group applies to the following Mfg. Nos.:

1695575 - Brute 11.5 TP Snowthrower (2008)

Handle & Cover Panel Assembly

REF NO	PART NO.	QTY.	DESCRIPTION
53	1664847SM	2	SCREW-HEX WSHR HD TT .31-18x.75
54	313441MA	1	BRACKET-CABLE ADJ
55	308146MA	1	BOOT-CONTROL SPRING
56	1502113MA	1	CABLE-DRIVE
59	1733505ASM	1	BRACKET-FREE HAND CONTROL
60	1733095SM	1	SPACER-PWDR METAL YELLOW
61	1736363YP	1	ROD-FREE HAND CONTROL
63	2108360SM	1	SPRING-COMP.53x2.25 .059 WIRE
64	1960353SM	1	WASHER-.250.26x0.84x.12
65	1736360YP	1	ROD-HOLDDOWN
67	1701011SM	5	TIE-SELF LOCKING .184WDx7.31
71	316042MA	2	SCREW, 10 X .62
77	1735661YP	1	CRANK ROD
78	1735660YP	1	CHUTE, CRANK
79	1931338SM	2	BOLT-RD HD SH SO NK .312-18x1.75
80	578060MA	1	PIN, UNIVERSAL JOIINT
81	578063MA	1	HOUSING, UNIVERSAL
82	579493MA	1	PIN, COTTER
84	1733611SM	1	YOKE ADAPTER ASSEMBLY
85	1501293MA	2	PIN, HAIR
86	578309MA	2	PIN, CLEVIS
88	7091081SM	2	SCREW HEX HD, .25-15x. 75
90	1935048SM	2	NUT-HEX FLANGE .31-18 2-WAY LK
91	1921333SM	1	CAP SCREW-HEX .312-18x1.00

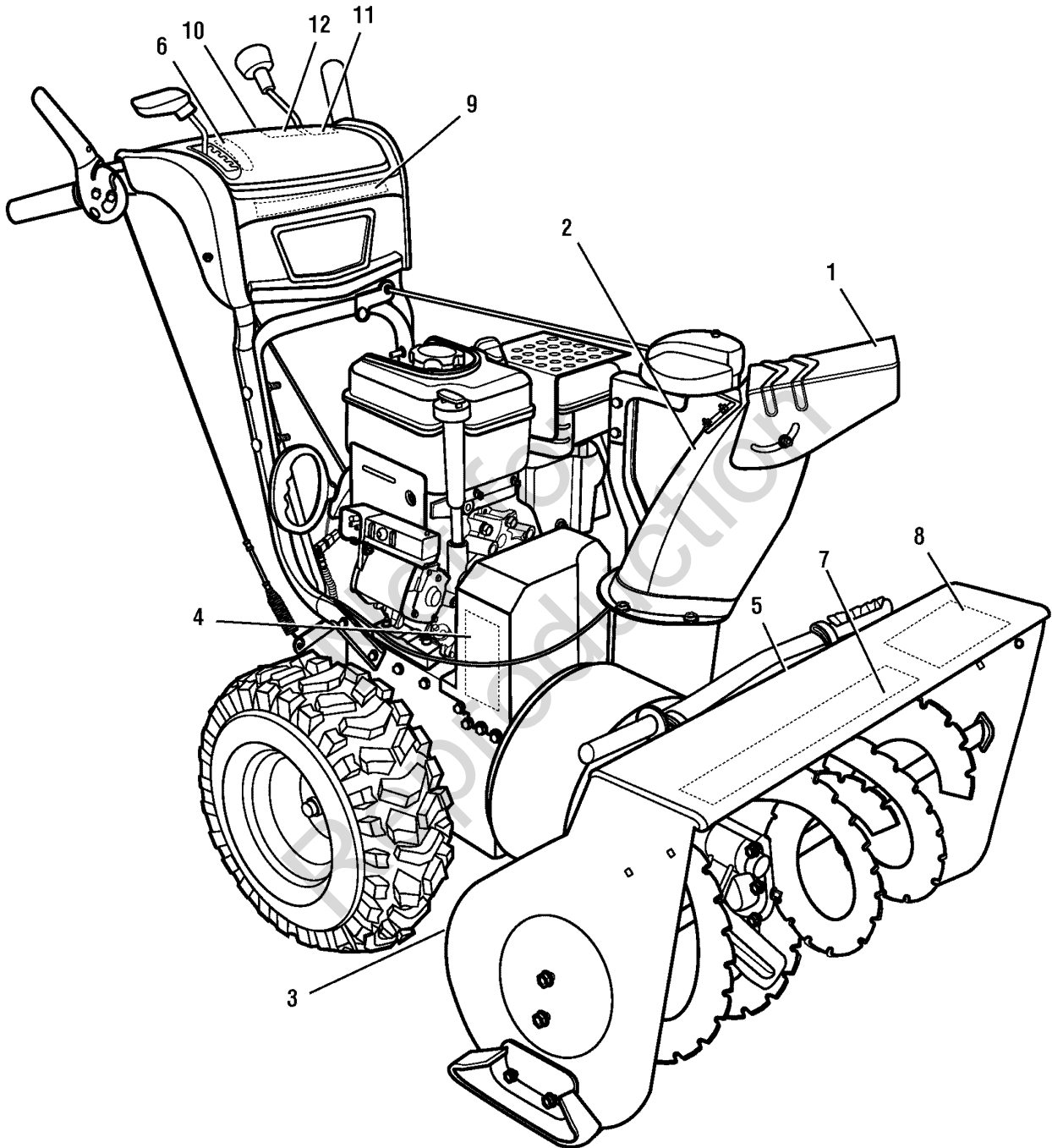
Footnotes

The above parts group applies to the following Mfg. Nos.:

1695575 - Brute 11.5 TP Snowthrower (2008)

Decals

NOTE: Unless noted otherwise,
use the standard hardware torque
specification chart.



The above parts group applies to the following Mfg. Nos.:

1695575 - Brute 11.5 TP Snowthrower (2008)

Decals

REF NO	PART NO.	QTY.	DESCRIPTION
1	1736328YP	1	DECAL, THOWN OBJECTS
2	1736897YP	1	DECAL, DANGER CHUTE
3	1740980MA	1	DECAL, ISO AUGER FR/EN
4	5131MA	1	DECAL, BELT STRETCH
5	48X5960MA	1	DECAL, THROWN OBJECTS
6	1736616YP	1	DECAL, SHIFT
7	1736650YP	1	DECAL, BRUTE AUGER
8	1736652YP	1	DECAL, BRUTE 27"
9	1736649YP	1	DECAL, BRUTE DASH
10	1737110YP	1	DECAL, LUBRICATION
11	1737169YP	1	DECAL, MAIN DASH
12	1737172YP	1	DECAL, DANGER WARNING

Not for
Reproduction

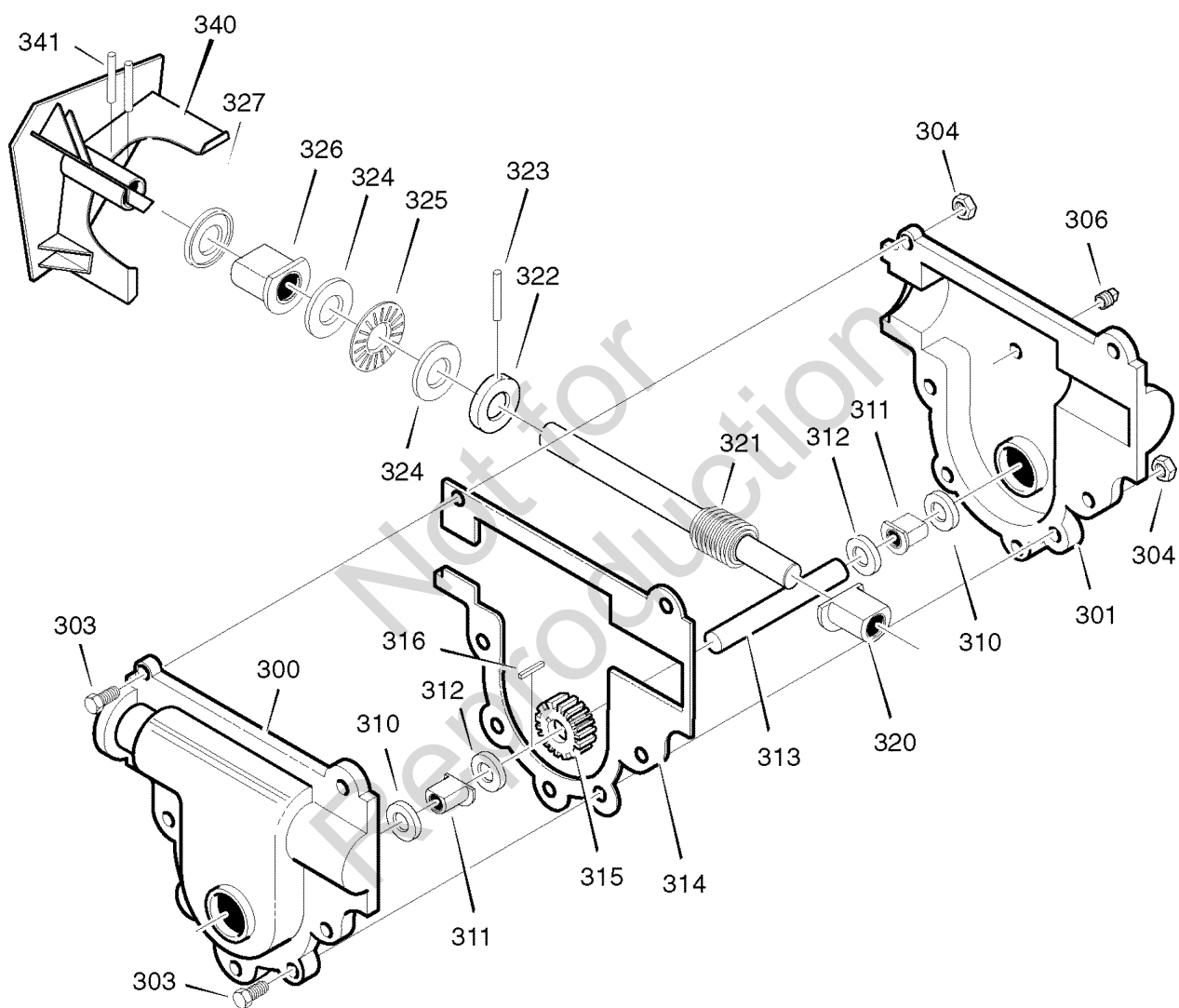
Footnotes

The above parts group applies to the following Mfg. Nos.:

1695575 - Brute 11.5 TP Snowthrower (2008)

Gear Case

NOTE: Unless noted otherwise,
use the standard hardware torque
specification chart.



The above parts group applies to the following Mfg. Nos.:

1695575 - Brute 11.5 TP Snowthrower (2008)

Gear Case

REF NO	PART NO.	QTY.	DESCRIPTION
300	10577MA	1	CASE, GEAR, RH
301	10576MA	1	CASE, GEAR, LH
303	710025MA	7	SCREW
304	15X143MA	7	NUT
306	9344MA	1	SCREW
310	9566MA	2	SEAL, OIL
311	50304MA	3	BEARING, FLANGE
312	48275MA	4	WASHER, FLAT
313	1501307MA	1	SHAFT, OUTPUT
314	51279MA	1	GASKET
315	51405MA	1	GEAR, WORM
316	431787MA	1	KEY, WOODRUFF
320	50221MA	3	BEARING, FLANGE
321	1501191MA	1	SHAFT, INPUT
322	580295MA	1	COLLAR, THRUST
323	454565MA	1	PIN, SPRING
324	48275MA	2	WASHER, FLAT
325	50684MA	1	BEARING, ROLL
326	50304MA	1	BEARING, FLANGE
327	9566MA	1	SEAL, OIL
340	1501188E701MA	1	IMPELLER ASSEMBLY
341	454565MA	2	PIN, SPRING
--	333431MA		10oz LUBRIPLATE (Not Illustrated)

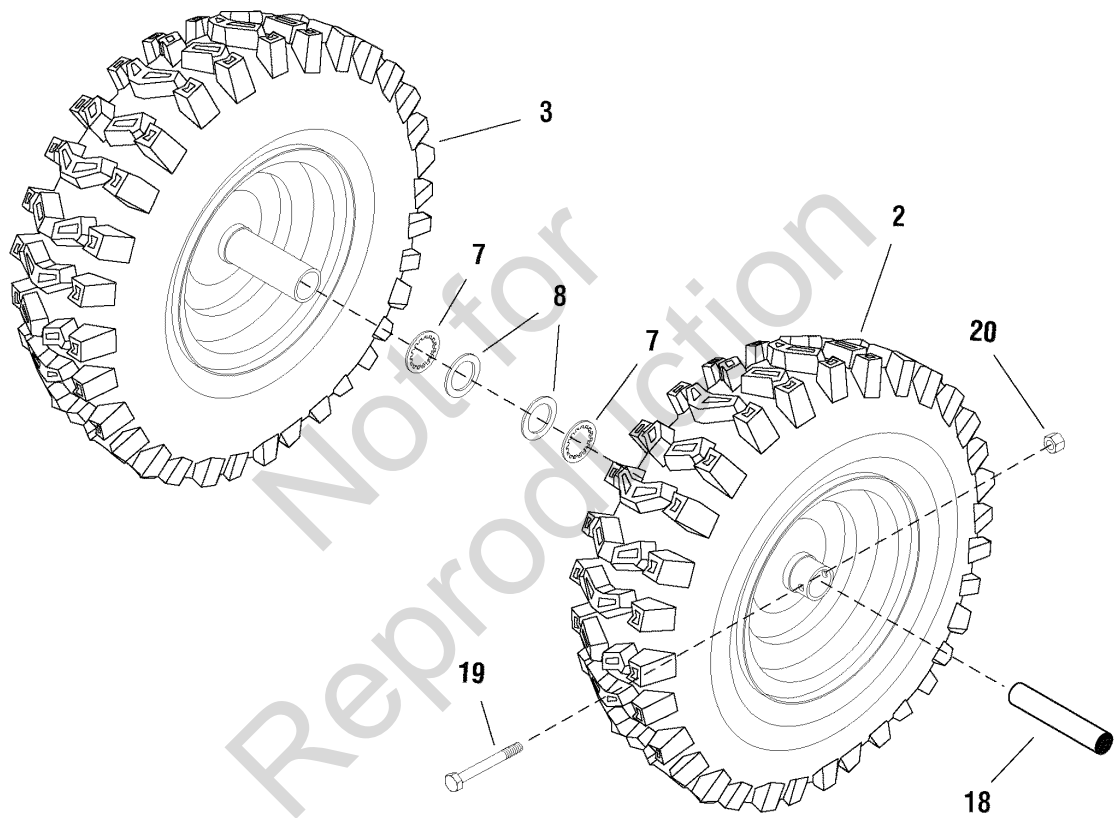
Footnotes

The above parts group applies to the following Mfg. Nos.:

1695575 - Brute 11.5 TP Snowthrower (2008)

Wheel and Tire Group

NOTE: Unless noted otherwise,
use the standard hardware torque
specification chart.



The above parts group applies to the following Mfg. Nos.:

1695575 - Brute 11.5 TP Snowthrower (2008)

Wheel and Tire Group

REF NO	PART NO.	QTY.	DESCRIPTION
2	1736724YP	1	WHEEL & TIRE ASSEMBLY, L.H. SNOW XTRAC 16 x 4.8-8
3	1736723YP	1	WHEEL & TIRE ASSEMBLY, R.H. SNOW XTRAC 16 x 4.8-8
7	1657528SM	2	RETAINER, Ring
8	712120MA	2	WASHER, Flat .765 x 1.12 x .06 YZ
18	1501138MA	2	BUSHING, WHEEL
19	577015MA	2	SCREW, 1/4-20 X 1.75 HH
20	15X145MA	2	NUT, 1/4-20 HEX NYLOCK

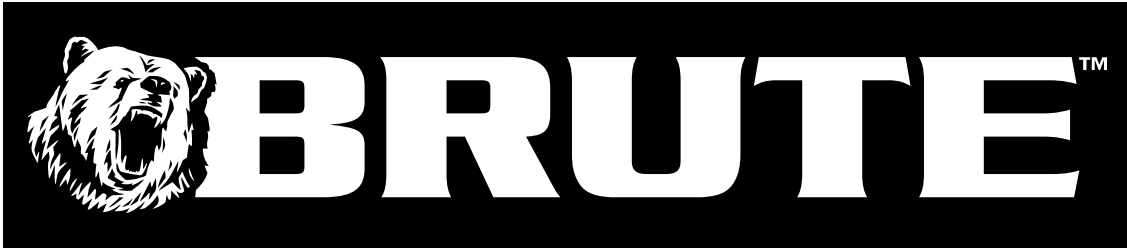
Not for
Reproduction

Footnotes

The above parts group applies to the following Mfg. Nos.:

1695575 - Brute 11.5 TP Snowthrower (2008)

Not for
Reproduction



Not for
Reproduction

BRUTE™ is a trademark of Briggs Stratton Yard Power Products.

Copyright© 2008 Briggs Stratton Power Products Group. All rights reserved. No part of this page can be reproduced or transmitted in any form by any means without the express written permission of Briggs Stratton Power Products Group.