



Illustrated Parts List

Model Series

20M100

TYPE NUMBERS
0133 thru 1416.

TABLE OF CONTENTS

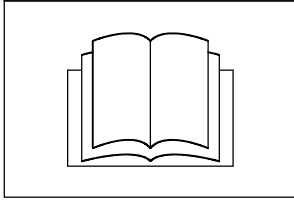
Alternator	9
Blower Housing/Shrouds	6, 7
Camshaft	2
Carburetor	4
Controls	8
Crankcase Cover	2
Crankshaft	2
Cylinder	2
Cylinder Head	3
Electric Starter	9
Exhaust System	5
Flywheel	7
Fuel Supply	9
Gasket Set - Engine	3
Gasket Set - Valve	3
Governor Spring	8
Ignition	9
Kit - Carburetor Overhaul	4
Lubrication	2
Operator's Manual	2
Piston/Rings/Connecting Rod	2
Rewind Starter	7
Valves	3
Warning Label	2



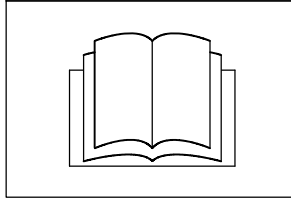
PRINTED IN U.S.A.

COPYRIGHT by BRIGGS & STRATTON CORPORATION
All rights reserved. No part of this material may be reproduced or transmitted, in any form or by any means, electronic or mechanical, including photocopying, recording or by any information storage and retrieval system, without permission in writing from Briggs & Stratton Corporation.

1058 OPERATOR'S MANUAL



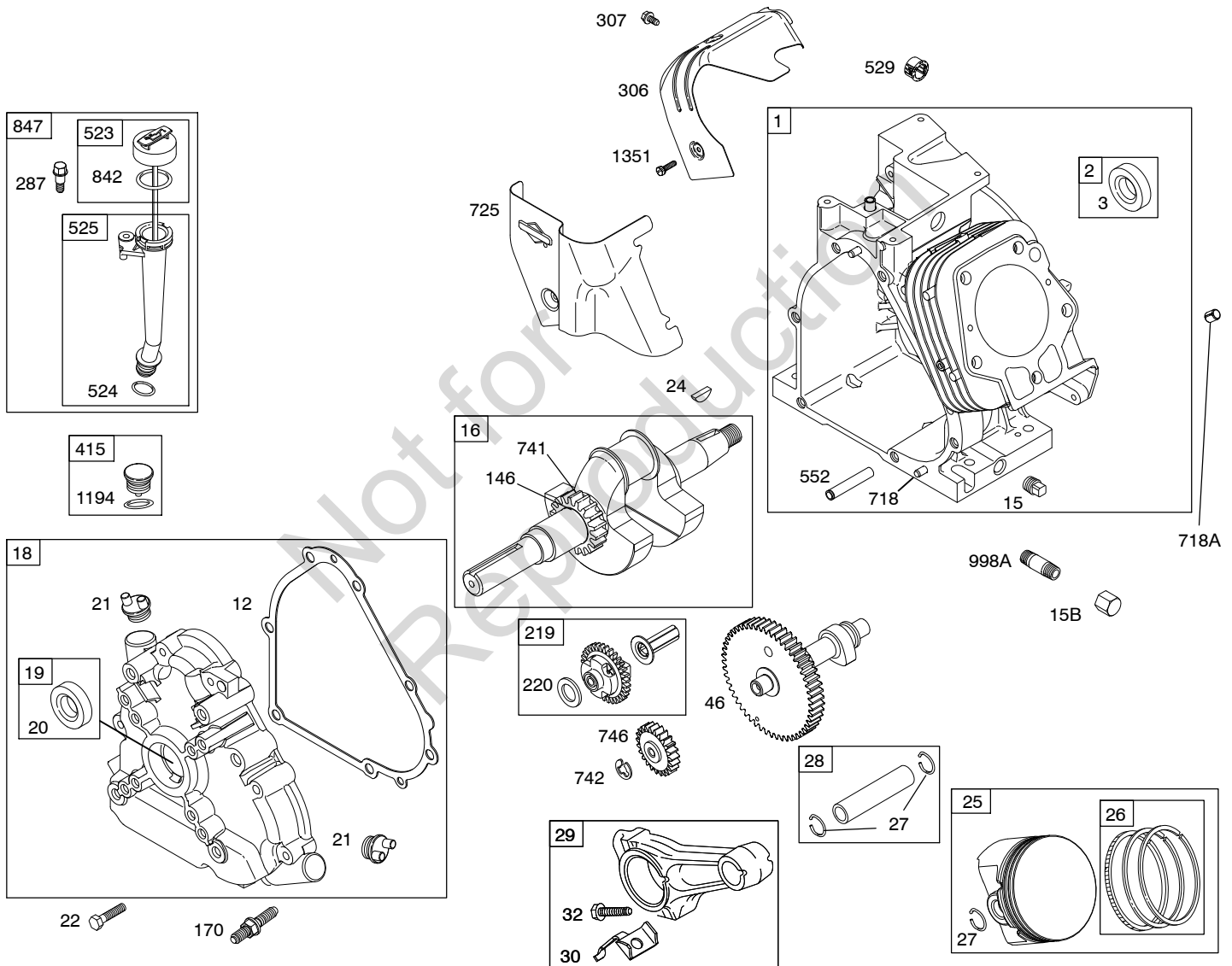
1330 REPAIR MANUAL



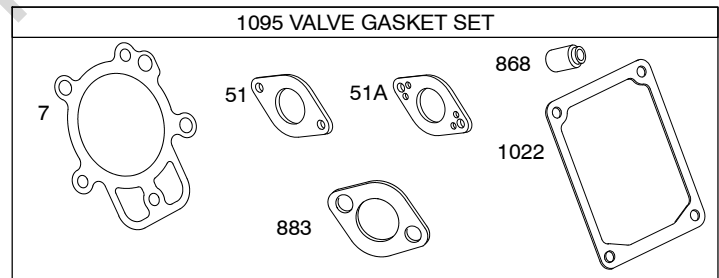
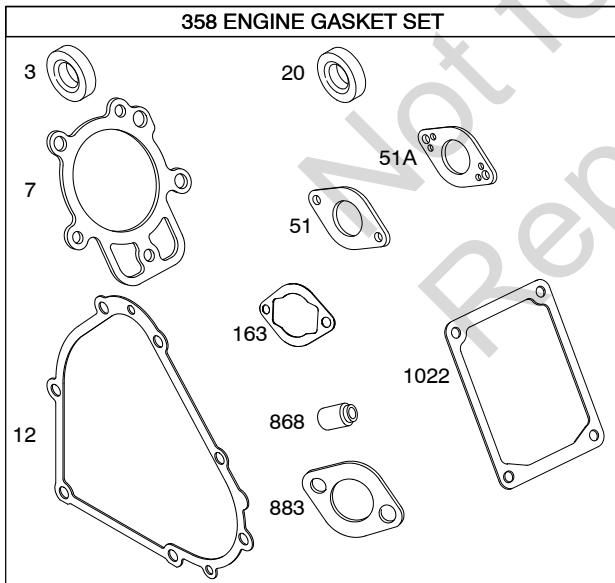
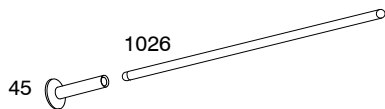
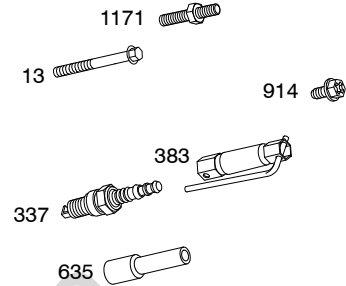
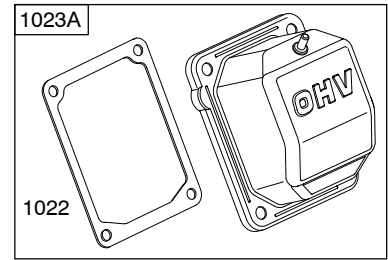
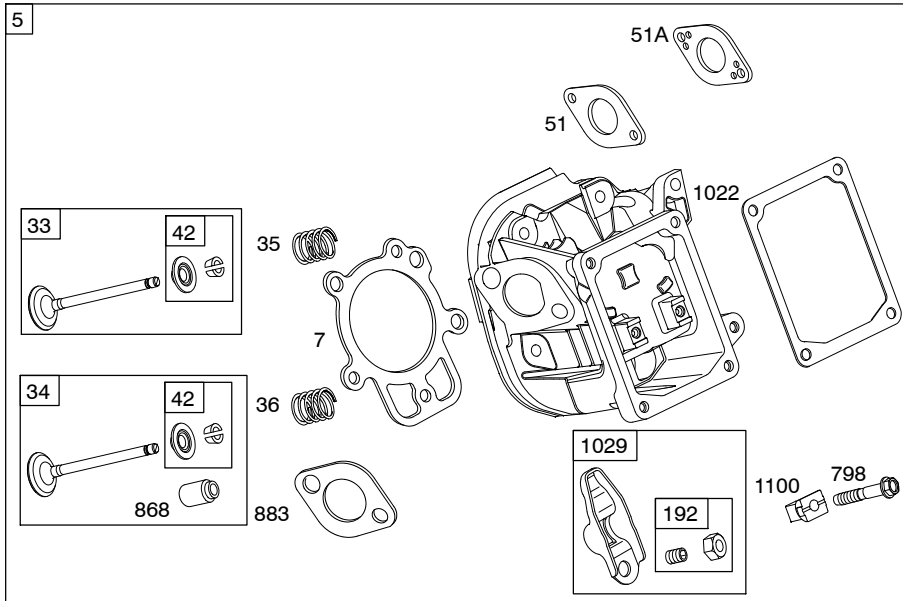
1319 WARNING LABEL

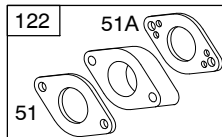
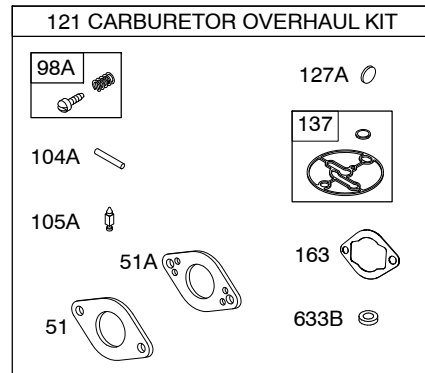
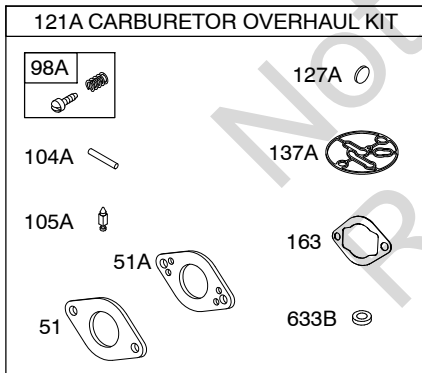
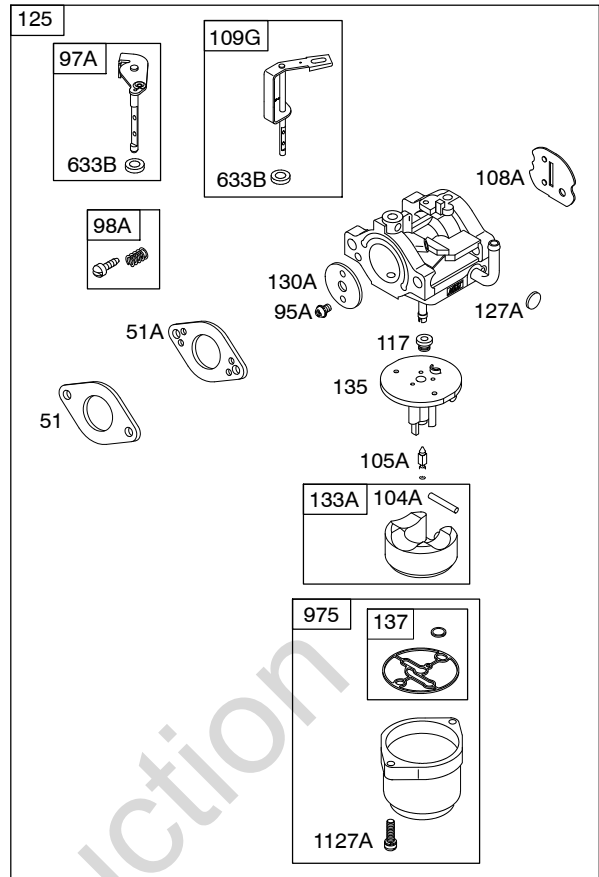
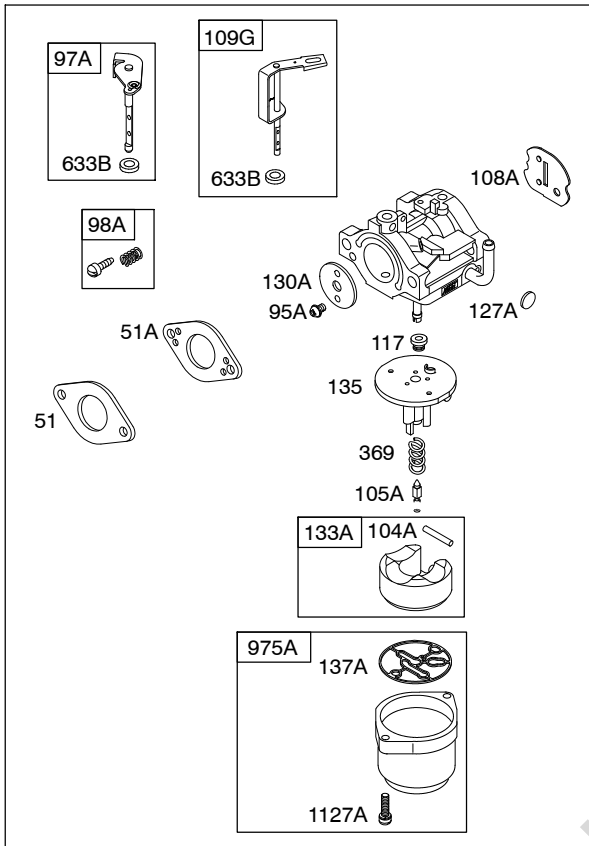
WARNING	
	Read and follow Operating Instructions before running engine.
	Gasoline is flammable. Allow engine to cool at least 2 minutes before refueling.
	Engines emit carbon monoxide, DO NOT run in enclosed area.
	Muffler area temperature may exceed 150°F. Do not touch hot parts.

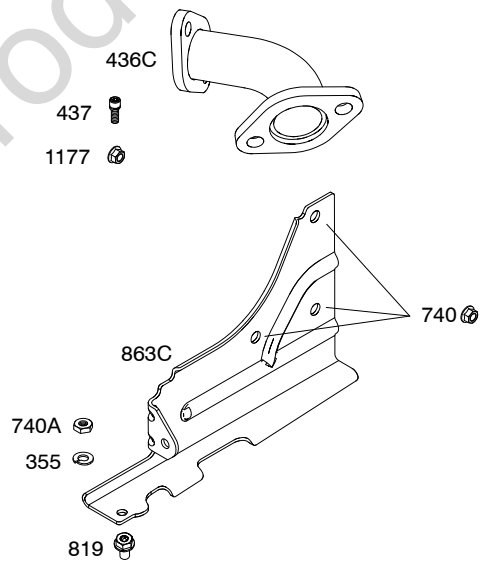
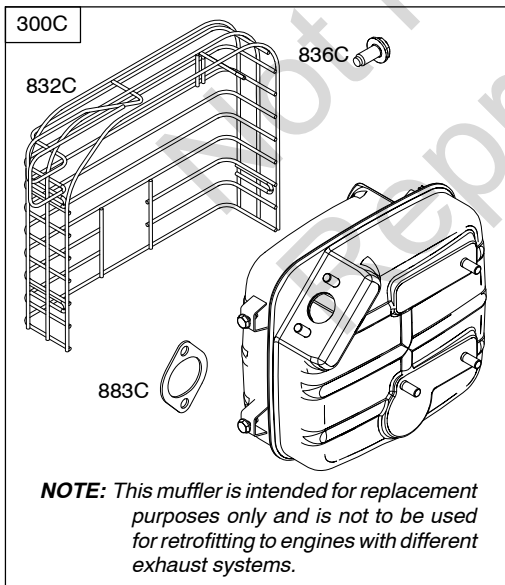
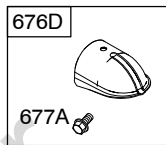
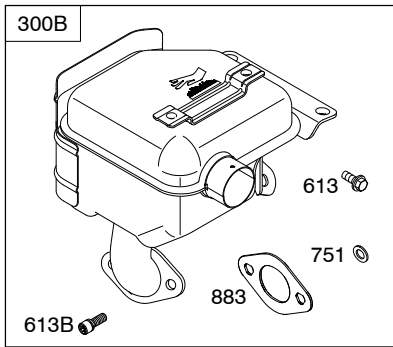
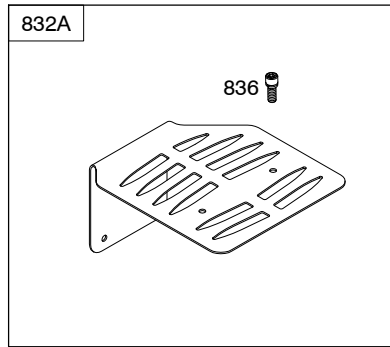
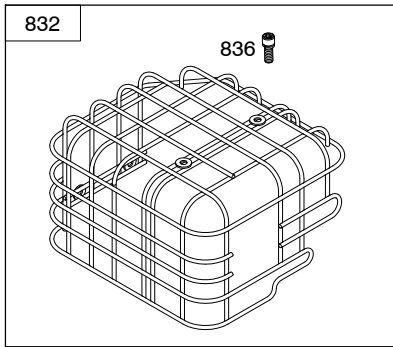
REQUIRED when replacing parts with warning labels affixed.



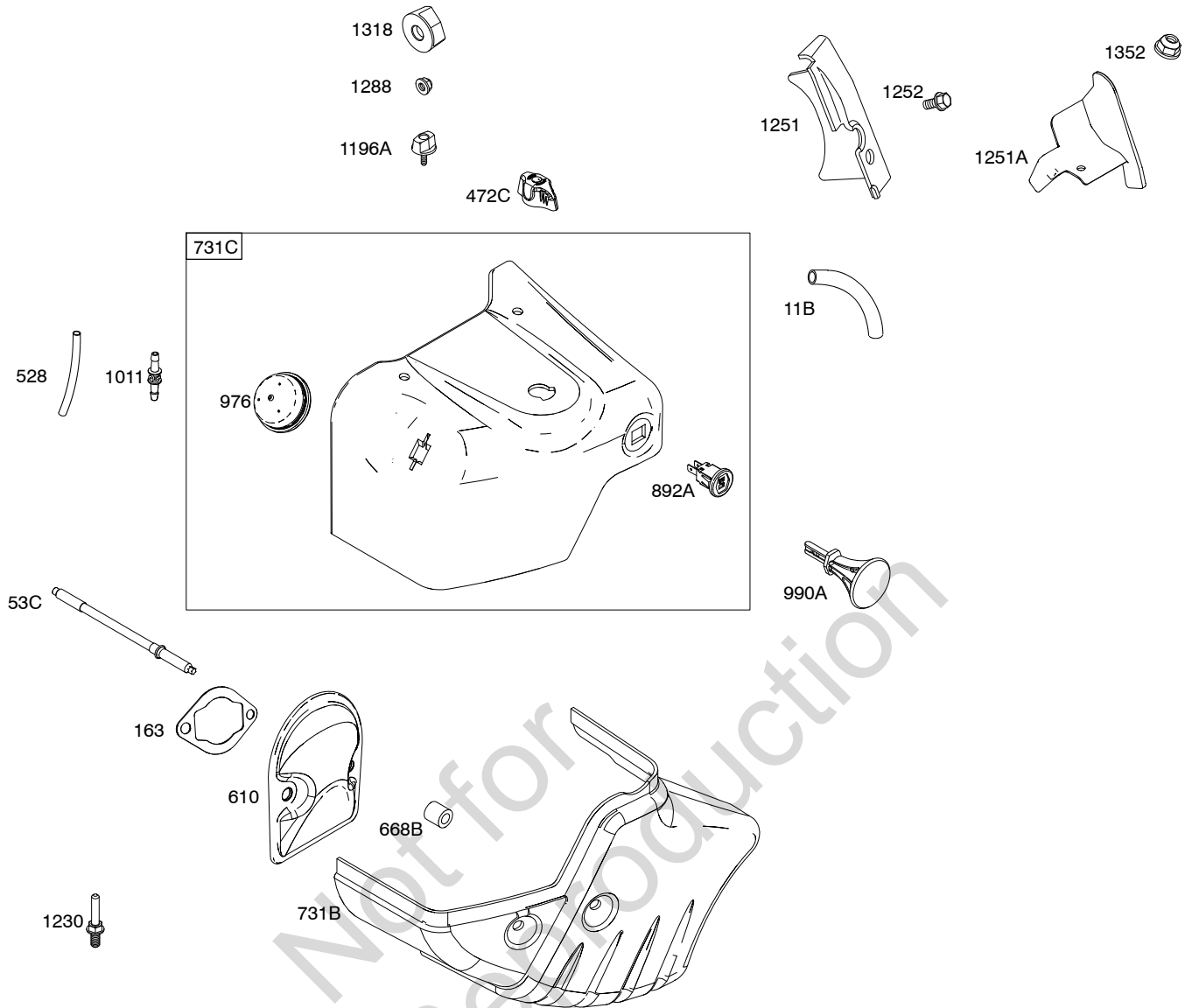
Illustrations cover a range of engines. Parts shown without corresponding text may not be used on your specific engine.
 4002-2 Assemblies include all parts shown in frames. 05/03/2010





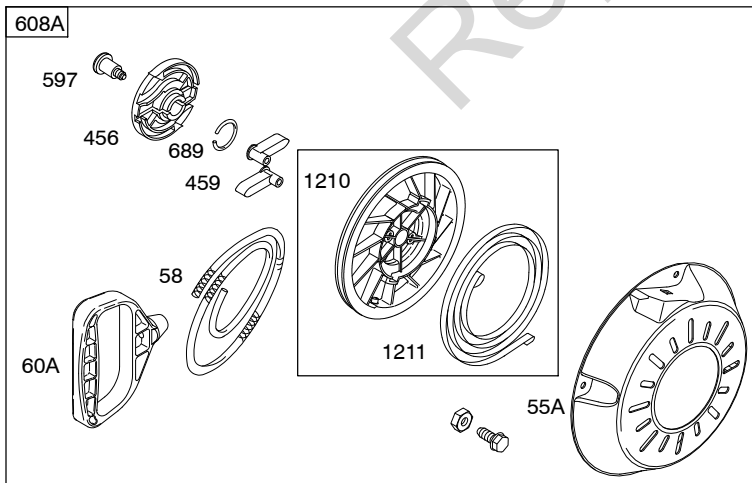
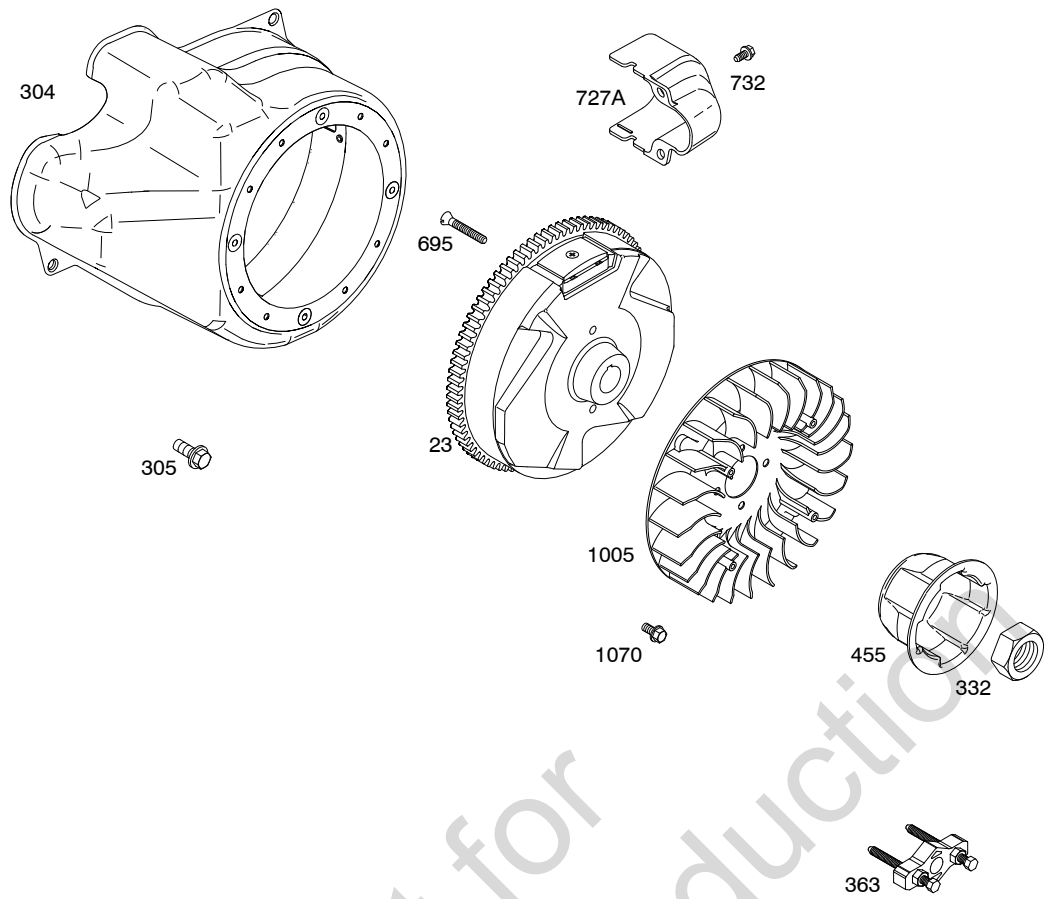


20M100

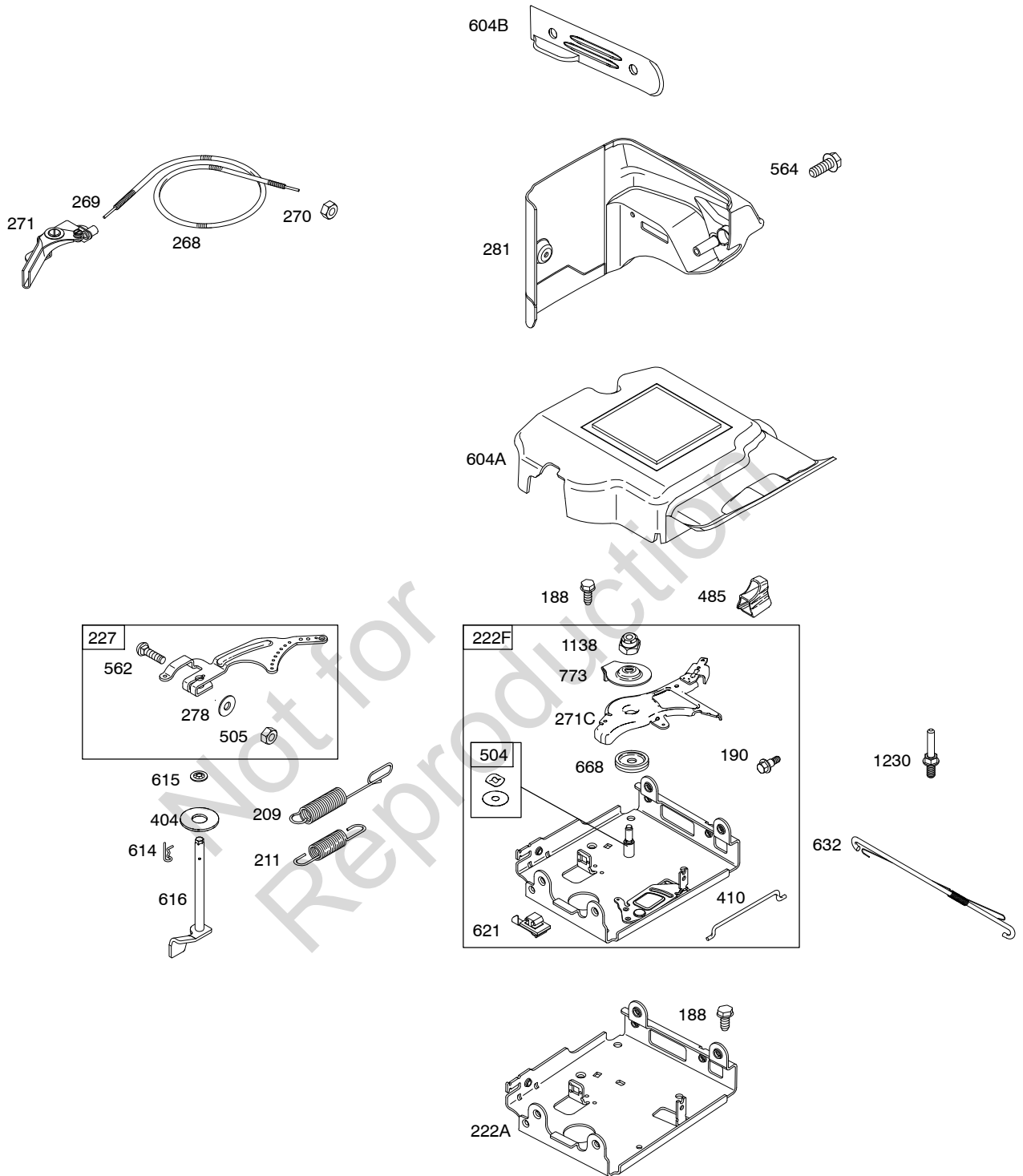


Illustrations cover a range of engines. Parts shown without corresponding text may not be used on your specific engine.



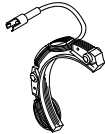
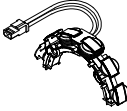




1036 EMISSIONS LABEL

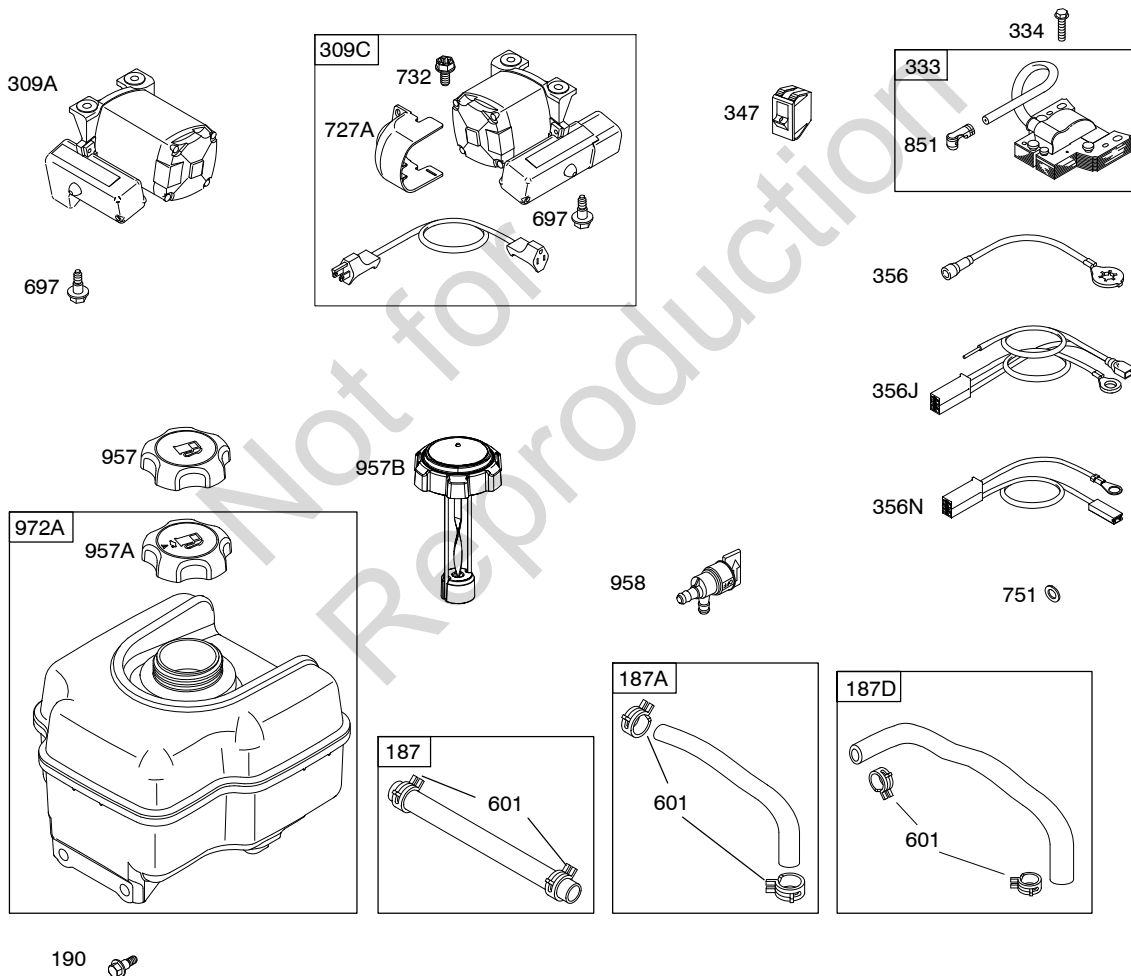


Illustrations cover a range of engines. Parts shown without corresponding text may not be used on your specific engine.
4002-7 Assemblies include all parts shown in frames. 05/03/2010



Illustrations cover a range of engines. Parts shown without corresponding text may not be used on your specific engine.
 4002-8 Assemblies include all parts shown in frames. 05/03/2010

DUAL CIRCUIT	DUAL CIRCUIT	DC ONLY	AC ONLY
474B 	474C 	474F 	474G 
<p>NOTE: All stators use a No. 1119 mounting screw. </p> <p>NOTE: The proper flywheel part number and/or the alternator magnet size will determine the alternator type or output. See repair instruction manual for additional information.</p>			
878 	578A 	1119 	



Illustrations cover a range of engines. Parts shown without corresponding text may not be used on your specific engine.
 4002-9 Assemblies include all parts shown in frames. 05/03/2010

20M100

REF. NO.	PART NO.	DESCRIPTION	REF. NO.	PART NO.	DESCRIPTION	REF. NO.	PART NO.	DESCRIPTION
1	794849	Cylinder Assembly	33	697576	Valve-Exhaust	121	796137	Kit-Carburetor
2	698340	Kit-Bushing/Seal (Magneto Side)	34	795199	Valve-Intake			Overhaul (Used After Code Date 08050600).
3	391086S	Seal-Oil (Magneto Side)	35	694865	Spring-Valve (Intake)	121A	696146	Kit-Carburetor Overhaul (Used Before Code Date 08050700).
5	794871	Head-Cylinder	36	694865	Spring-Valve (Exhaust)			
7	694872	Gasket-Cylinder Head	42	499586	Keeper-Valve			
11B	696750	Tube-Breather	45	690977	Tappet-Valve	122	796315	Spacer-Carburetor (Used After Code Date 08071600).
12	694953	Gasket-Crankcase	46	795697	Camshaft			
13	794829	Screw (Cylinder Head)	51	694874	Gasket-Intake			
15	691686	Plug-Oil Drain	51A	694875	Gasket-Intake			
15B	695757	Plug-Oil Drain	53C	795017	Stud (Carburetor)			----- Note ----- 694876 Spacer- Carburetor (Used Before Code Date 08071700).
16	794720	Crankshaft	55A	696710	Housing-Rewind Starter			
		----- Note ----- 795079 Crankshaft Used on Type No(s). 0541, 0615, 0636, 0671.	58	693389	Rope-Starter (Cut To Required Length)	125	796122	Carburetor
18	791965	Cover-Crankcase	60A	699334	Grip-Starter Rope	127A	690727	Plug-Welch
19	698340	Kit-Bushing/Seal (PTO Side)	65	699851	Screw (Rewind Starter)	130A	696139	Valve-Throttle
20	391086S	Seal-Oil (PTO Side)	95A	690718	Screw (Throttle Valve)	133A	694914	Float-Carburetor
21	281658S	Cap-Oil Fill	97A	696387	Shaft-Throttle	135	698780	Tube-Fuel Transfer (Used After Code Date 08050600).
22	794825	Screw (Crankcase Cover/Sump)	98A	695408	Kit-Idle Speed			----- Note ----- 696142 Tube-Fuel Transfer (Used Before Code Date 08050700).
23	794812	Flywheel	104A	694918	Pin-Float Hinge	137	698781	Gasket-Float Bowl (Used After Code Date 08050600).
24	222698S	Key-Flywheel	105A	696136	Valve-Float Needle			
25	792117	Piston Assembly (Standard)	108A	696143	Valve-Choke	137A	695426	Gasket-Float Bowl (Used Before Code Date 08050700).
		----- Note ----- 792144 Piston Assembly (.020" Oversize)	109G	793520	Shaft-Choke			
26	793561	Ring Set (Standard)	117	796080	Jet-Main (Standard) (Used After Code Date 08050600).	146	690979	Key-Timing
		----- Note ----- 792073 Ring Set (.020" Oversize)			----- Note ----- 696134 Jet-Main (Standard) (Used Before Code Date 08050700).	163	692277	Gasket-Air Cleaner
27	690975	Lock-Piston Pin	118	796128	Jet-Main (High Altitude) (Used After Code Date 08050600).	170	794833	Stud (Crankcase Cover/Sump)
28	696581	Pin-Piston			----- Note ----- 696135 Jet-Main (High Altitude) (Used Before Code Date 08050700).	187	791766	Line-Fuel (15 Inches Long) (Cut To Required Length)
29	694691	Rod-Connecting				187A	791869	Line-Fuel
30	694692	Dipper-Connecting Rod				187D	791879	Line-Fuel
32	690976	Screw (Connecting Rod)				188	699479	Screw (Control Bracket)
						190	699220	Screw (Fuel Tank)

Illustrations cover a range of engines. Parts shown without corresponding text may not be used on your specific engine.

REF. NO.	PART NO.	DESCRIPTION	REF. NO.	PART NO.	DESCRIPTION	REF. NO.	PART NO.	DESCRIPTION
192	690083	Adjuster-Rocker Arm	281	697268	Panel-Control	347	795333	Switch-Rocker
209	695491	Spring-Governor	287	699629	Screw (Dipstick Tube)			----- Note -----
		----- Note -----						795333 Switch-Rocker
		694867 Spring-Governor	300B	794948	Muffler			(Used After Code Date 07093000).
		Used on Type No(s). 0141, 0143, 1357, 1358, 1361, 1364, 1416.	300C	793701	Muffler (This muffler is intended for replacement purposes only and is not to be used for retrofitting to engines with different exhaust systems)			Used on Type No(s). 0541.
211	695307	Spring-Governed Idle Used on Type No(s). 0141, 0143, 1357, 1358, 1361, 1364, 1416.	304	795699	Housing-Blower	355	794842	Washer (Muffler Bracket)
219	693578	Gear-Governor	305	699481	Screw (Blower Housing)	356	692603	Wire-Stop
220	691724	Washer (Governor Gear)	306	697240	Shield-Cylinder	356J	793206	Wire-Stop
222A	794801	Bracket-Control	307	794822	Screw (Cylinder Shield)	356N	798847	Wire-Stop
222F	794800	Bracket-Control Used on Type No(s). 0141, 0143, 1357, 1358, 1361, 1364, 1416.	309A	795909	Motor-Starter ----- Note -----	358	795201	Gasket Set-Engine
					792157 Motor-Starter	363	19203	Puller-Flywheel
					Used on Type No(s). 0541, 0730, 0922, 1214.	369	695422	Spring-Float Bowl (Used Before Code Date 08050700).
227	694864	Lever-Governor Control	309C	698311	Motor-Starter Used on Type No(s). 0139, 0140.	383	19576S	Wrench-Spark Plug
268	691025	Casing-Control Wire (Cut To Required Length)				404	795759	Washer (Governor Crank)
269	691026	Wire-Control (Cut To Required Length)	332	794824	Nut (Flywheel)	410	695382	Link-Control
270	691027	Nut (Control Wire Casing)	333	798853	Armature-Magneto	415	691363	Plug
271	691028	Lever-Control	334	699477	Screw (Magneto Armature)	436C	792374	Manifold-Exhaust
271C	797554	Lever-Control	337	491055S	Plug-Spark	437	794844	Screw (Exhaust Manifold)
278	798196	Washer (Governor Control Lever) (Used After Code Date 09101800).			----- Note -----	455	795011	Cup-Flywheel
		----- Note -----			691043 Plug-Spark	456	692299	Plate-Pawl Friction
		792008 Washer (Governor Control Lever) (Used Before Code Date 09101900).			Used on Type No(s). 0133, 0134, 0136, 0138, 0139, 0141, 0541, 0730, 0922, 0937, 1214, 1358, 1361, 1364, 1416.	459	281505S	Pawl-Ratchet
					793541 Plug-Spark Used on Type No(s). 0135, 0140, 0143, 1357.	472C	791948	Knob-Choke Shaft
						474B	793118	Alternator Used on Type No(s). 0615, 0671, 1364.
						474C	698314	Alternator Used on Type No(s). 0139, 0140.
						474G	797090	Alternator Used on Type No(s). 0138, 0141, 0143.
						474F	793640	Alternator

Illustrations cover a range of engines. Parts shown without corresponding text may not be used on your specific engine.

20M100

REF. NO.	PART NO.	DESCRIPTION	REF. NO.	PART NO.	DESCRIPTION	REF. NO.	PART NO.	DESCRIPTION
485	695755	Knob-Control Used on Type No(s). 0141, 0143, 1357, 1358, 1361, 1364, 1416.	601	791850	Clamp-Hose	740	710090	Nut (Muffler Bracket)
504	695383	Washer Set-Friction	604A	696758	Cover-Control	740A	794843	Nut (Muffler Bracket)
505	793515	Nut (Governor Control Lever) (Used After Code Date 09101800). ----- Note ----- 691251 Nut (Governor Control Lever) (Used Before Code Date 09101900).	604B	790473	Cover-Control	741	691288	Gear-Timing
523	790477	Dipstick ----- Note ----- 695344 Dipstick Used on Type No(s). 0143, 1357.	608A	699335	Starter-Rewind	742	692564	Retainer-E Ring
524	691876	Seal-Dipstick Tube	610	794541	Arrester-Intake	746	694679	Gear-Idler
525	792041	Tube-Dipstick ----- Note ----- 695343 Tube-Dipstick Used on Type No(s). 0143, 1357.	613	794846	Screw (Muffler)	751	794839	Washer (Stop Wire)
528	793006	Hose-Primer (Cut to Required Length)	613B	794844	Screw (Muffler)	773	694258	Retainer
529	791822	Grommet	614	691620	Pin-Cotter (Governor Crank)	798	697890	Screw (Rocker Arm)
552	694674	Bushing-Governor Crank	615	694676	Retainer-Governor Shaft (Governor Gear) (Used Before Code Date 08021500).	819	794832	Screw (Muffler Bracket)
562	798197	Bolt (Governor Control Lever) (Used After Code Date 09101800). ----- Note ----- 793216 Bolt (Governor Control Lever) (Used Before Code Date 09101900).	616	795758	Crank-Governor	832	796384	Guard Muffler
564	699854	Screw (Control Cover)	621	692310	Switch-Stop Used on Type No(s). 0141, 0143, 1357, 1358, 1361, 1364, 1416.	832A	797095	Guard Muffler Used on Type No(s). 0138, 0139, 0140, 0141, 0143, 1357.
578A	792576	Wire Assembly	632	695917	Spring/Link- Mechanical Governor	832C	792380	Guard-Muffler
597	691696	Screw (Pawl Friction Plate)	633B	690998	Seal-Choke/Throttle Shaft	836	699234	Screw (Muffler Guard)
			635	691909	Boot-Spark Plug (Alternator)	836C	710023	Screw (Muffler Guard)
			668	694257	Spacer (Control Bracket)	842	691031	Seal-O Ring (Dipstick Tube)
			668B	794539	Spacer (Snow Hood)	847	790476	Dipstick/Tube Assembly ----- Note ----- 695342 Dipstick/Tube Assembly Used on Type No(s). 0143, 1357.
			676D	794213	Deflector-Muffler	851	692424	Terminal-Spark Plug
			677A	699776	Screw (Muffler Deflector)	863C	793700	Bracket-Muffler
			689	691855	Spring-Friction	868	794086	Seal-Valve
			695	698807	Screw (Ring Gear)	878	398661	Wire/Connector- Alternator
			697	795012	Screw (Drive Cap)	883	695398	Gasket-Exhaust
			718	690959	Pin-Locating (Cylinder)	883C	710250	Gasket-Exhaust
			718A	695178	Pin-Locating (Head)	892A	791944	Switch-Key
			725	696756	Shield-Heat	914	794827	Screw (Rocker Cover)
			727A	697465	Cover-Starter Drive	930	696709	Guard-Rewind
			731B	794540	Hood-Snow	957	795027	Cap-Fuel Tank (Plastic)
			731C	793621	Hood-Snow	957A	792647	Cap-Fuel Tank (Plastic) (Fresh Start)
			732	699200	Screw (Starter Drive Cover)			

Illustrations cover a range of engines. Parts shown without corresponding text may not be used on your specific engine.

REF. NO.	PART NO.	DESCRIPTION	REF. NO.	PART NO.	DESCRIPTION	REF. NO.	PART NO.	DESCRIPTION
957B	698109	Cap-Fuel Tank (Plastic) Used on Type No(s). 0143, 1357.	1005	794815	Fan-Flywheel	1194	691876	Seal-O Ring (Plug)
958	698180	Valve-Fuel Shut Off (Plastic)	1011	794544	Tube-Vent	1196A	696692	Screw (Snow Hood)
972A	694260	Tank-Fuel (Plastic)	1022	690971	Gasket-Rocker Cover	1210	498144	Pulley/Spring Assembly (Pulley)
975	698783	Bowl-Float (Used After Code Date 08050600).	1023A	698042	Cover-Rocker	1211	498144	Pulley/Spring Assembly (Spring)
975A	696138	Bowl-Float (Used Before Code Date 08050700).	1026	695177	Rod-Push	1230	699847	Stud (Control Bracket)
976	793382	Primer-Carburetor	1029	690972	Arm-Rocker	1251	696762	Shield-Snow
990A	794696	Key Set	1036		Label-Emissions (Available From A Briggs & Stratton Authorized Dealer)	1251A	790471	Shield-Snow
998A	696683	Pipe-Oil ----- Note ----- 792928 Pipe-Oil Used on Type No(s). 0537, 0650, 0730, 0922, 0937, 1214, 1357, 1358, 1361, 1364, 1416.	1058	279128	Manual-Operator's	1252	699481	Screw (Snow Shield)
			1070	794821	Screw (Flywheel Fan)	1288	794838	Nut (Snow Hood)
			1095	795200	Gasket Set-Valve	1318	698111	Knob-Snow Hood
			1100	791959	Pivot-Rocker Arm	1319	794467	Label-Warning
			1119	699772	Screw (Alternator)	1330	276781	Repair Manual
			1127A	695407	Screw (Float Bowl)	1351	794847	Stud (Cylinder Shield)
			1138	694255	Nut (Control Bracket)	1352	795016	Nut (Spark Plug Shield)
			1171	794828	Stud (Rocker Cover)			
			1177	710090	Nut (Muffler)			

Illustrations cover a range of engines. Parts shown without corresponding text may not be used on your specific engine.

Not for
Reproduction

Not for
Reproduction

Not for
Reproduction

