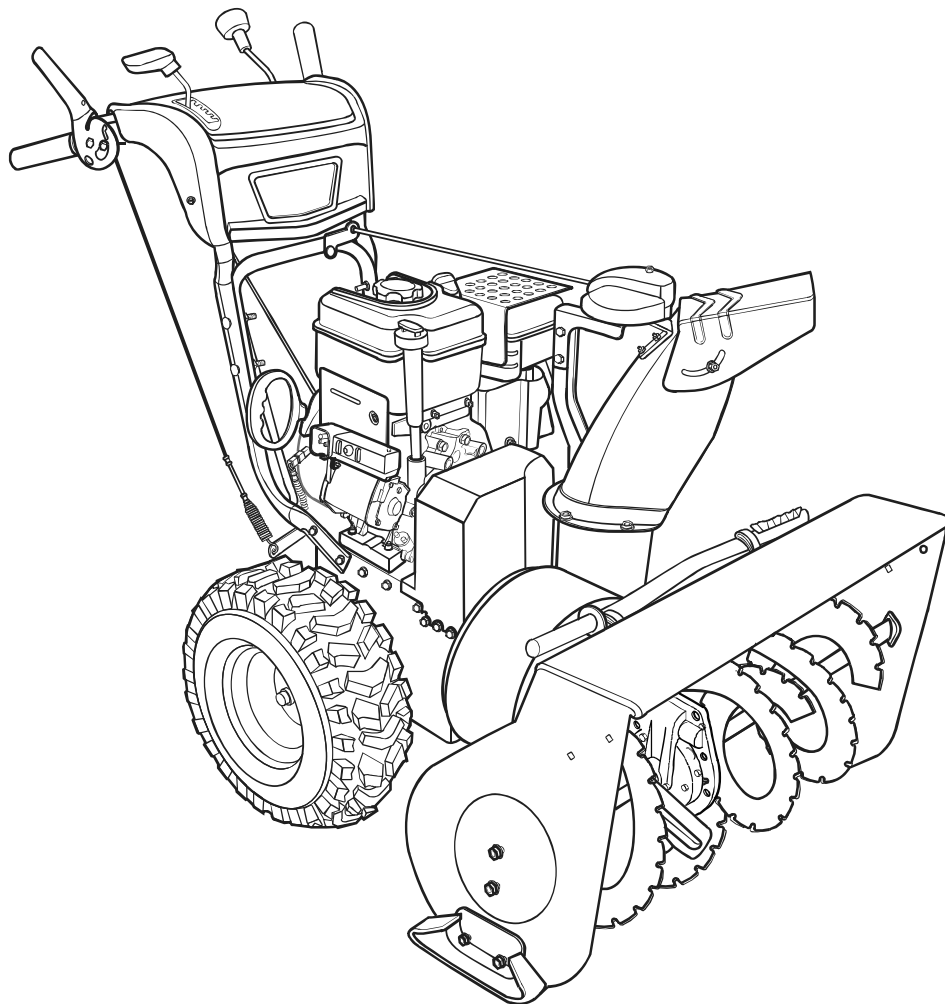


1695724

Parts Manual



Manual Part No. 1739525

Revision -

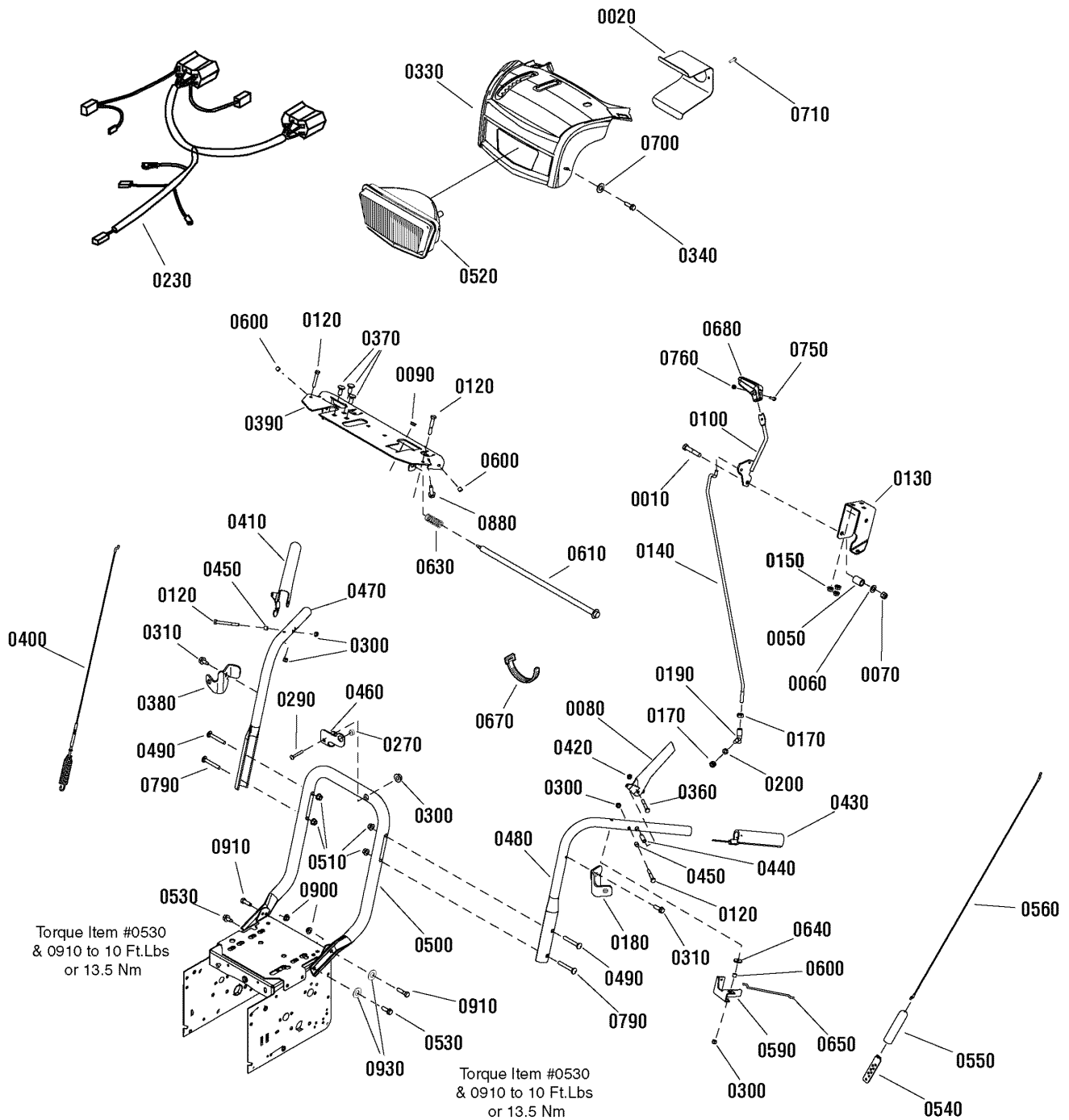
Rev. Date: 9/21/2009

PRODUCT COMPONENTS	PAGES
Handles and Controls Group	4
Engine & Frame Group	8
Auger Housing Assembly	10
Auger Drive Group	12
Traction Drive	14
Wheels and Tires Group	16
Decals	18
Discharge Chute Group	20
Torque Specification Chart	Inside Back Cover

Not for
Reproduction

Handles and Controls Group

NOTE: Unless noted otherwise,
use the standard hardware torque
specification chart.



The above parts group applies to the following Mfg. Nos.:

1695724 - Brute 11.5 TP Snowthrower (2009)

Handles and Controls Group

REF NO	PART NO.	QTY.	DESCRIPTION
0010	1923701SM	1	CAPSCREW, Hex Head, 3/8-16 x 2
0020	1736305AYP	1	BRACKET, Light Mount
0050	50786MA	1	SPRING, 3/4
0060	1918266SM	1	WASHER, 3/8
0070	1919439SM	1	NUT, Hex Lock, Esna Light, 3/8-16
0080	1737690YP	1	LEVER, Clutch, Left
0090	1667588SM	1	BUSHING
0100	1736836YP	1	SPEED LEVER
0120	1921962SM	4	CAPSCREW, Hex Head, 1/4-20 x 1-3/4
0130	1737684YP	1	BRACKET, Controls
0140	1734354SM	1	ROD, 25 Inch
0150	1931277SM	3	NUT, Hex Flange, Whiz Lock, 5/16-18
0170	2820263SM	2	NUT, Hex, 5/16-24
0180	1736147YP	1	BRACKET, Mounting, Panel, Left
0190	50782MA	1	BALLJOINT, Steel
0200	1917356SM	1	LOCKWASHER, Spring, 5/16
0230	1738286YP	1	WIRE HARNESS, Headlights
0270	1501874MA	1	BUSHING, Chute Crank
0290	1931323SM	1	BOLT, Carriage, 1/4-20 x 2 (Grade 5)
0300	1920397SM	5	NUT, Hex Lock, Esna Light, 1/4-20
0310	1927429SM	2	SCREW, Hex Washer Head, Taptite, 1/4-20 x 5/8
0330	1736346YP	1	COVER ASSEMBLY, Panel
0340	1960556SM	2	SCREW, Pan Head, Torx, 1/4-20 x 3/4
0360	1922837SM	2	CAPSCREW, Hex Head, 1/4-20 x 1-1/2 (Grade 5)
0370	340720MA	3	BOLT, Carriage, 5/16-18 x 3/4
0380	1736354YP	1	BRACKET, Mounting, Panel, Right
0390	1737685AYP	1	SUPPORT, Dash Panel
0400	1732471SM	1	ASSEMBLY, Cable and Spring, Auger Drive, Right
0410	1736323YP	1	LEVER, Clutch, Right
0420	1923358SM	2	NUT, Hex Centerlock, 1/4-20
0430	1726317SM	2	GRIP
0440	1736542YP	2	SPACER, Stepped
0450	1678392SM	2	SPACER
0460	1735589YP	1	BRACKET, Rod Support
0470	1734587ASM	1	HANDLE, Upper, Right
0480	1734586ASM	1	HANDLE, Upper, Left
0490	1960273SM	2	BOLT, Carriage, 5/16-18 x 2-1/2 (Grade 5)
0500	1737759AYP	1	HANDLE, Lower
0510	1960686SM	4	NUT, Hex Flange, Esna, 5/16-18
0520	1736208YP	1	HEAD LIGHT ASSEMBLY
0530	1664847SM	2	SCREW, Hex Washer Head, Taptite, 5/16-18 x 3/4
0540	313441MA	1	BRACKET, Cable Adjusting

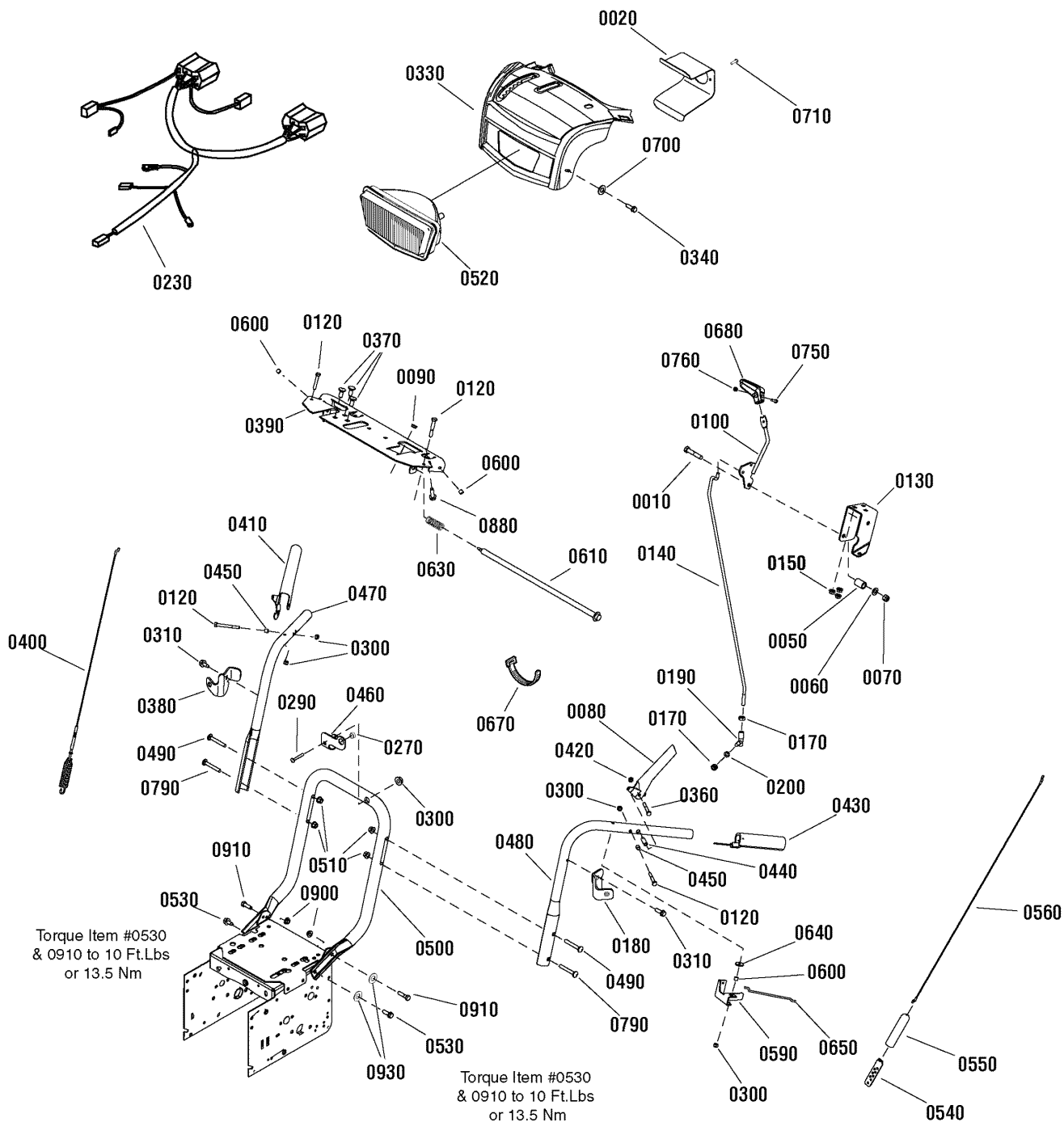
Footnotes

The above parts group applies to the following Mfg. Nos.:

1695724 - Brute 11.5 TP Snowthrower (2009)

Handles and Controls Group

NOTE: Unless noted otherwise, use the standard hardware torque specification chart.



The above parts group applies to the following Mfg. Nos.:
1695724 - Brute 11.5 TP Snowthrower (2009)

Handles and Controls Group

REF NO	PART NO.	QTY.	DESCRIPTION
0550	308146MA	1	BOOT, Spring End Cover, 4 Inch
0560	1502113MA	1	CABLE, Front Drive
0670	1701011SM	5	TIE, Self Locking
0590	1733505ASM	1	BRACKET, Free Hand Control
0600	1733095SM	3	SPACER, 1/4ID x 3/8OD x 1/8
0610	1733509SM	1	ROD AND SPRING ASSEMBLY
0630	2108360SM	1	SPRING, Compression
0640	1960353SM	1	WASHER, 1/4
0650	1736360YP	1	ROD, HOLDDOWN
0670	1701011SM	5	TIE, Self Locking
0680	1733192SM	1	KNOB, Slot Speed
0700	1921319SM	2	WASHER, 1/4
0710	316042MA	2	SCREW, Hex Washer Head, #10 x 5/8
0750	1960589SM	1	SCREW, Phillips, #10-24 x 3/4
0760	1933896SM	1	NUT, Hex Lock, 10-24
0790	1931338SM	2	BOLT, Carriage, 5/16-18 x 1-3/4 (Grade 5)
0880	7091081SM	2	SCREW, Self Tap, 1/4-15 x 3/4
0900	1935048SM	2	NUT, Hex Flange, Two Way Lock, 5/16-18
0910	1921333SM	2	CAPSCREW, Hex Head, 5/16-18 x 1 (Grade 5)
0930	71071MA	2	WASHER, Flat

Not for
Reproduction

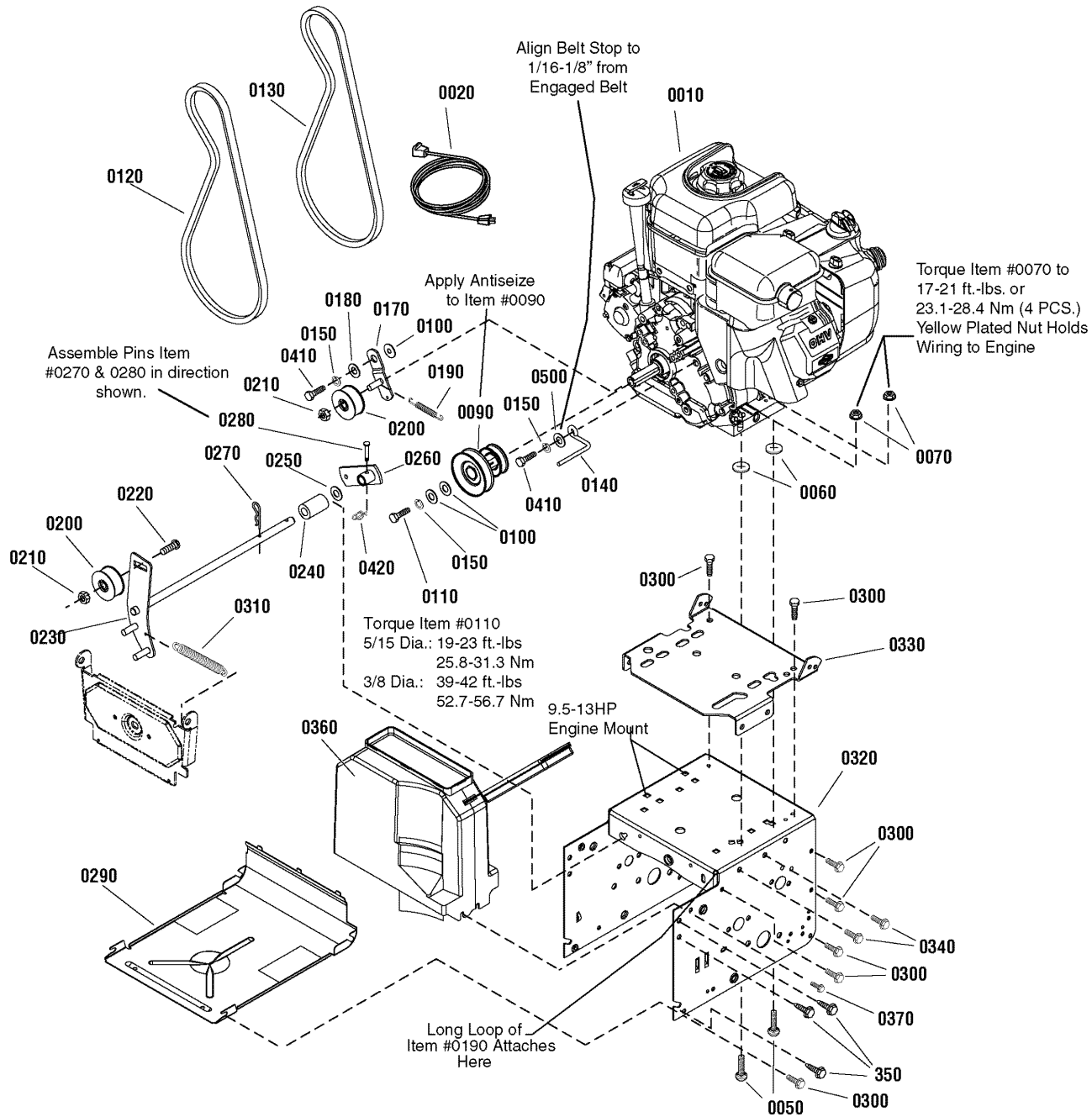
Footnotes

The above parts group applies to the following Mfg. Nos.:

1695724 - Brute 11.5 TP Snowthrower (2009)

Engine & Frame Group

NOTE: Unless noted otherwise, use the standard hardware torque specification chart.



The above parts group applies to the following Mfg. Nos.:

1695724 - Brute 11.5 TP Snowthrower (2009)

Engine & Frame Group

REF NO	PART NO.	QTY.	DESCRIPTION
0010	15C114-0120-E8	1	* ENGINE, 9T 110V 60W
0020	6219MA	1	CORD, 10FT
0050	002X97MA	4	BOLT, Carriage, 5/16-18 x 1-1/2
0060	028X76MA	4	NUT, Push, 1/4 Dia.
0070	2831277SM	1	NUT, Hex Flange, 5/16-18 Whiz-Lock, SM YEL
0090	1501109MA	1	PULLEY, Engine
0100	1919381SM	3	WASHER, 5/16
0110	1921982SM	1	CAPSCREW, Hex-Head, 5/16-24X1.250 G5
0120	1733324SM	1	V-BELT, 3L, 33.13
0130	585416MA	1	BELT, AUGER V 4L
0140	1733014SM	1	STOP, Belt, 3
0150	1917356SM	3	LOCKWASHER, Spring, 5/16
0160	1921515SM	3	CAPSCREW, Hex-Head, 5/16-24X0.750 G5
0170	1501112YZMA	1	BRACKET, Idler
0180	1501065MA	1	BUSHING, Idler Bracket
0190	53704MA	1	SPRING, External Idler
0200	1502120MA	2	IDLER, Plastic Ball Bearing
0210	1960251SM	2	NUT, Hex, Centerlock, 3/8-16
0220	585781MA	1	BOLT, Carriage, 3/8-16 x 1-1/4 G5
0230	1501226YZMA	1	ASSEMBLY, Auger Idler
0240	1502041MA	1	SPACER, Auger BRACKET GRAY PLASTIC 1.61L
0250	1960027SM	1	WASHER, 1/2
0260	1733451SM	1	ARM-CONTROL 2008 WB SNOW P'MTL YEL
0270	711682MA	1	PIN, Hair 3/8 x 1-5/8
0280	1736381YP	1	PIN, CLEVIS
0290	1740906ASM	1	PANEL, Bottom
0300	1927429SM	12	SCREW, Hex-Washer head, Taptite, 1/4-20 X 5/8
0310	165X159MA	1	SPRING, External, Auger, Idler
0320	1740572ZMA	1	FRAME BOX
0330	1733583ZYP	1	PLATE, Engine Mount
0340	1924856SM	4	SCREW, Hex-Washer head, Taptite, 5/16-18 x 1/2
0350	1664847SM	6	SCREW, Hex-Washer head, Taptite, 5/16-18 x 3/4
0360	1502169MA	1	COVER, BELT
0370	26X306MA	2	SCREW, Self-Tapping, 1/4 x 3/4
0410	910828MA	1	BOLT, Hex, 5/16-24 x 1.00 YZ
0420	7023590SM	1	PIN, Cotter, Self Locking, 1/4"
0500	7091528SM	1	WASHER, .375 x .875 x .083 Flat

Footnotes

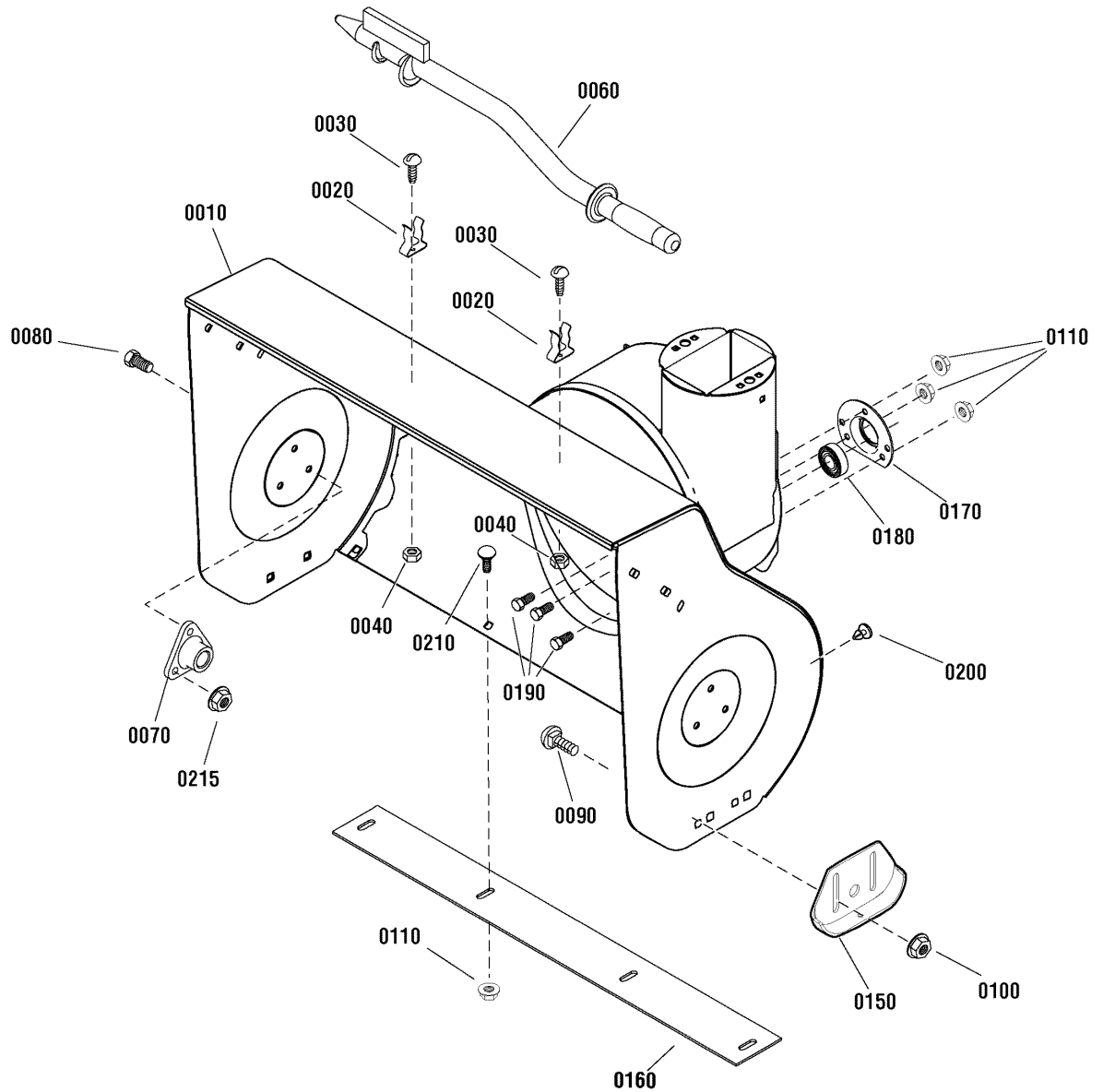
Note* See your local Briggs & Stratton distributor for parts and service.

The above parts group applies to the following Mfg. Nos.:

1695724 - Brute 11.5 TP Snowthrower (2009)

Auger Housing Assembly

NOTE: Unless noted otherwise,
use the standard hardware torque
specification chart.



The above parts group applies to the following Mfg. Nos.:

1695724 - Brute 11.5 TP Snowthrower (2009)

Auger Housing Assembly

REF NO	PART NO.	QTY.	DESCRIPTION
0010	1737931ZYP	1	HOUSING, ASSEMBLY
0020	1736620YP	2	CLAMP, SPRING
0030	1960569SM	2	SCREW, Truss Head Torx, #10-24 x 3/8
0040	15X146MA	2	NUT, Nylock, 10 x 24
0060	1736094YP	1	BRUSH, CLEANOUT
0070	9517MA	2	BEARING, FLANGE
0080	9357MA	4	SCREW, TAP 5/16-18 X 0.75
0090	340720MA	4	BOLT, 5/16-18 X .75
0100	7091619SM	4	NUT, Hex Flange, 3/8-16
0110	710026MA	7	NUT, Hex Flange Serrated Lock, 5/16-18
0150	1737986AYP	2	SKID, Height Adjust
0160	1740745AYP	1	BLADE, SCRAPER
0170	582957YZMA	1	RETAINER, Ball Bearing
0180	1705897SM	1	BEARING, Ball, 11/16 x 1-9/16 x 15/32
0190	001X45MA	3	BOLT, Hex, 5/16-18 x 5/8
0200	760040MA	2	PLUG, PANEL
0210	7090799SM	4	BOLT, Carriage, 5/16-18 x 5/8
0215	711862MA	6	NUT, 5/16-18

Not for
Reproduction

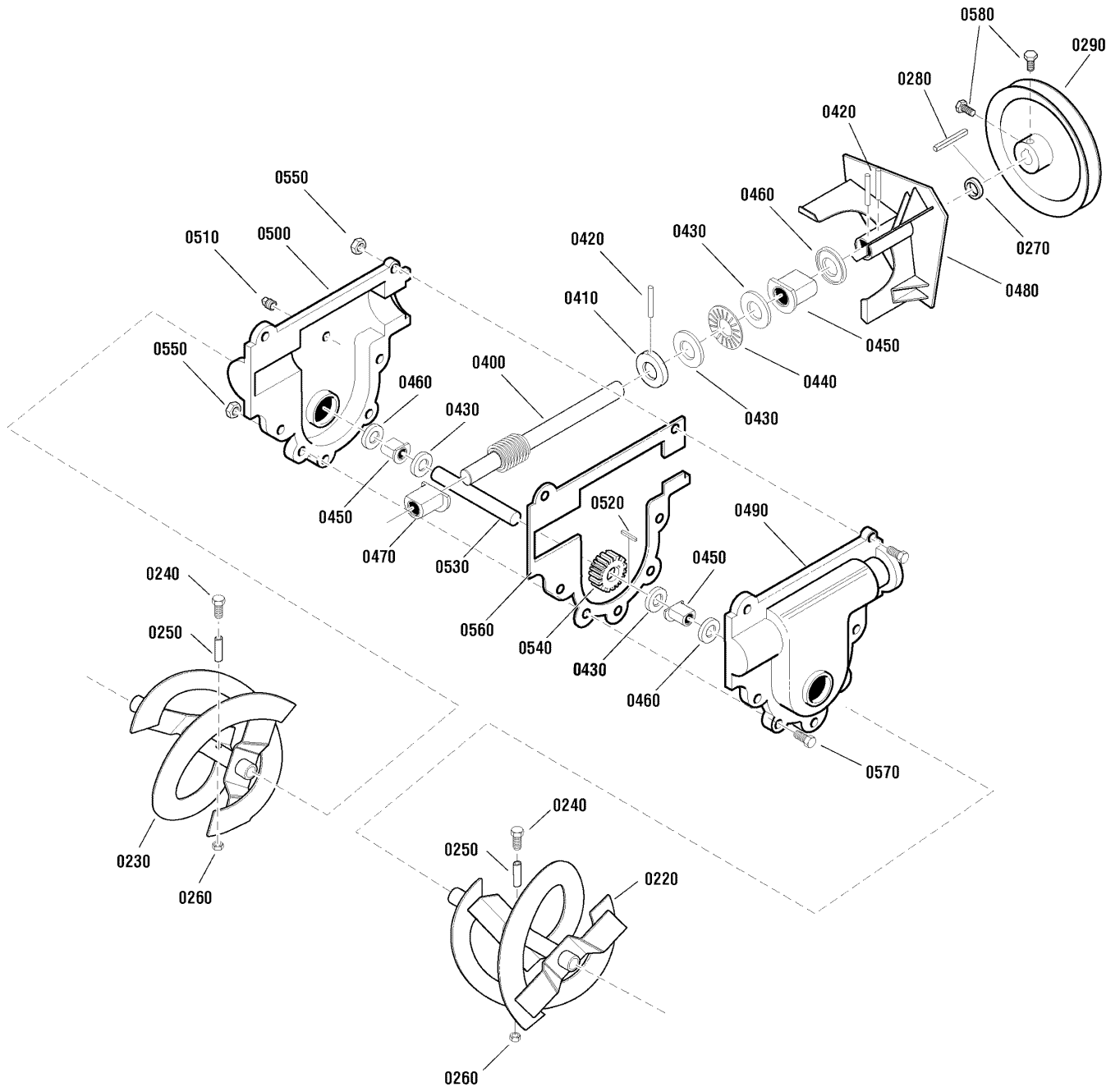
Footnotes

The above parts group applies to the following Mfg. Nos.:

1695724 - Brute 11.5 TP Snowthrower (2009)

Auger Drive Group

NOTE: Unless noted otherwise,
use the standard hardware torque
specification chart.



The above parts group applies to the following Mfg. Nos.:

1695724 - Brute 11.5 TP Snowthrower (2009)

Auger Drive Group

REF NO	PART NO.	QTY.	DESCRIPTION
0220	1738011BCYP	1	ASSEMBLY, Auger, 27, LH
0230	1738010BCYP	1	ASSEMBLY, Auger, 27, RH
0240	9524MA	2	SCREW, 1/4-20 X 1.75
0250	3943MA	2	SPACER, SLEEVE
0260	73826MA	2	NUT, 1/4-20
0270	1501158MA	1	SPACER, FRICTION PULLEY
0280	2001022MA	1	KEY, SQUARE 3/16 X 3/4
0290	1501211MA	1	PULLEY, 4L 8.4 X .67
0400	1501191MA	1	SHAFT, INPUT
0410	580295MA	1	COLLAR, Thrust, .3/4 x 1-1/4
0420	454565MA	3	PIN, Spring, 1/4 x 1-1/4
0430	48275MA	4	WASHER, FLANGE
0440	50684MA	1	Bearing, Roll, 3/4ID x 1-1/4OD
0450	50304MA	3	Bearing, Flange, 3/4ID x 1OD
0460	9566MA	3	SEAL, OIL
0470	50221MA	1	BEARING, FLANGE
0480	1740929AYP	1	IMPELLER ASSEMBLY
0490	10576MA	1	CASE, GEAR, LH
0500	10577MA	1	CASE, GEAR, RH
0510	9344MA	1	SCREW, 3/8-16 X .50
0520	431787MA	1	KEY, WOODRUFF
0530	1501307MA	1	SHAFT, OUTPUT
0540	51405MA	1	GEAR, WORM
0550	15X143MA	7	NUT, CNTRLK 1/4-20
0560	51279MA	1	GASKET, GEAR BOX
0570	710025MA	7	SCREW, 1/4 - 20 x 3/4
0580	577400MA	2	SCREW, 5/16-18 x 0.63

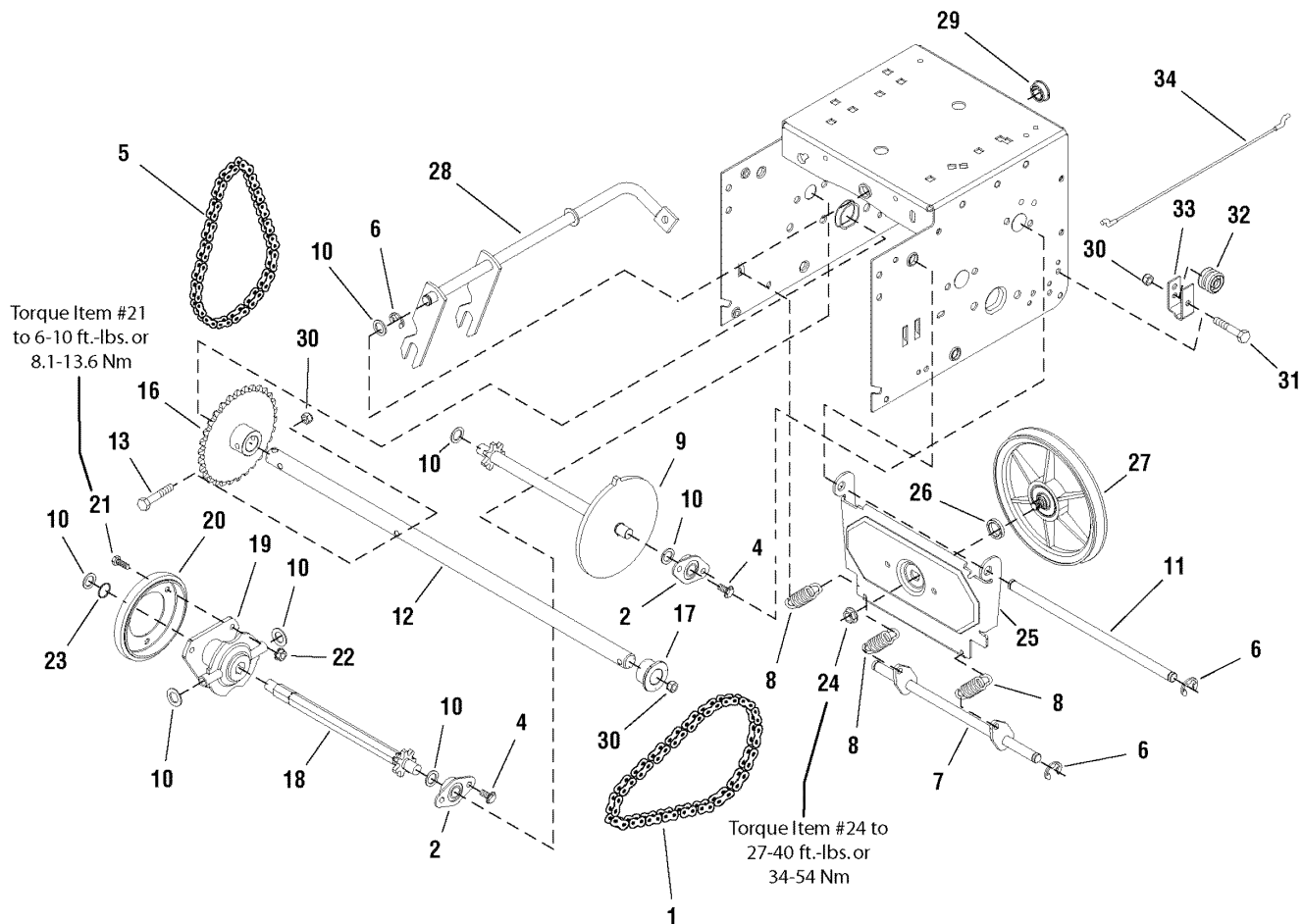
Footnotes

The above parts group applies to the following Mfg. Nos.:

1695724 - Brute 11.5 TP Snowthrower (2009)

Traction Drive

NOTE: Unless noted otherwise,
use the standard hardware torque
specification chart.



The above parts group applies to the following Mfg. Nos.:

1695724 - Brute 11.5 TP Snowthrower (2009)

Traction Drive

REF NO	PART NO.	QTY.	DESCRIPTION
1	579851MA	1	CHAIN, Roller
2	334163MA	4	RETAINER & BUSHING ASSEMBLY
4	1924856SM	8	SCREW, Hex Washer Head Taptite, 5/16-18 x 1/2
5	579868MA	1	CHAIN, Roller
6	11X30MA	5	RETAINER, Ring 7/16
7	1502105YZMA	1	SPRING LINK ASSEMBLY
8	1736469YP	3	SPRING, Extension
9	1501090MA	1	SPROCKET, Set
10	1960027SM	7	WASHER, 1/2
11	1501092YZMA	1	AXLE, Swing Plate
12	1501563MA	1	AXLE, Bushing
13	01X193MA	1	BOLT, Hex 1/4-20 x 1-3/4 G8
16	1501089MA	1	SPROCKET, Axle
17	1501114MA	2	BEARING, Axle D-Hole
18	1501100MA	1	HEX SHAFT & SPROCKET ASSEMBLY
19	337029MA	1	HUB, Friction Wheel & Bearing
20	1501435MA	1	WHEEL, Friction
21	1921959SM	3	CAPSCREW, Hex Head 1/4-20 x 5/8 G5
22	1928372SM	3	NUT, Hex KEPS 1/4-20
23	1733326SM	1	RING, Retaining Extension
24	15X114MA	1	NUT, 3/8-24 Flange Lock
25	1501057YZMA	1	PLATE, Swinging
26	1501158MA	1	SPACER, Friction Pulley
27	1501115MA	1	FRICTION PULLEY ASSEMBLY
28	1501110YZMA	1	SPEED SELECT ASSEMBLY
29	579944MA	1	BEARING, Flange
30	1920397SM	2	NUT, Hex Lock ESNA Light 1/4-20
31	1922837SM	1	CAPSCREW, Hex Head, 1/4-20 x 1-1/2 G5
32	579860MA	1	SPOOL CABLE, Auger Control
33	1501059YZMA	1	BRACKET, Cable Spool
34	1501122MA	1	CABLE, Front Drive Lower All

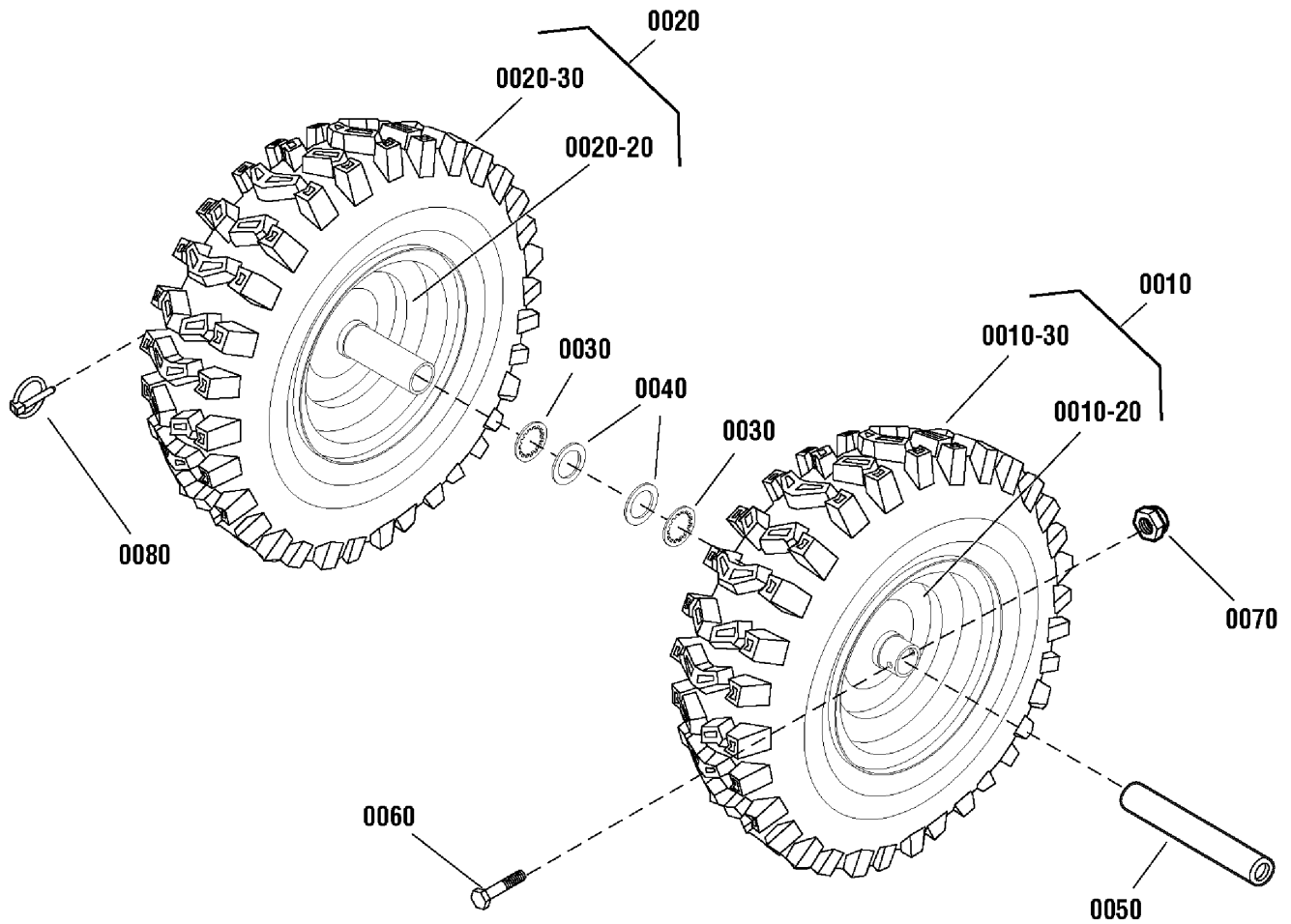
Footnotes

The above parts group applies to the following Mfg. Nos.:

1695724 - Brute 11.5 TP Snowthrower (2009)

Wheels and Tires Group

NOTE: Unless noted otherwise,
use the standard hardware torque
specification chart.



The above parts group applies to the following Mfg. Nos.:

1695724 - Brute 11.5 TP Snowthrower (2009)

Wheels and Tires Group

REF NO	PART NO.	QTY.	DESCRIPTION
0010	1736724YP	1	WHEEL AND TIRE ASSEMBLY, 16 x 4.8, XTRACM, Left (Includes Ref. Nos. 0010-20 a 0010-30)
0010-20	2172353SM	1	VALVE STEM & CAP
0010-30	1735666SM	1	TIRE, 4.80-8, X-TRAC TL
0020	1736723YP	1	WHEEL AND TIRE ASSEMBLY, 16 x 4.8, XTRACM, Right (Includes Ref. Nos. 0020-20 and 0020-30)
0020-20	2172353SM	1	VALVE STEM & CAP
0020-30	1735666SM	1	TIRE, 4.80-8, X-TRAC TL
0030	1657528SM	2	RING, Retaining
0040	712120MA	2	WASHER
0050	1501138MA	2	BUSHING, Wheel, 5-1/2, 16 Tire
0060	577015MA	1	BOLT, Hex, 1/4-20 x 1-3/4 (Grade 5)
0070	15X145MA	1	NUT, Hex Nylock, 1/4-20
0080	73842MA	1	PIN, Klik

Not for
Reproduction

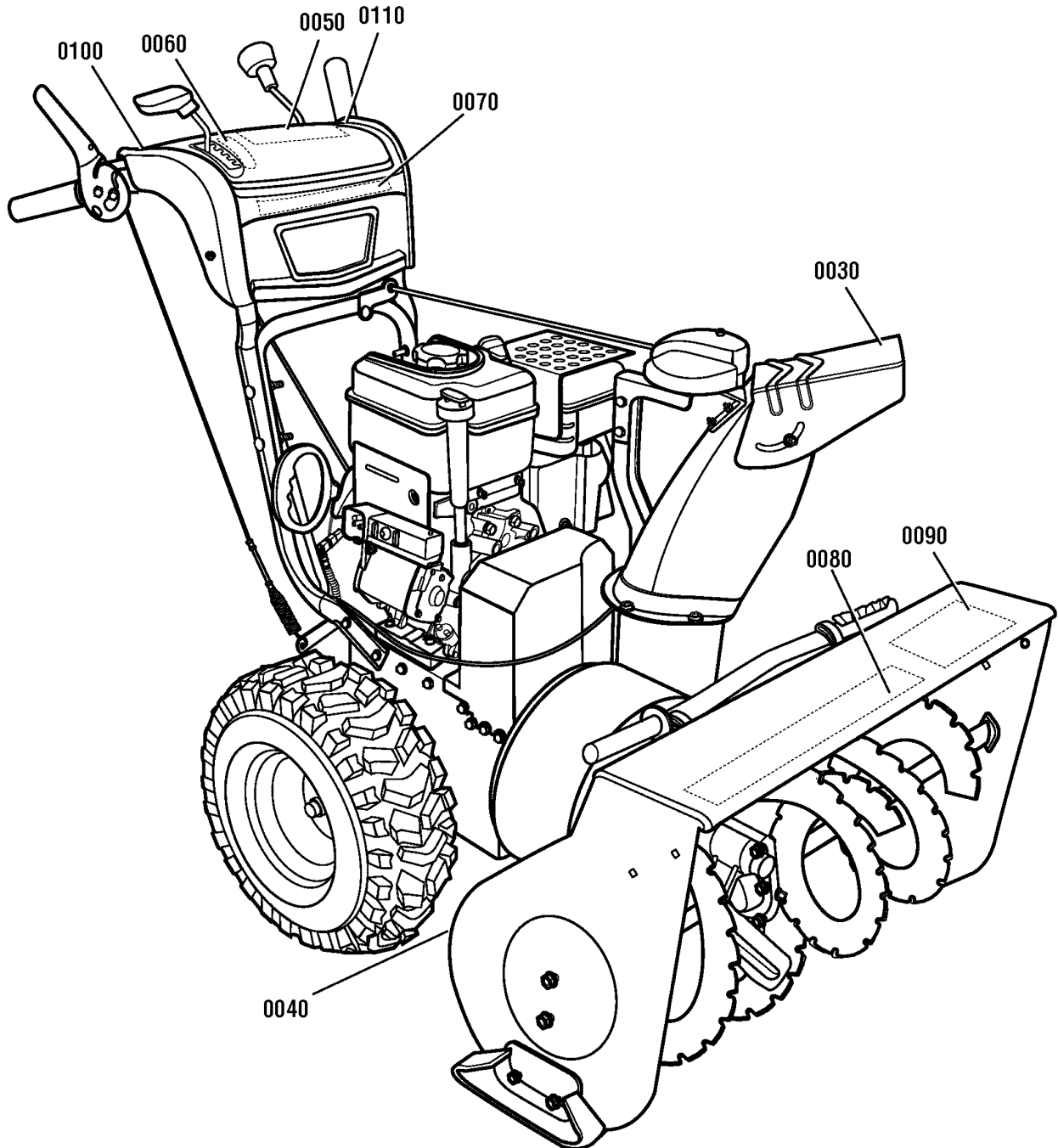
Footnotes

The above parts group applies to the following Mfg. Nos.:

1695724 - Brute 11.5 TP Snowthrower (2009)

Decals

NOTE: Unless noted otherwise,
use the standard hardware torque
specification chart.



The above parts group applies to the following Mfg. Nos.:

1695724 - Brute 11.5 TP Snowthrower (2009)

Decals

REF NO	PART NO.	QTY.	DESCRIPTION
0030	1737865YP	1	DECAL, DANGER CHUTE
0040	1737866YP	1	DECAL, ISO AUGER FR/EN
0050	1737876YP	1	DECAL, CONTROLS
0060	1736616YP	1	DECAL, SHIFT
0070	1736649YP	1	DECAL, BRUTE DASH
0080	1736650YP	1	DECAL, BRUTE AUGER
0090	1736652YP	1	DECAL, BRUTE AUGER HOUSING
0100	1737869YP	1	DECAL, AUGER CLUTCH
0110	1737870YP	1	DECAL, DRIVE CLUTCH

Not for
Reproduction

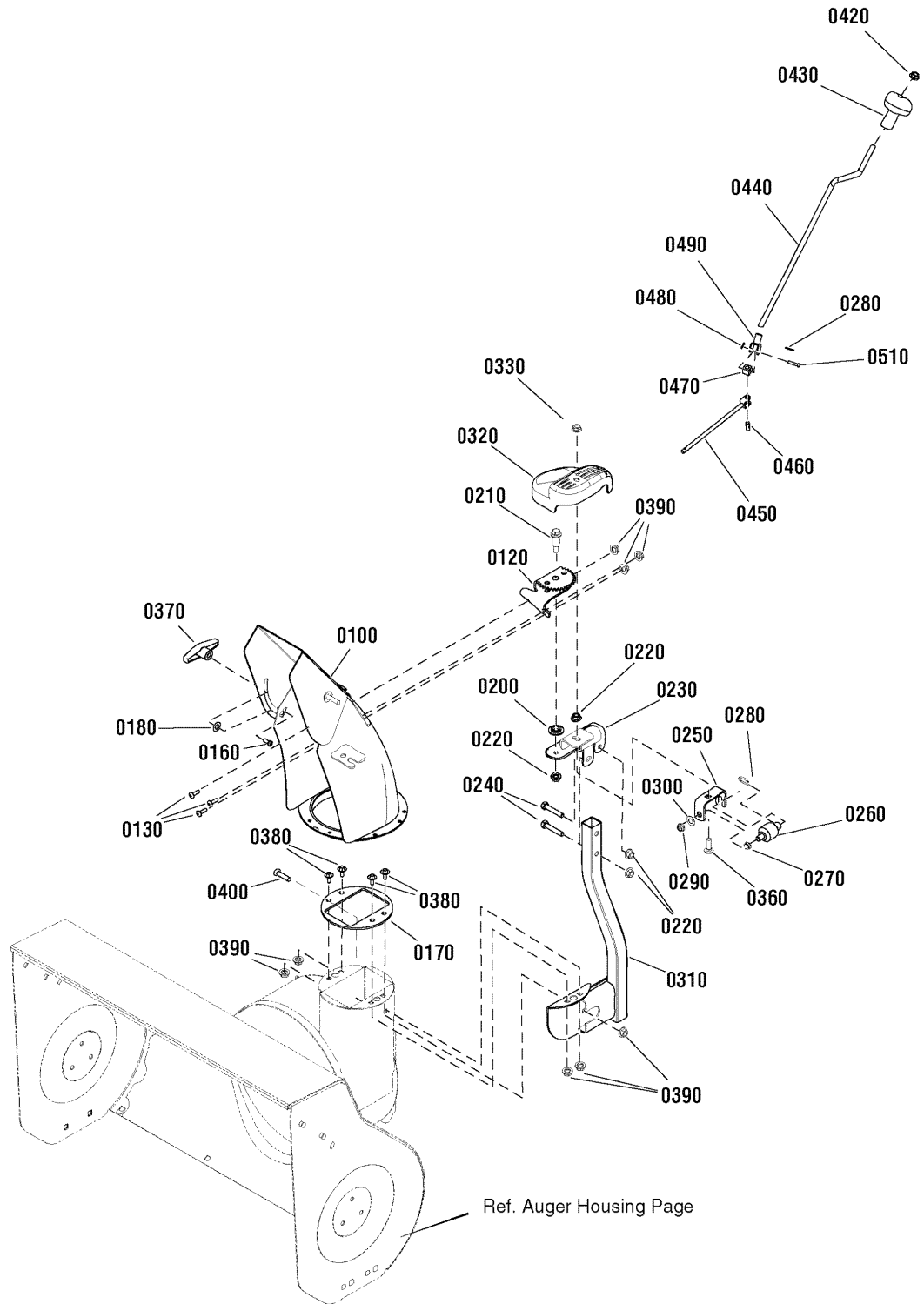
Footnotes

The above parts group applies to the following Mfg. Nos.:

1695724 - Brute 11.5 TP Snowthrower (2009)

Discharge Chute Group

NOTE: Unless noted otherwise,
use the standard hardware torque
specification chart.



The above parts group applies to the following Mfg. Nos.:

1695724 - Brute 11.5 TP Snowthrower (2009)

Discharge Chute Group

REF NO	PART NO.	QTY.	DESCRIPTION
0100	1736379AYP	1	CHUTE ASSEMBLY
0120	1736038YP	1	GEAR / CHUTE SUPPORT
0130	1960715SM	3	SCREW, Truss Head Torx, 1/4-20 x 3/4
0160	002X97MA	1	BOLT, Carriage, 5/16-18 x 1-1/2
0170	1735767YP	1	GUIDE, Chute Ring
0180	2860210SM	1	WASHER, Nylon, 3/8
0200	1733026SM	1	WASHER, 1/2
0210	1732412SM	1	BOLT, Shoulder, 5/16-18 x 5/8 G5
0220	1960684SM	4	NUT, Hex Keps, 5/16-18
0230	1734423ASM	1	SUPPORT, Gear Crank
0240	1922127SM	2	CAPSCREW, Hex Head, 5/16-18 x 1-3/4 (Grade 5)
0250	1734440SM	1	SUPPORT, Worm
0260	1734439SM	1	WORM, Chute, Left
0270	1667588SM	1	BUSHING, Nylon, 3/8ID x 1/2OD x 1/4 long
0280	1501293MA	1	PIN, Hair
0290	1960762SM	1	NUT, Hex Lock, Jam Esna Light, 3/8-24
0300	1734542SM	1	WASHER, Cup, 3/8
0310	1736195AYP	1	CHUTE SUPPORT
0320	1734442SM	1	COVER, Gear
0330	1935048SM	1	NUT, Hex Flange, Two Way Lock, 5/16-18
0360	1928698SM	1	NUT, Hex, Toplock Jam, 5/16-18
0370	1501260MA	1	KNOB, Wing, With Nut, 5/16-18
0380	691005	4	SCREW, Hex Washer Head
0390	5025391SM	8	NUT, Hex Nylock Flange, 1/4-20
0400	02X101MA	1	BOLT, Carriage, 1/4-20 x 3/4
0420	1960093SM	1	NUT, Push Pal
0430	1714084SM	1	KNOB, Spinner
0440	1735661YP	1	CRANK, Chute Handle
0450	1735660YP	1	ROD AND YOKE
0460	578060MA	1	PIN, Universal Joint
0470	578063MA	1	BLOCK, Universal Pivot
0480	579493MA	1	PIN, Cotter
0490	1733611SM	1	YOKE & TUBE, Chute
0510	578309MA	2	PIN, Clevis

Footnotes

The above parts group applies to the following Mfg. Nos.:

1695724 - Brute 11.5 TP Snowthrower (2009)

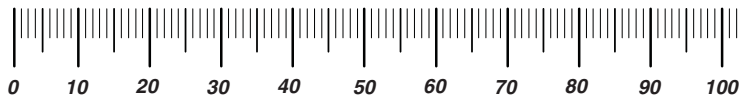
Not for
Reproduction

Not for
Reproduction

Hardware Identification & Torque Specifications

Torque Specification Chart								
FOR STANDARD METRIC MACHINE HARDWARE (Tolerance ± 20%)								
Property Class	5.6		8.8		10.9		12.9	
	Class 5.6		Class 8.8		Class 10.9		Class 12.9	
Size Of Hardware	in/lbs		in/lbs		in/lbs		in/lbs	
	ft/lbs	Nm.	ft/lbs	Nm.	ft/lbs	Nm.	ft/lbs	Nm.
M3	5.88	.56	13.44	1.28	19.2	1.80	22.92	2.15
M4	13.44	1.28	30.72	2.90	43.44	4.10	52.56	4.95
M5	26.4	2.50	60.96	5.75	5.97	8.10	7.15	9.7
M6	44.64	4.3	7.3	9.9	10.3	14	12.1	16.5
M7	5.2	7.1	12.1	16.5	16.9	23	19.9	27
M8	7.7	10.5	17.7	24	25	34	29	40
M10	15	21	35	48	50	67	59	81
M12	26	36	61	83	86.2	117	103	140
M14	42	58	101	132	136	185	162	220
M16	64	88	147	200	210	285	250	340
M18	89	121	202	275	287	390	346	470
M20	126	171	290	390	405	550	486	660
M22	169	230	390	530	559	745	656	890
M24	217	295	497	375	708	960	840	1140
M27	320	435	733	995	1032	1400	1239	1680
M30	435	590	995	1350	1401	1900	1681	2280
M33	590	800	1349	1830	1902	2580	2278	3090
M36	759	1030	1740	2360	2441	3310	2935	3980
M39	988	1340	2249	3050	3163	4290	3798	5150

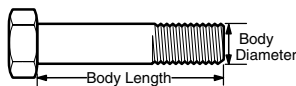
The guides and ruler furnished below are designed to help you select the appropriate hardware.



Nut, M8

Thread Diameter (mm)
Inside Diameter (in)
Threads per inch

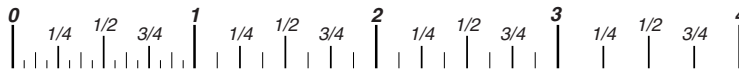
Nut, 1/2-16



Screw, M8- 1.25 x 25

Thread Diameter (mm)
Body Diameter
Distance between threads (mm)
Threads per inch
Body Length (mm)
Body Length (in)

Screw, 1/2- 16 x 2



Standard Hardware Sizing

When a washer or nut is identified as 1/2" (M8), this is the *Nominal size*, meaning the *inside diameter* is 1/2 inch (8mm metric thread diameter); if a second number is present it represents the *threads per inch* (distance between threads).

When bolt or capscrew is identified as 1/2 - 16 x 2" (M8 - 1.25 x 50), this means the *Nominal size*, or body diameter is 1/2 inch (8mm metric thread diameter), the second number, 16, represents the *threads per inch*, (1.25 thread diameter). The final number is the body length of the bolt or screw, 2 inches (50mm).

Torque Specification Chart						
FOR STANDARD MACHINE HARDWARE (Tolerance ± 20%)						
Hardware Grade	No Marks		SAE Grade 5		SAE Grade 8	
	SAE Grade 2		SAE Grade 5		SAE Grade 8	
Size Of Hardware	in/lbs		in/lbs		in/lbs	
	ft/lbs	Nm.	ft/lbs	Nm.	ft/lbs	Nm.
8-32	19	2.1	30	3.4	41	4.6
8-36	20	2.3	31	3.5	43	4.9
10-24	27	3.1	43	4.9	60	6.8
10-32	31	3.5	49	5.5	68	7.7
1/4-20	66	7.6	8	10.9	12	16.3
1/4-28	76	8.6	10	13.6	14	19.0
5/16-18	11	15.0	17	23.1	25	34.0
5/16-24	12	16.3	19	25.8	29	34.0
3/8-16	20	27.2	30	40.8	45	61.2
3/8-24	23	31.3	35	47.6	50	68.0
7/16-14	30	40.8	50	68.0	70	95.2
7/16-20	35	47.6	55	74.8	80	108.8
1/2-13	50	68.0	75	102.0	110	149.6
1/2-20	55	74.8	90	122.4	120	163.2
9/16-12	65	88.4	110	149.6	150	204.0
9/16-18	75	102.0	120	163.2	170	231.2
5/8-11	90	122.4	150	204.0	220	299.2
5/8-18	100	136	180	244.8	240	326.4
3/4-10	160	217.6	260	353.6	386	525.0
3/4-16	180	244.8	300	408.0	420	571.2
7/8-9	140	190.4	400	544.0	600	816.0
7/8-14	155	210.8	440	598.4	660	897.6
1-8	220	299.2	580	788.8	900	1,244.0
1-12	240	326.4	640	870.4	1,000	1,360.0

NOTES

- These torque values are to be used for all hardware excluding: locknuts, self-tapping screws, thread forming screws, sheet metal screws and socket head setscrews.
- Recommended seating torque values for locknuts:
 - for prevailing torque locknuts - use 65% of grade 5 torques.
 - for flange whizlock nuts and screws - use 135% of grade 5 torques.
- Unless otherwise noted on assembly drawings, all torque values must meet this specification.

Common Hardware Types

Hex Head Capscrew



Washer

Carriage Bolt



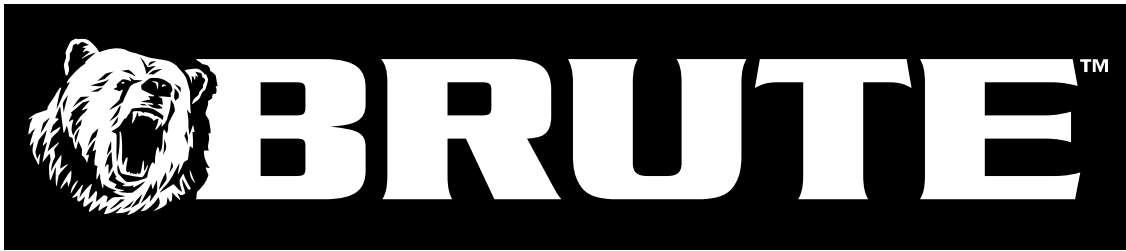
Lockwasher



Hex Nut

Wrench & Fastener Size Guide

1/4" Bolt or Nut Wrench—7/16"	5/16" Bolt or Nut Wrench—1/2"	3/8" Bolt or Nut Wrench—9/16"	7/16" Bolt or Nut Wrench (Bolt)—5/8" Wrench (Nut)—11/16"	1/2" Bolt or Nut Wrench—3/4"
M6 Bolt or Nut Wrench—10mm	M8 Bolt or Nut Wrench—13mm	M10 Bolt or Nut Wrench—17mm	M12 Bolt or Nut Wrench—19mm	M14 Bolt or Nut Wrench—22mm



Not for
Reproduction

**IT IS THE POLICY OF BRIGGS & STRATTON CORP. TO IMPROVE ITS PRODUCTS
WHENEVER IT IS POSSIBLE AND PRACTICAL TO DO SO. WE RESERVE THE RIGHT TO
MAKE CHANGES OR ADD IMPROVEMENTS AT ANY TIME WITHOUT INCURRING ANY
OBLIGATION TO MAKE SUCH CHANGES ON PRODUCTS.**

BRUTE™ is a trademark of Briggs & Stratton Yard Power Products.

Copyright© 2008 Briggs & Stratton Power Products Group. All rights reserved. No part of this page can be reproduced or transmitted in any form by any means without the express written permission of Briggs & Stratton Power Products Group.

Briggs & Stratton Yard Power Products Group

3515 N. 124 Street / PO Box 702
Wauwatosa, WI 53222 USA

www.brutepower.com

© Copyright 2009 by Briggs & Stratton Corporation
Milwaukee, WI, USA. All rights reserved