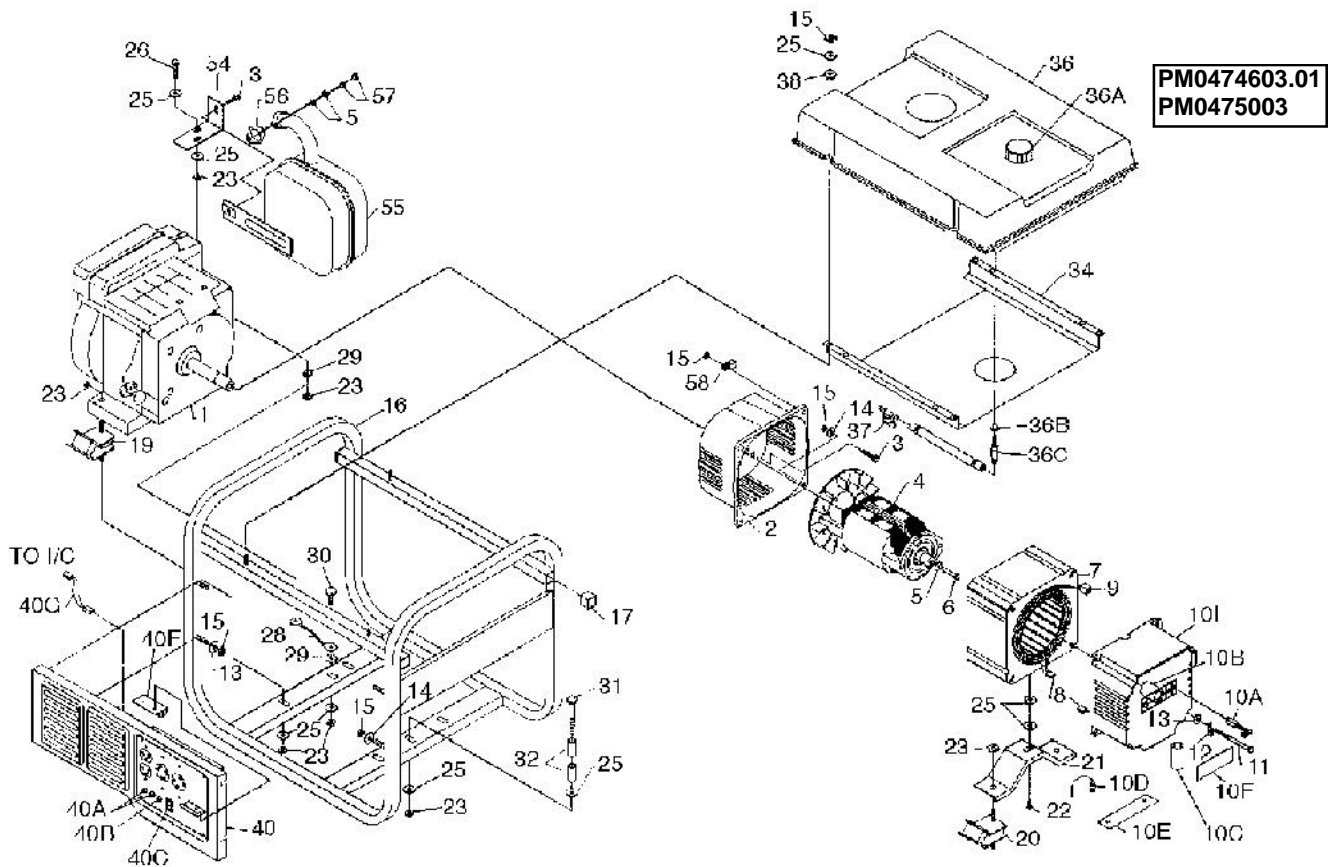
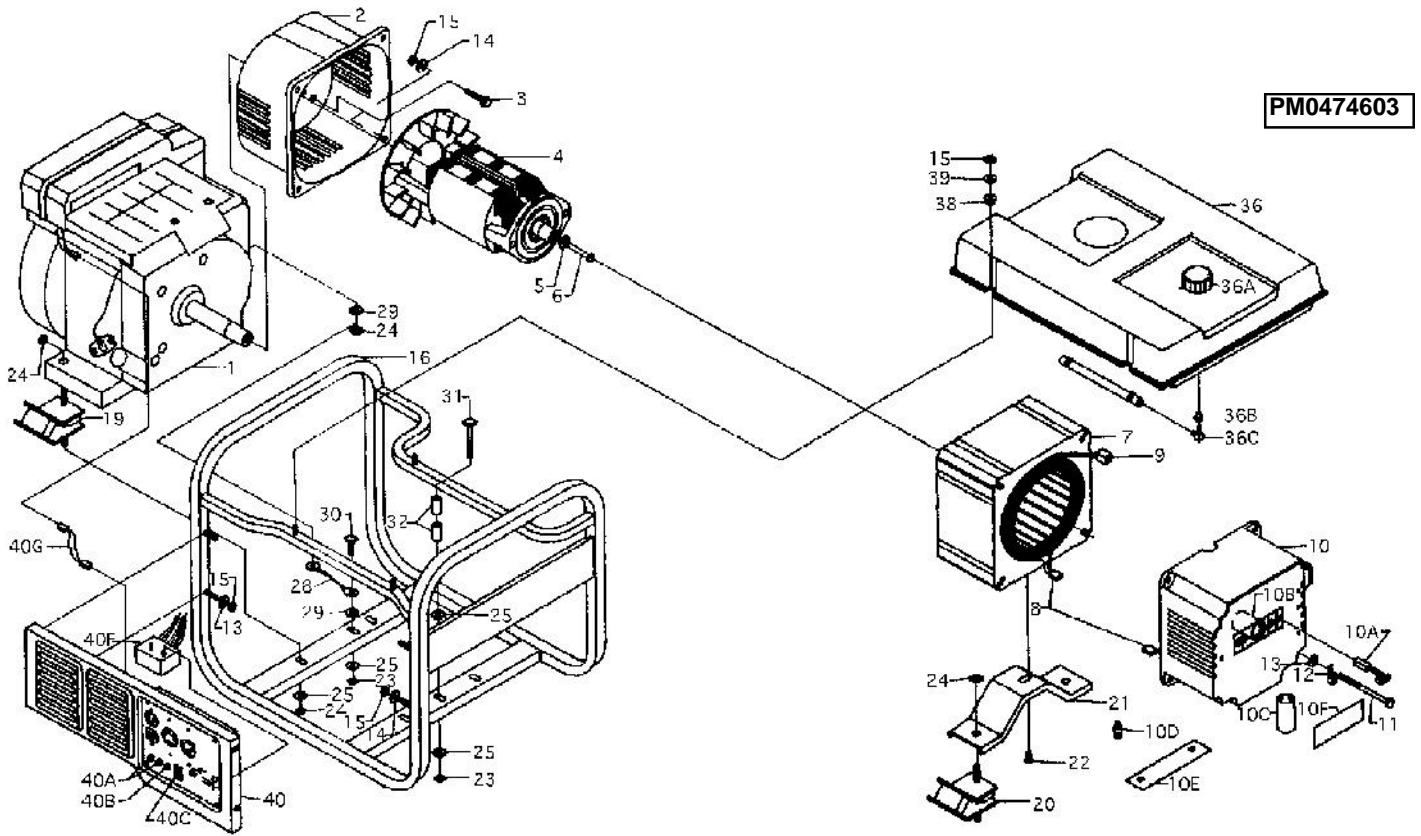


SERVICE PARTS LIST

MODEL
GEN VANTAGE 4KW IC
GEN VANTAGE 4KW IC
GEN VANTAGE 5KW IC

PART NUMBER
PM0474603
PM0474603.01
PM0475003



SERVICE PARTS LIST

**MODEL
GEN VANTAGE 4KW IC
GEN VANTAGE 4KW IC
GEN VANTAGE 5KW IC**

**PART NUMBER
PM0474603
PM0474603.01
PM0475003**

| REF. NO. | PART NO. | DESCRIPTION | MODEL NUMBER | | |
|----------|------------|-----------------------------------|--------------|--------------|-----------|
| | | | PM0474603 | PM0474603.01 | PM0475003 |
| 1 | NOTE A | ENGINE, 9 HP VANGAURD | 1 | 1 | 1 |
| 2 | 0050236 | ADAPTER, ENGINE | 1 | 1 | 1 |
| 4 | 0049620 | ROTOR, 5KW RF5 | 1 | 1 | 1 |
| 7 | 0050299 | STATOR, 5KW, 60HZ IC | 1 | 1 | 1 |
| 8 | 0049835 | CONNECTOR, HSG. SET, ENDBELL | 1 | 1 | 1 |
| 9 | 0049200 | CONNECTOR, HSG. SET, PANEL | 1 | 1 | 1 |
| 10 | 0050237.01 | ENDBELL, WIRED COMPLETE, 47 SER | 1 | 1 | 1 |
| 10A | 0050439 | BRUSH, E-4R | 2 | 2 | 2 |
| 10B | 0035188 | BEARING, NEEDLE FTT-1212 | 1 | 1 | 1 |
| 10C | 0034819.01 | CAPACITOR, 130MF | 1 | 1 | 1 |
| 10D | 0034843.01 | DIODE | 2 | 2 | 2 |
| 10E | 0038976 | HEAT SINK FOR DIODE | 1 | 1 | 1 |
| 10F | 0034844 | COVER, BRUSH | 1 | 1 | 1 |
| 10G | 0051080 | SHIELD, ENDBELL | 1 | 1 | 1 |
| 10H | 0051093 | TOLERANCE RING | 1 | 1 | 1 |
| 10I | 0050397 | RETAINING RING | 1 | 1 | 1 |
| 12 | 0008854 | LUG, GROUND | 1 | 1 | 1 |
| 16 | 0050230 | CARRIER, ASSY FULL | 1 | | |
| 16 | 0051560 | CARRIER, ASSY FULL | | 1 | |
| 16 | 0051756 | CARRIER, ASSY FULL | | | 1 |
| 19 | 0055524 | KIT ISOL ENG VIB 45 DEG 1.75 STUD | 2 | 2 | 2 |
| 20 | 0055525 | KIT ISOL ENG VIB 45 DEG .63 STUD | 2 | 2 | 2 |
| 21 | 0049693 | BRACKET, STATOR | 1 | 1 | 1 |
| 28 | 0049224 | ASSY, GROUND WIRE BRAIDED | 1 | 1 | 1 |
| 32 | 0047796 | SPACER, 3/4" | 2 | 2 | 2 |
| 34 | 0051537.01 | SHIELD, HEAT | | 1 | 1 |
| 36 | 0050240 | TANK ASSEMBLY COMPLETE | 1 | | |
| 36 | 0051636.01 | TANK ASSEMBLY COMPLETE | | 1 | 1 |
| 36A | 0050322 | CAP. FUEL | 1 | 1 | 1 |
| 36B | 0049113 | BUSHING, FUEL | 1 | 1 | 1 |
| 36C | 0050241 | ELBOW, FUEL | 1 | | |
| 36C | 0051367 | FITTING, FUEL TANK | | 1 | 1 |
| 38 | 0048243 | BUSHING, STEP | 4 | 4 | 4 |
| 40 | 0050296.01 | PANEL, WIRED COMPLETE 47-4 IC | 1 | 1 | |
| 40 | 0051823 | PANEL, WIRED COMPLETE 47-5 IC | | | 1 |
| 40A | 0049071 | CIRCUIT BREAKER, 20 AMP | 2 | 2 | |
| 40A | 0049072 | CIRCUIT BREAKER, 25 AMP | | | 2 |
| 40B | 0049382 | CIRCUIT BREAKER, 30 AMP | 1 | | |
| 40B | 0048337 | CIRCUIT BREAKER, 35 AMP | | 1 | 1 |
| 40C | 0050298 | SWITCH | 1 | 1 | 1 |
| 40F | 0050625.01 | MODULE, IDLE CONTROL | 1 | 1 | 1 |
| 40G | 0006479 | WIRE ASSY CONNECTOR | 1 | | |
| 40G | 0006632 | WIRE ASSY CONNECTOR | | 1 | 1 |
| 51 | 0050621 | ELECTRO-MAGNET | | 1 | 1 |
| 55 | 0050952 | MUFFLER, 9 HP | | 1 | 1 |
| 56 | 0051634 | GASKET, MUFFLER | | 1 | 1 |
| 58 | 0048147 | CLAMP, VINYL 1/2" | | 1 | 1 |

NOTE A: COLEMAN POWERMATE WILL NOT PROVIDE ENGINES AS REPLACEMENT PARTS. ENGINES ARE COVERED THROUGH THE ENGINE MANUFACTURER'S WARRANTY.

START DATE: 11/1/97

REVISED: