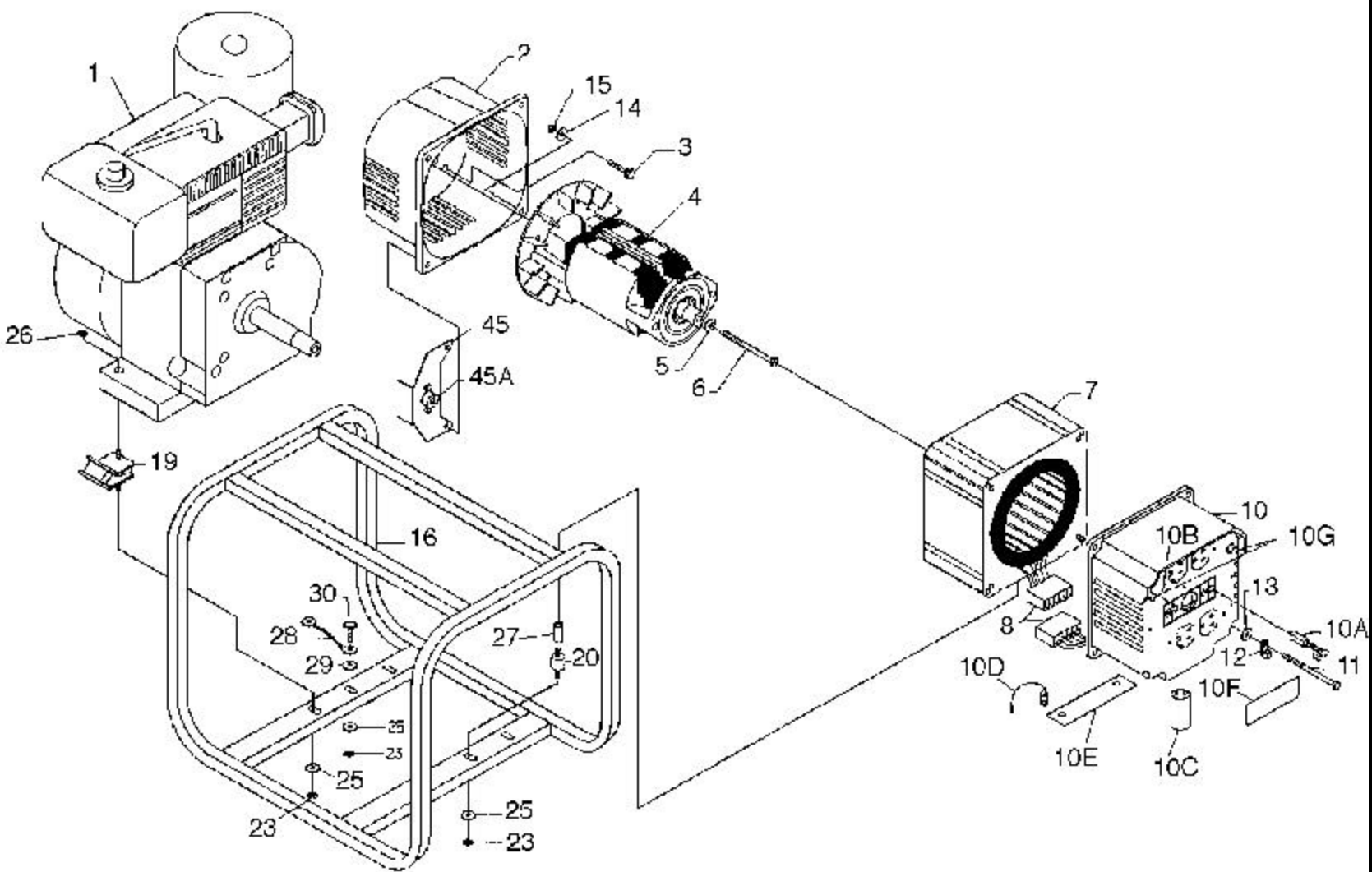


**SERVICE PARTS LIST**



**MODEL**  
 GEN MAXA 4KW TEC  
 GEN MAXA 4KW TEC  
 GEN MAXA 4KE TES  
 GEN MAXA 5KW TEC  
 GEN MAXA 5KW TEC  
 GEN MAXA 5KW TEC  
 GEN MAXA 5KW TES

**PART NUMBER**  
 PL0524000  
 PM0524000  
 PM0524020  
 PL0525000  
 PM0525000  
 PM0525020

**SERVICE PARTS LIST**

**MODEL**  
**GEN MAXA 4KW TEC**  
**GEN MAXA 4KW TEC**  
**GEN MAXA 4KW TES**  
**GEN MAXA 5KW TEC**  
**GEN MAXA 5KW TEC**  
**GEN MAXA 5KW TES**

**PART NUMBER**  
**PL0524000**  
**PM0524000**  
**PM0524020**  
**PL0525000**  
**PM0525000**  
**PM0525020**

REF. NO.	PART NO.	DESCRIPTION	MODEL NUMBER					
			PL 0524000	PM0524000	PM0524020	PL 0525000	PM0525000	PM0525020
1	NOTE A	ENGINE, 8 HP TECUMSEH	1	1				
1	NOTE A	ENGINE, 8 HP ES TECUMSEH			1			
1	NOTE A	ENGINE, 10 HP TECUMSEH				1	1	
1	NOTE A	ENGINE, 10 HP ES TECUMSEH						1
2	0054052	ADAPTER, ENGINE 4-5KW TEC	1	1	1	1	1	1
4	0049619	ROTOR, 4KW TEC RF5	1	1	1			
4	0049621	ROTOR, 5KW TEC RF5				1	1	1
7	0050469	STATOR, 4KW 60HZ	1	1	1			
7	0050830	STATOR, 5KW 60HZ				1	1	1
8	0034801	CONNECTOR HSG. SET, ENDBELL	1	1	1	1	1	1
10	0049664.01	ENDBELL, WIRED COMPLETE LA 52-4	1					
10	0048838.01	ENDBELL, WIRED COMPLETE 52-4		1	1			
10	0050600.01	ENDBELL, WIRED COMPLETE LA 52-5				1		
10	0048839.01	ENDBELL, WIRED COMPLETE 52-5					1	1
10A	0050439	BRUSH, E-4R	2	2	2	2	2	2
10B	0035188	BEARING, NEEDLE FTT-1212	1	1	1	1	1	1
10C	0034819.01	CAPACITOR, 130MF	1	1	1	1	1	1
10D	0034843.01	DIODE	2	2	2	2	2	2
10E	0038976	HEAT SINK FOR DIODE	1	1	1	1	1	1
10F	0038968	COVER, BRUSH	1	1	1	1	1	1
10G	0049070	CIRCUIT BREAKER, 15 AMP	1			1		
10G	0049459	CIRCUIT BREAKER, 18 AMP	1			1		
10G	0049071	CIRCUIT BREAKER, 20 AMP		2	2			
10G	0049072	CIRCUIT BREAKER, 25 AMP					2	2
10H	00510936	TOLERANCE RING	1	1	1	1	1	1
10I	0050397	RETAINING CLIPS	2	2	2	2	2	2
10J	0051080	SHIELD, ENDBELL	1	1	1	1	1	1
12	0008854	LUG, GROUND	1	1	1	1	1	1
16	0049315	CARRIER, ASSY	1	1	1	1	1	1
19	0055526	ISOLATOR, ENGINE	2	2	2	2	2	2
20	0049743	ISOLATOR, STATOR	1	1	1	1	1	1
27	0047796	SPACER, 3/4"	1	1	1	1	1	1
28	0049224	ASSY, GROUND WIRE	1	1	1	1	1	1
45	0049897	ASSY, ELECTRIC START			1			1
45A	0030148	SWITCH, DR-450A			1			1

**NOTE A:** COLEMAN POWERMATE WILL NOT PROVIDE ENGINES AS REPLACEMENT PARTS. ENGINES ARE COVERED THROUGH THE ENGINE MANUFACTURER'S WARRANTY.

**START DATE:** 11/1/97

**REVISED:**