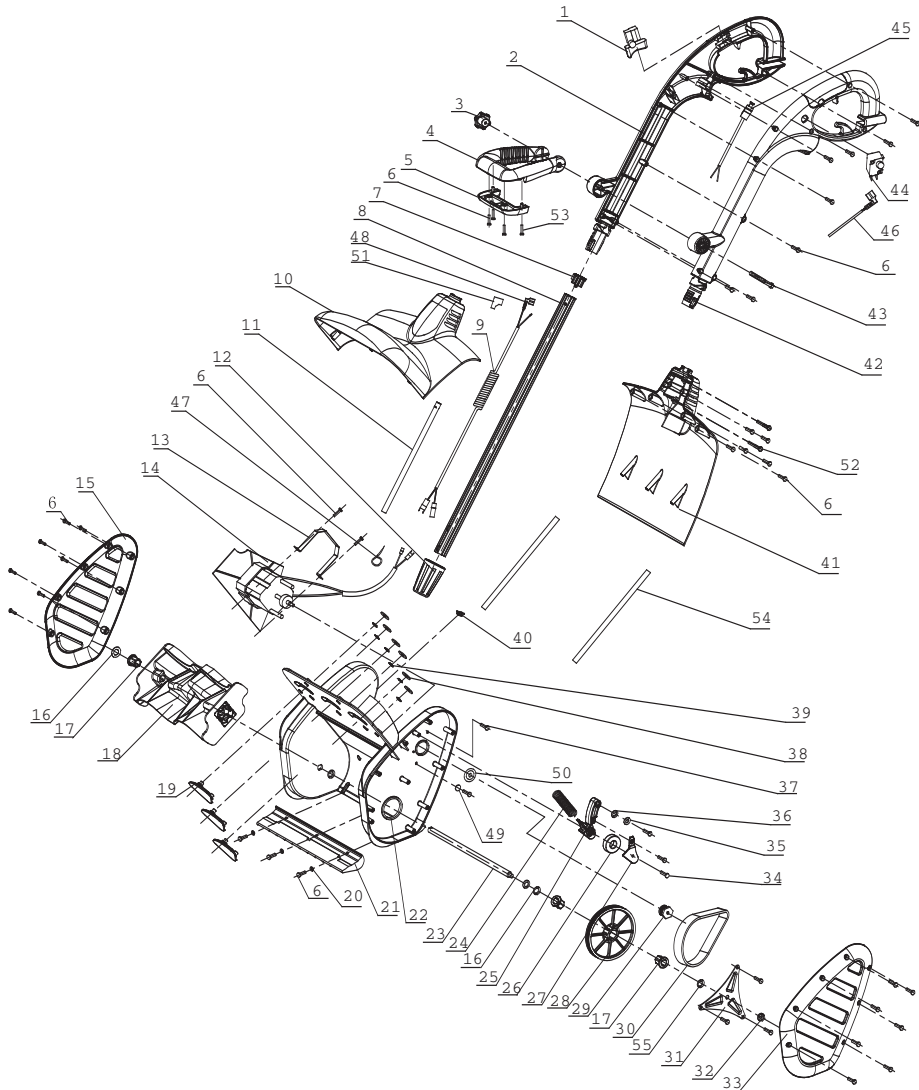


PARTS LIST



<u>No.</u>	<u>Parts No.</u>	<u>Description</u>	<u>No.</u>	<u>Parts No.</u>	<u>Description</u>
1	6022-MD2301	SWITCH	29	6137-MD2302	PULLEY ACTIVE
2	6068-MD2301	HANDLE RIGHT	30	6149-MD2301	STRAP
3	6134-MD2301	KNOB	31	6072-MD2301	FIXED PLATE
4	6196-MD2302	ASSIST HANDLE	32	9NAC-08	NUT
5	6196-MD2301	ASSIST HANDLE	33	6017-MD2302	COVER LEFT
6	6SGEBB04-18	SCREW	34	6SDABB04-20	SCREW
7	6070-MD2301	PLUG PIPE	35	6WFB-04-12	WASHER
8	6037-MD2301	TUBE	36	9WFB-08-13	WASHER
9	6010-MD2301	SPRING CODE	37	9SKKBY10/24-0.5	SCREW
10	6067-MD2301	HOUSING TOP	38	6014-MD2302	WASHER
11	6129-MD2301	PIPE	39	6189-MD2301	WASHER
12	6131-MD2301	SPOOL	40	6078-MD2301	CAP
13	6187-MD2301	FIXED PLATE	41	6067-MD2302	HOUSING BOTTOM
14	6099-MD2301	MOTOR	42	6068-MD2302	HANDLE LEFT
15	6017-MD2301	COVER RIGHT	43	6SXDZ-06-100	SCREW
16	6014-MD2301	WASHER	44	6272-MD2301	PROTECT SWITCH
17	6148-MD2301	SLEEVE	45	6041-MD2301	CONNECTOR
18	6250-MD2301	BLADE	46	6010-MD2304	WIRE ASSY
19	6100-MD2302	PLATE	47	6032-070-01	BAND, PLASTIC
20	6WFB-04	WASHER	48	6041-610201	TERMINAL
21	6200-MD2301	PLATE	49	6014-MD2303	WASHER
22	6064-MD2301	MAIN BODY	50	6139-MD2302	PLASTIC WASHER
23	6111-MD2302	SHAFT	51	6059-MD2304	PIPE
24	6024-MD2301	SPRING	52	6SGEBB04-35	SCREW
25	6004-MD2302	HOLDER BOTTOM	53	6SDABB3.5-18	SCREW
26	6DB-620301	BEARING	54	6183-MD2301	GASKET
27	6004-MD2301	HOLDER TOP	55	6014-211901	WASHER
28	6137-MD2301	PULLEY			