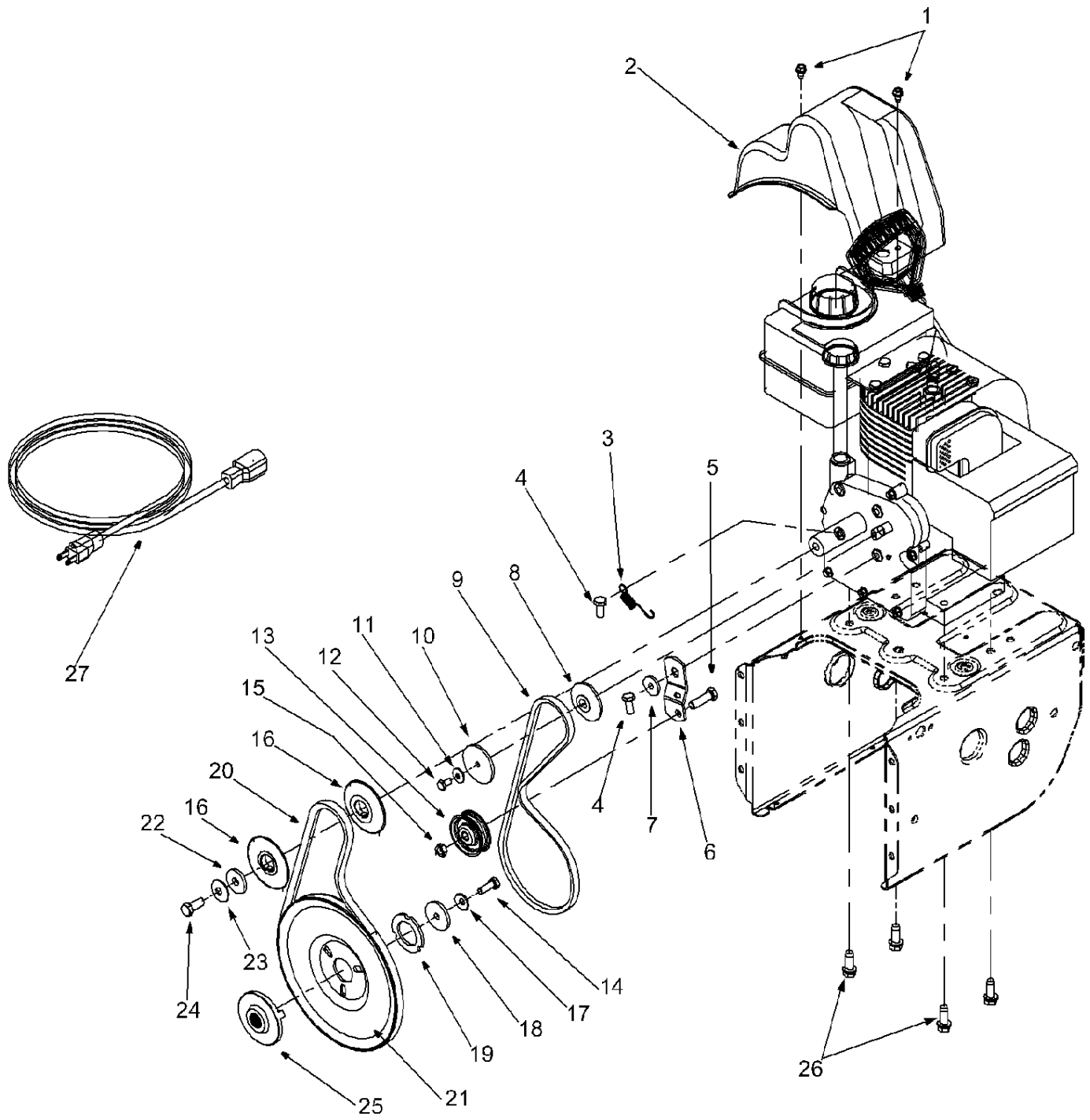
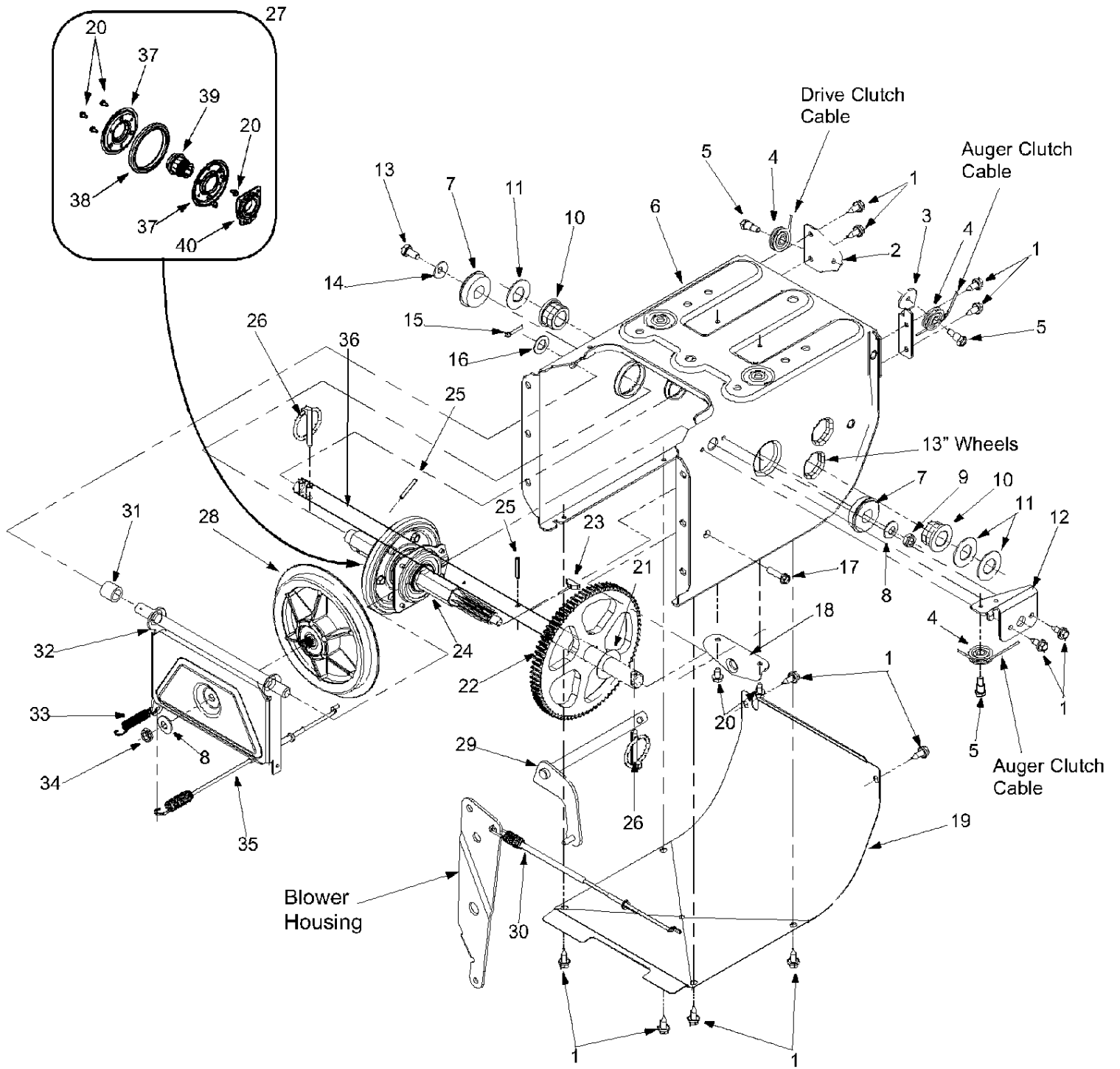


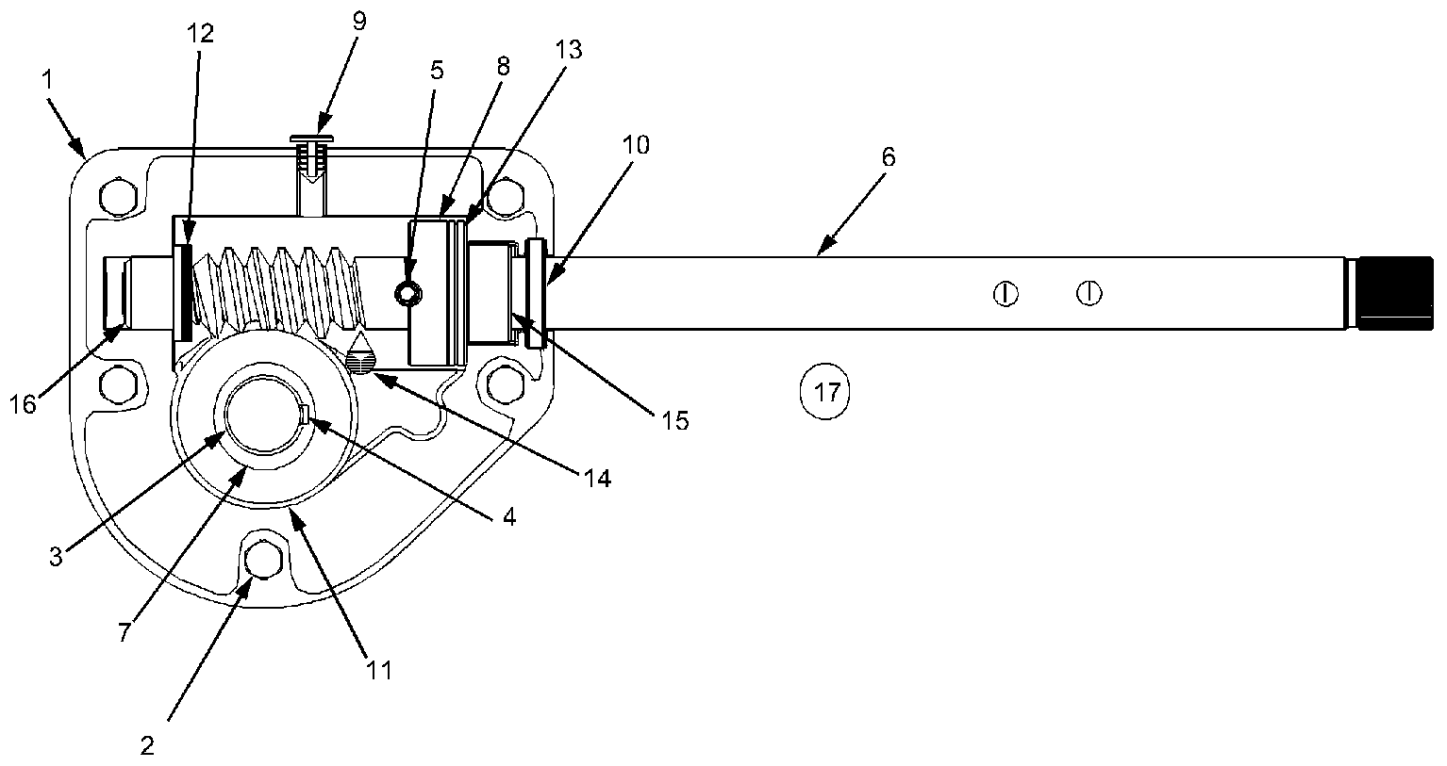
Ref #	Part Number	Qty	Description
1	712-0116		Lock Jam Nut 3/8-24
2	756-0178		Flat Idler
3	31B-611D352 (2000)		Auger Idler Arm
4	784-5632A Blower Housing		Hex Cap Screw 3/8-24 x 1.50
5	710-0459A		Shoulder Screw
6	738-0281		Wave Washer
7	736-0174		Extension Spring
8	732-0611		Hex Nut 5/16-18
9	712-3068		Hex Nut 5/16-18
10	712-3010		Lock Washer 5/16
11	736-0119		Housing
12	05931		Ball Bearing
13	741-0309		Carriage Bolt 5/16-18
14	710-0451		Reinforcement Chute
15	705-5226		22" Housing Assembly
16	684-0052B		Hex Nut 5/16-18
17	712-3010		Lock Washer 5/16
18	736-0119		Bell Washer
19	736-0242		Bushing
20	741-0475		Chute Directional Control Bracket
21	784-5647		Chute Adapter
22	731-1379A		Hex Lock Nut 1/4-20
23	712-0324		Flat Washer
24	736-0463		Carriage Bolt
25	710-0451		Carriage Screw 1/4-20 x .75
26	710-0703		Hex Washer Screw 5/16-18
27	710-0604		Lock Washer 3/8
28	736-0169		Hex Nut 3/8-16
29	712-0798		Carriage Bolt 5/16-18 x .75
30	710-0451		Snow Shoe
31	784-5580		Bell Washer
32	736-0242		Hex Nut 5/16-18
33	712-3010		22" Shave Plate
34	784-5576		24" Shave Plate
35	784-5581A		Carriage Bolt 5/16-18 x .62
36	710-0451		Impeller Assembly
37	684-0065		Pin
38	715-0114		22" Gear Assembly
39	618-0152		Spiral 22" RH
40	605-5252A		Flat Washer
41	736-0188		Flange Bushing
42	741-0493A		Spiral 22" LH
43	605-5253A		Spiral 24" LH
44	605-5189A		Shear Bolt 5/16-18 x 1.5
45	710-0890A		Lock Nut 5/16-18
46	712-0429		Hex Flange Bearing
47	741-0245		Bearing Housing
48	784-5618		



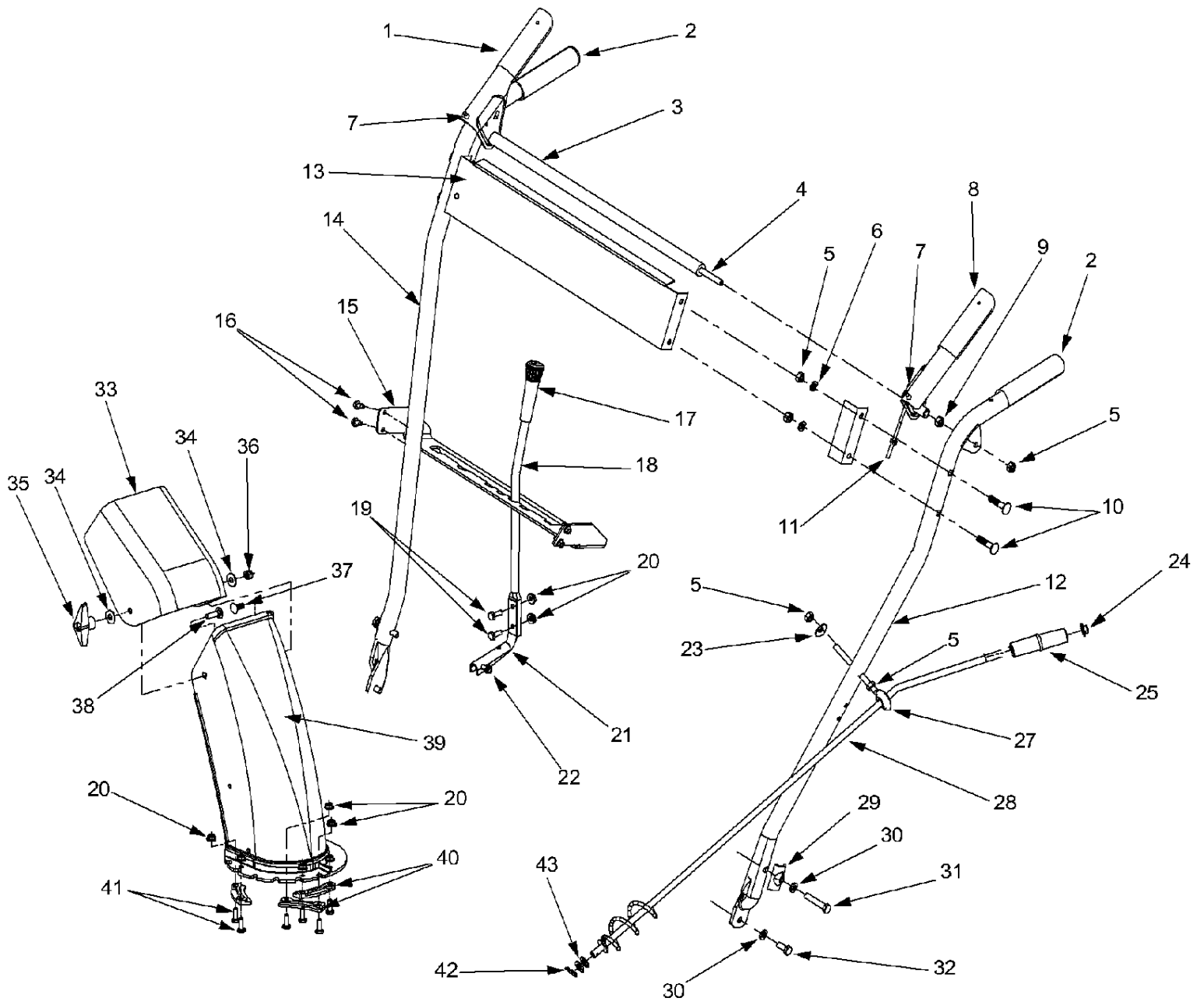
Ref #	Part Number	Qty	Description
1	710-1652		Hex Washer Screw 1/4-20 x.625
2	731-1324		Belt Cover
3	732-0339		Extension Spring
4	710-0627		Hex Screw 5/16-24 x .75
5	710-3005		Hex Cap Screw 3/8-16 x 1.25
6	05896A		Drive Clutch Bracket
7	748-0234		Shoulder Spacer
8	756-0985		Pulley Half
9	754-0343		V-Belt
10	756-0984		Pulley Half
11	736-0270		Bell Washer
12	710-0230		Hex Cap Screw 1/4-28 x .50
13	756-0313		Flat Idler
14	710-1245		Lock Cap Screw 5/16-24
15	712-0181		Lock Jam Nut 3/8-16
16	756-0569		Pulley Half
17	736-0242		Bell Washer
18	736-0505		Flat Washer
19	736-0507		Washer
20	754-0430A		Belt
21	756-0967		Auger Pulley
22	736-0247		Flat Washer
23	736-0331		Bell Washer
24	710-0696		Hex Cap Screw 3/8-24
25	748-0360		Pulley
26	710-0654A		Hex Washer Screw 3/8-16 x 1.0
27	629-0071		Extension Cord
	OEM-390-986		Electric Start Kit



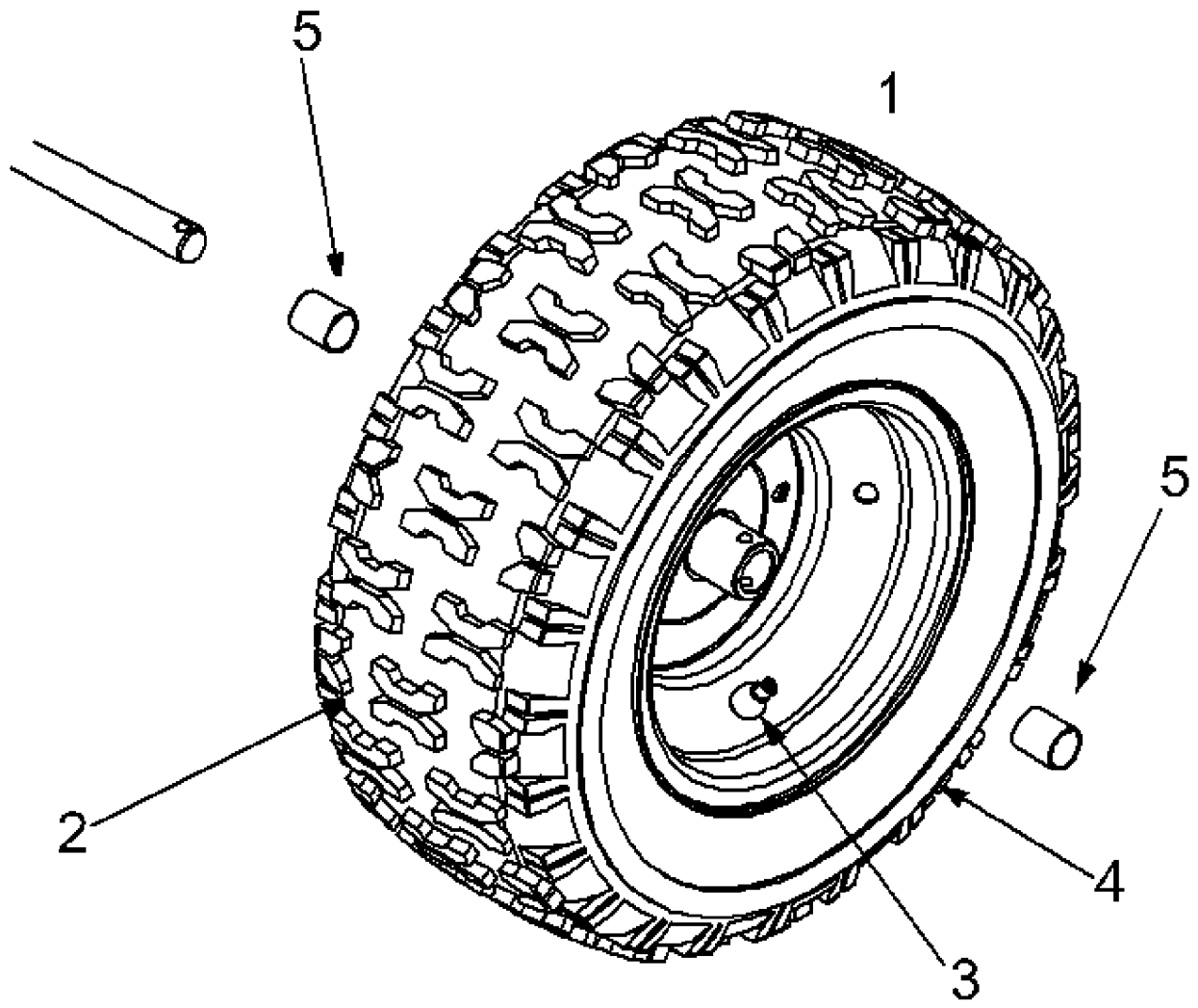
Ref #	Part Number	Qty	Description
1	710-1652		Hex Screw
2	784-5688		Drive Cable Guide Bracket
3	31B-611D352 (2000)		Auger Clutch Cable Bracket
4	784-5687A		Roller Cable
5	756-0625		Hex Screw 1/4-28
6	738-0924		Frame Assembly
7	684-0030		Ball Bearing
8	741-0563		Bell Washer
9	736-0105		Lock Jam Nut
10	712-0116		Hex Flange Bearing
11	741-0598		Flat Washer
12	736-0188		Front Support Guide Bracket
13	784-5689A		Lock Hex Screw
14	710-0538		Bell Washer .340 ID x .872 OD
15	736-0242		Cotter Pin
16	714-0474		Flat Washer .536 ID x .930 OD
17	736-0160		Hex Washer Screw 1/4-20
18	710-0788		Frame Shift Bracket
19	784-5590		Frame Cover
20	784-5638		Hex Washer Screw 1/4-20
21	710-0599		Flat Washer .760 ID x .50 OD
22	736-0351		Gear
23	717-1445		Key
24	714-0126		7-Tooth Shaft
25	717-1444		Roll Pin
26	715-0249		Klik Pin
27	714-0143		Friction Wheel Assembly
28	684-0042B		Friction Disc Wheel
29	656-0012A		Wheel Shift Rod Assembly
30	684-0013B		Drive Cable
31	746-0897		Spacer
32	748-0190		Friction Wheel Bracket Assembly
33	684-0021		Extension Spring
34	732-0264		Jam Nut 3/8-24
35	712-0711		Drive Cable
36	746-0898		22 .2" Axle (Used w/ 13 x 4 tire); 611D except
	738-0869		21.4" Axle (Used w/ 13 x 5 tire); 31B-611D352
	738-0991		
37	784-5617A		Friction Plate
38	735-0243		Friction Wheel Rubber
39	718-0301A		Friction Wheel Hub
40	618-0063		Friction Wheel Bearing



Ref #	Part Number	Qty	Description
1	618-0123		Housing R.H.
	618-0124		Housing L.H.
2	318-011 D352 (2000)		Hex Screw 1/4-20 x .75
	710-0642		Gear Assembly
3	711-1020		Spiral Axle 22"
4	714-0161		Key
5	715-0143		Pin-Spiral
6	717-0526		Shaft-Worm
7	717-0528		Gear-Worm
8	718-0186		Collar-Thrust
9	721-0325		Plug
10	721-0327		Seal-Oil
11	736-0351		Washer-Flat
12	736-0369		Washer-Flat
13	736-0445		Washer-Flat
14	737-0168		Grease
15	741-0662		Bearing-Flange
16	741-0663		Bearing-Flange
17	618-0152		Ass'y. Complete 22"



Ref #	Part Number	Qty	Description
1	705-5234		Clutch Lever Assy - RH
2	720-0204		Grip
3	731-1500		Pivot Rod Cover
4	747-0905		Pivot Rod
5	712-3010		Hex Nut 5/16-18
6	736-0119		Lock Washer 5/16
7	735-0199A		Rubber Bumper
8	705-5233		Clutch Lever Assy - LH
9	712-3027		Lock Hex Nut 1/4-20
10	710-0262		Carriage Bolt 5/16-18 x 1.50
11	746-0778	2	"Z" Fittings For Control Cables
12	684-0047A		Handle - LH
13	705-5232		Panel
14	684-0048A		Handle - RH
15	705-5231		Speed Select Panel
16	710-0599		Hex Washer Screw 1/4-20 x .50
17	720-0223		Grip
18	747-0904		Shift Lever
19	710-3015		Hex Cap Screw 1/4-20 x .75
20	712-3027		Hex Lock Nut 1/4-20
21	732-0733		Shift Lever Spring
22	710-0788		Hex Washer Screw 1/4-20 x 1.0
23	736-0242		Bell Washer
24	726-0100		Push Cap
25	720-0201A		Chute Knob
27	747-0697		Eyebolt
	735-0234		Grommet only
28	705-5204A		Chute Directional Control Assembly
29	784-5599		Handle Tab
30	736-0119		Lock Washer 5/16
31	710-3180		Hex Cap Screw 5/16-18 x 1.75
32	710-3008		Hex Cap Screw 5/16-18 x .75
33	731-0921		Upper Chute
34	736-0159		Washer 5/16
35	720-0284		Knob
36	712-0429		Hex Lock Nut 5/16-18
37	710-0451		Carriage Bolt 5/16-18 x .75
38	710-0276		Carriage Screw 5/16-18 x 1.0
39	731-1300A		Lower Chute
40	731-0851A		Flange Keeper
41	710-3015		Hex Cap Screw 1/4-20 x .75
42	714-0104		Cotter Pin
43	736-0185		Flat Washer 3/8



Ref #	Part Number	Qty	Description
1	634-0166 31B-611D352 (2000)		Wheel Ass'y Complete ALL 611D except 31B-611D352; (Used w/22" Housing)
2	734-0152 Wheel Assembly		Tire Only ALL 611D except 31B-611D352; (Used w/22" Housing)
3	734-0255		Air Valve ALL 611D except 31B-611D352
4	684-0129		Rim Only ALL 611D except 31B-611D352; (Used w/22" Housing)
5	741-0401		Sleeve Bearings (2) ALL 611D except 31B-611D352
6	714-0143		Klick Pin ALL 611D except 31B-611D352