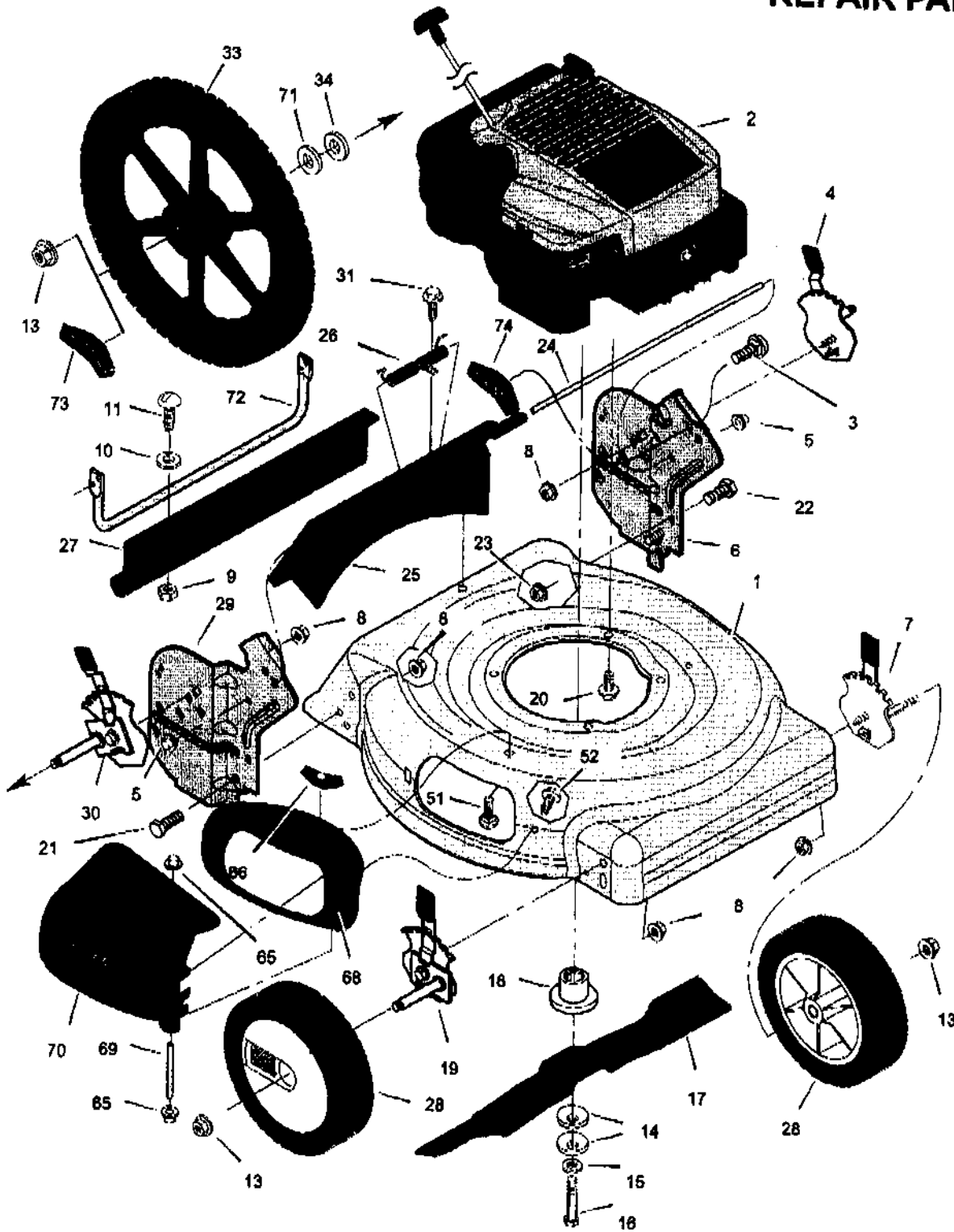


# MODEL 205310x99A

# REPAIR PARTS



NATURE SAVER™ FAX MEMO 01516	Date	# of pages ▶
To <i>Michelle</i>	From <i>Murray BA</i>	
Co /Dept.	Co	
Phone #	Phone #	
Fax # <i>800 873 6720</i>	Fax #	

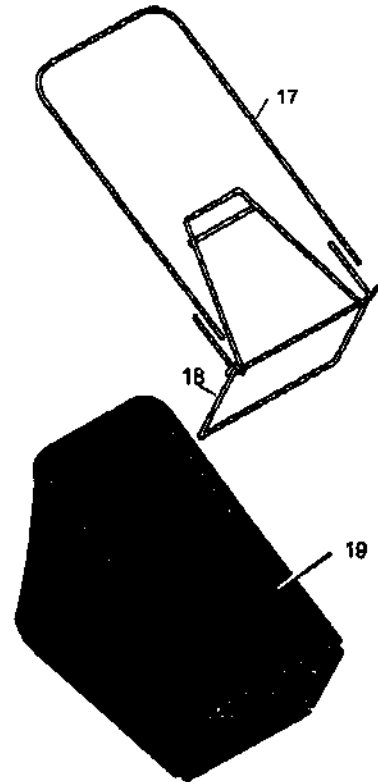
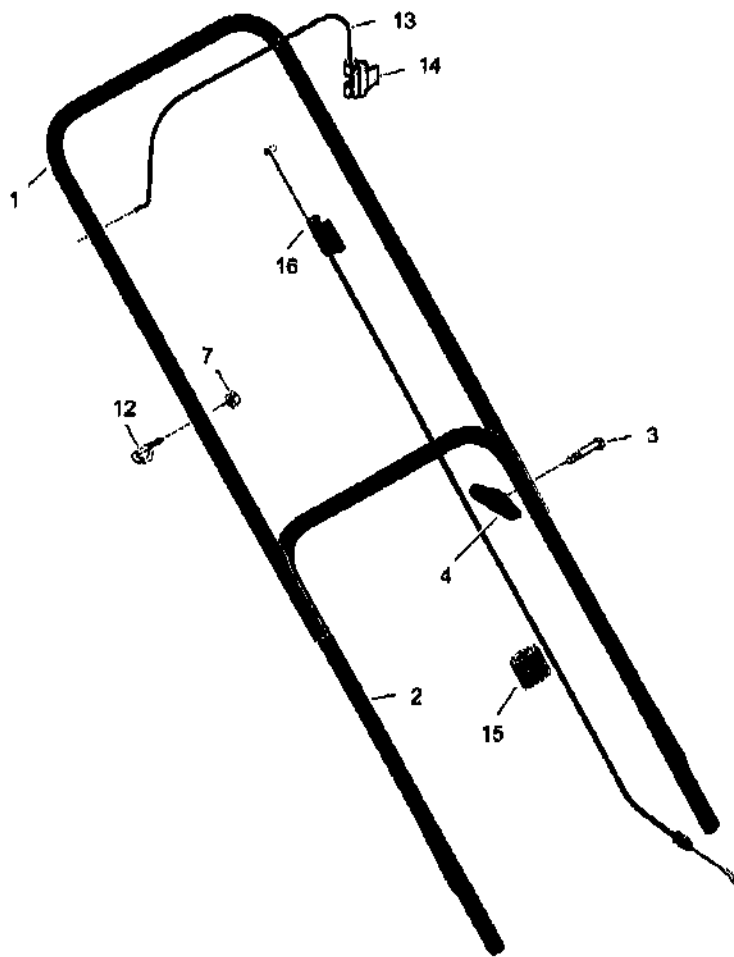
**MODEL 205310x99A**

KEY NO.	DESCRIPTION	PART NO.
1	Housing	776163
2	Engine *	*
3	Bolt, Carriage	002x81
4	Adjuster, Left Rear Height	672607
5	Push On Cap	028x49
6	Bracket, Left Handle	1101245E701
7	Adjuster, Left Front Height	672601
8	Nut, Flange	015x88
9	Nut, Hex	15x102
10	Washer	017x38
11	Screw	004x21
12	Hub Cap - Optional	043616
13	Nut, Flange	015x84
14	Washer, Belleville	17x137
15	Washer	17x124
16	Bolt	01x153
17	Blade	672763E701
18	Adapter, Blade	672503
19	Adjuster, Right Front Height	672600
20	Bolt, Engine	0025x6
21	Bolt	001x85
22	Bolt	001x45
23	Nut, Flange	015x79

**REPAIR PARTS**

KEY NO.	DESCRIPTION	PART NO.
24	Rod, Pivot	215x17 Z
25	Door, Rear (Black)	672611
26	Spring	186x44
27	Guard, Rear	671969
28	Wheel & Tire	672060
29	Bracket, Right Handle	1101244E7014
30	Adjuster, Right Rear Height	672606
31	Screw	26x245
32	Bolt	001x85
33	Wheel, Rear	672074
34	Washer	0020x3
51	Bolt, Carriage	002x18
52	Screw	26x221
65	Push On Cap	028x42
66	Wingnut	071495
68	Bezel (Black)	671926
69	Pin, Pivot	215x18 Z
70	Deflector, Chute (Black)	671827
71	Washer	017x91 Z
73	Knob	672449
—	Instruction Book	F-020400L

\* Parts are available from an Authorized Engine Service Center. See "Engines, Gasoline" or "Gasoline Engines" in the yellow pages of the telephone directory.

**MODEL 205310x99A****REPAIR PARTS**

KEY NO.	DESCRIPTION	PART NO.
1	Handle, Upper (Black)	1101555E701
2	Handle, Lower (Black)	672874E701
3	Bolt	002x77
4	Knob, Plastic	071294
7	Locknut	15x116
12	Guide, Rope	071630
13	Engine Stop Lever	671924E700

KEY NO.	DESCRIPTION	PART NO.
14	Bracket, Stop Lever	1101454
15	Fastener, Double Cable	1101353
16	Engine Stop Cable	1101362
17	Frame, Top	071592
18	Frame Assembly	672905
19	Bag, Cloth - Black	1101003