

PARTS MANUAL

Model

**RG4300iS
Generator**

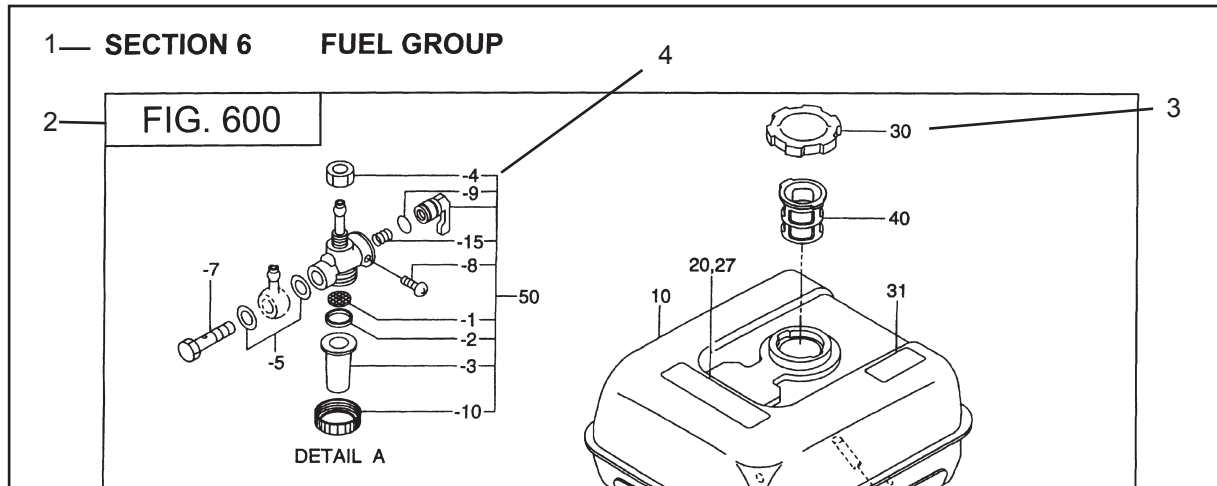
PUB-GP6052
Rev. 09/04

Robin America, Inc.

940 Lively Blvd. • Wood Dale, IL 60191 • Phone: 630-350-8200 • Fax: 630-350-8212
e-mail: sales@robinamerica.com • www.robinamerica.com

© Copyright 2004 Robin America, Inc.

MANUAL LAYOUT



REF.	PART NO.	DESCRIPTION	QTY.	REMARKS	FROM-TO	FIG.
10	267-60103-01	FUEL TANK CP	1	YD, YS TYPE, BLACK		600
	267-60101-01	FUEL TANK CP	1	YELLOW		600
27	073-20039-00	LABEL, WARNING	1	YD, YS TYPE		600
30	043-04300-15	FUEL TANK CAP CP	1			600
31	267-95201-03	LABEL, EMISSION	1	YD, YS TYPE		600
40	064-13600-10	FUEL FILTER	1			600
50	064-20021-01	FUEL STRAINER AY	1			600
-1	064-20002-20	FILTER	1			600
-2	064-20002-30	GASKET	1			600
-3	064-20019-10	CUP	1			600

1. SECTION NAME Parts are broadly classified according to their functions. Refer to the Group Index (table of contents) for respective section name.
2. FIG. No. The FIG. number indexes the reference and part numbers to the illustration. Figure numbers that vary only in the tens place (i.e.: 700 and 710) are in a group of the same section (i.e.:Electrical Device Group).
3. REF. No. The Reference number identifies the part illustration with the corresponding part number in the part list.
4. SUBASSEMBLY SUBASSEMBLY parts of part assembly are listed below the assembly part. The subassembly part reference number is indicated by the number led by "-" such as "-1", "-2".
5. PART NUMBER It is the number assigned for sales unit. Use the PART No. when making an order.
6. DESCRIPTION It is designation of the part.
7. QTY. Quantity of each part used for each product.
8. REMARKS This gives a distinctive feature and/or a supplementary comment for the type, the specification, and the part concerned. It also shows part number(s) interchangeable for the part.
9. FROM-TO This section shows the CODE No. to indicate the history of progress in which improved parts have been introduced in the product. The FROM-TO CODE No. helps to identify PART No. being employed in the product concerned. See the examples below:
 - The part is used in the product irrespective of CODE No.
 - 2101- The part is used in the products with CODE No. of 2101 and after this number.
 - 2100 The part is used in the products with CODE No. of 2100 and before this number.

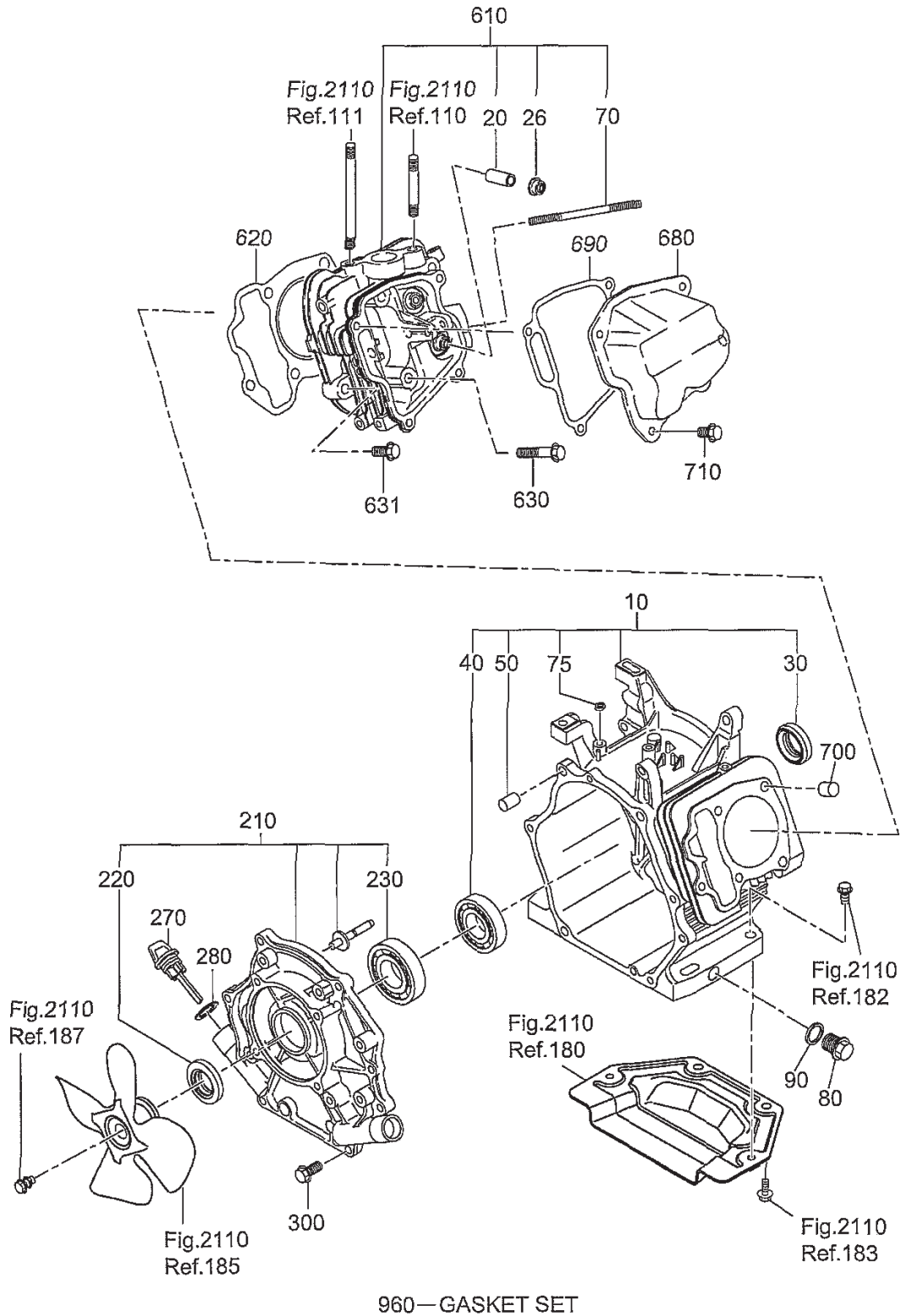
GROUP INDEX

Group Name	Page
CRANKCASE	6
CRANKSHAFT, PISTON	8
INTAKE, EXHAUST	10
GOVERNOR, OPERATION.....	12
ELECTRIC DEVICE	14
ENGINE.....	18
GENERATOR	28
BASE, FRAME	30
CONTROL.....	32
COVER.....	36
FUEL TANK	40
ACCESSORY GROUP	42

INDEX OF DESCRIPTION SYMBOLS			
SYMBOL	DESCRIPTION	SYMBOL	DESCRIPTION
AY	ASSEMBLY	P=	PITCH (in mm)
CP.....	COMPLETE	P.T.O. (PTO)	POWER TAKE OFF
EX.....	EXPORT (from Japan)	REF.....	REFERENCE
FIG.....	FIGURE	R.H. (RH).....	RIGHT HAND SIDE
FR.....	FRONT	RR.....	REAR
"	INCH	STD.	STANDARD
INCL.	INCLUDE	SW.....	SWITCH
~L.....	LITER	T=	THICKNESS (in mm)
L=	LENGTH (in. mm)	UN	UNIT
L.H. (LH).....	LEFT-HAND SIDE	U.S.....	UNDER SIZE
MECH.....	MECHANICAL	~V	VOLTAGE
NO (NON).....	NONE	~W	WATT
OPT.....	OPTIONAL	W/	WITH
O.S.	OVER SIZE	W/O	WITHOUT

SECTION 1 CRANKCASE GROUP

FIG. 100

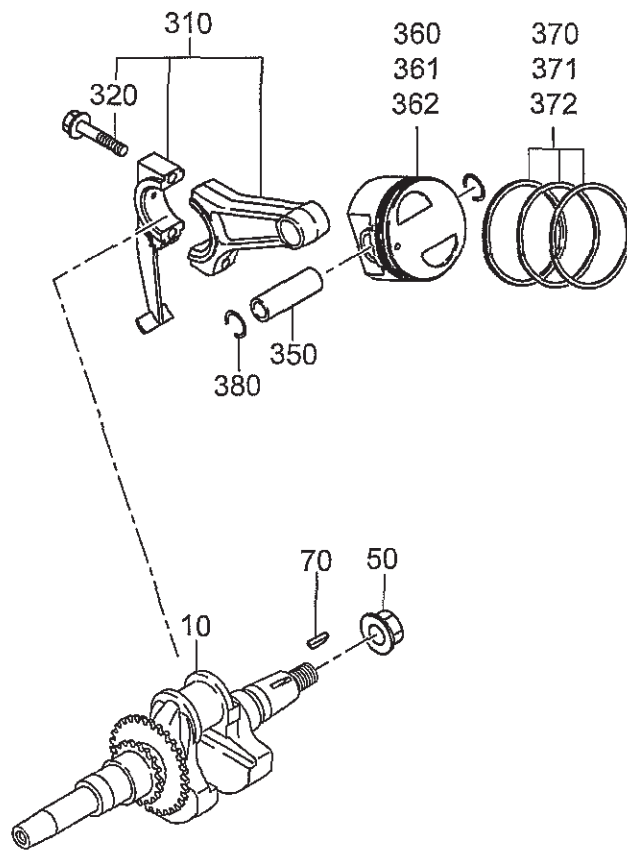


SECTION 1 CRANKCASE GROUP

REF	PART NO	DESCRIPTION	QTY	REMARKS	FROM - TO	FIG
10	279-10102-51	CRANKCASE	1			100
20	237-14202-03	VALVE GUIDE	2			100
26	277-16010-01	STEM SEAL	1			100
30	044-03001-60	OIL SEAL	1			100
40	060-03003-41	BALL BEARING	1			100
50	277-15011-03	PIPE KNOCK	2			100
70	010-50604-10	STUD	2			100
75	044-00600-20	OIL SEAL	1			100
80	040-11400-30	PLUG	2			100
90	021-11400-20	GASKET	2			100
210	279-11001-21	MAIN BEARING COVER	1			100
220	044-03001-60	OIL SEAL	1			100
230	060-03003-70	BALL BEARING	1			100
270	279-63601-13	OIL GAUGE	2			100
280	021-32000-50	GASKET	2			100
300	001-04083-50	FLANGE BOLT	6			100
610	279-13005-01	CYLINDER HEAD	1			100
620	279-15001-33	GASKET, cylinder head	1			100
630	011-00802-40	FLANGE BOLT	4			100
631	011-00803-10	FLANGE BOLT	1			100
680	277-15501-01	ROCKER COVER	1			100
690	277-16001-13	GASKET, rocker cover	1			100
700	277-15011-03	PIPE KNOCK	2			100
710	011-00600-20	FLANGE BOLT	4			100
960	279-99001-27	GASKET SET	1			100

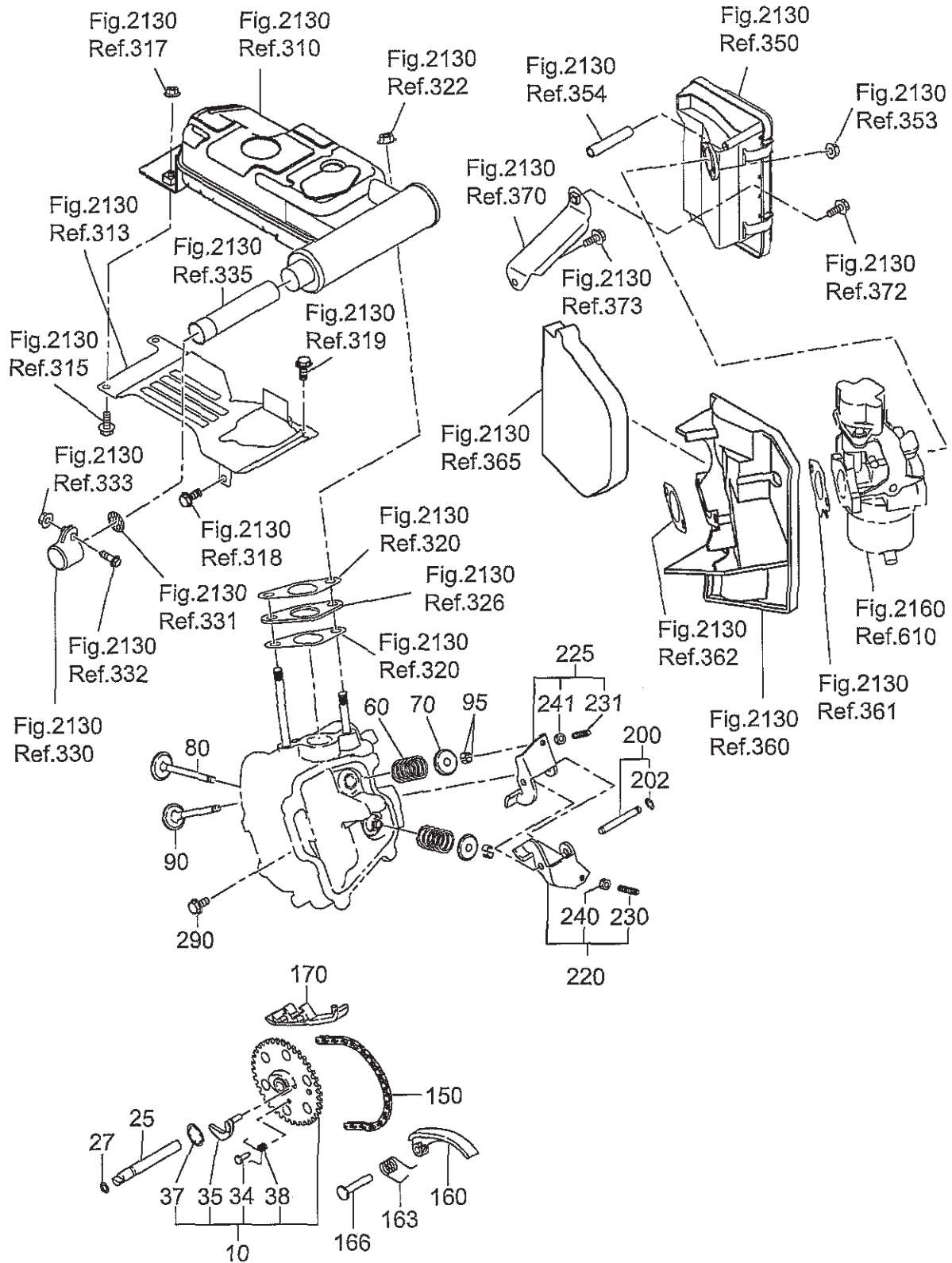
SECTION 2 CRANKSHAFT, PISTON GROUP

FIG. 200



SECTION 3 INTAKE, EXHAUST GROUP

FIG. 300

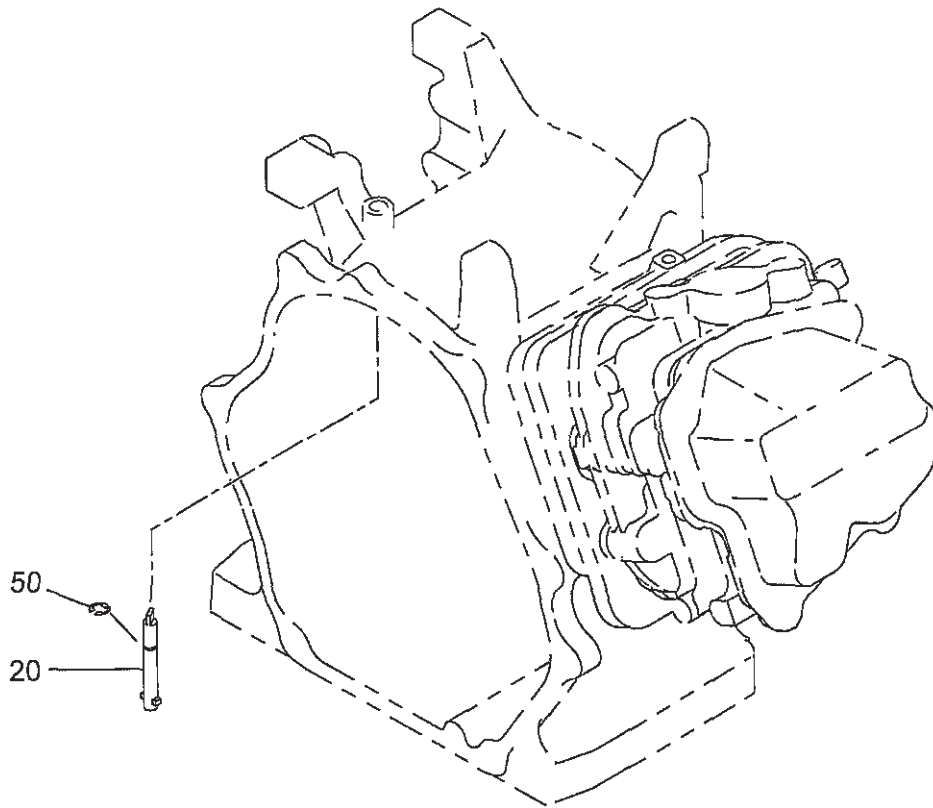


SECTION 3 INTAKE, EXHAUST GROUP

REF	PART NO	DESCRIPTION	QTY	REMARKS	FROM - TO	FIG
10	279-31602-11	CAMSHAFT	1			300
25	277-35101-03	PIN, camshaft	1			300
27	024-00600-10	O RING	1			300
34	277-38601-03	PIN, spring	1			300
35	279-36401-03	RELEASE LEVER	1			300
37	277-36501-03	CLIP	1			300
38	279-38701-13	RETURN SPRING	1			300
60	279-33601-03	VALVE SPRING	2			300
70	269-33701-03	SPRING RETAINER	2			300
80	279-33401-13	INTAKE VALVE	1			300
90	279-33501-13	EXHAUST VALVE	1			300
95	132-10KA0-31	COLLET VALVE	4			300
150	279-35601-11	TIMING CHAIN	1			300
160	277-36911-03	TENTIONER	1			300
163	277-37101-03	SPRING, tentioner	1			300
166	277-36902-03	PIN, tentioner	1			300
170	277-36913-13	CHAIN GUIDE	1			300
200	277-35002-01	PIN, rocker	1			300
202	003-13050-00	CLIP	1			300
220	277-36201-00	ROCKER ARM, intake	1			300
225	277-36202-00	ROCKER ARM, exhaust	1			300
230	014-90500-20	ADJUST SCREW	1			300
231	014-90500-20	ADJUST SCREW	1			300
240	017-00500-30	NUT	1			300
241	017-00500-30	NUT	1			300
290	011-00600-20	FLANGE BOLT	1			300

SECTION 4 GOVERNOR, OPERATION GROUP

FIG. 400

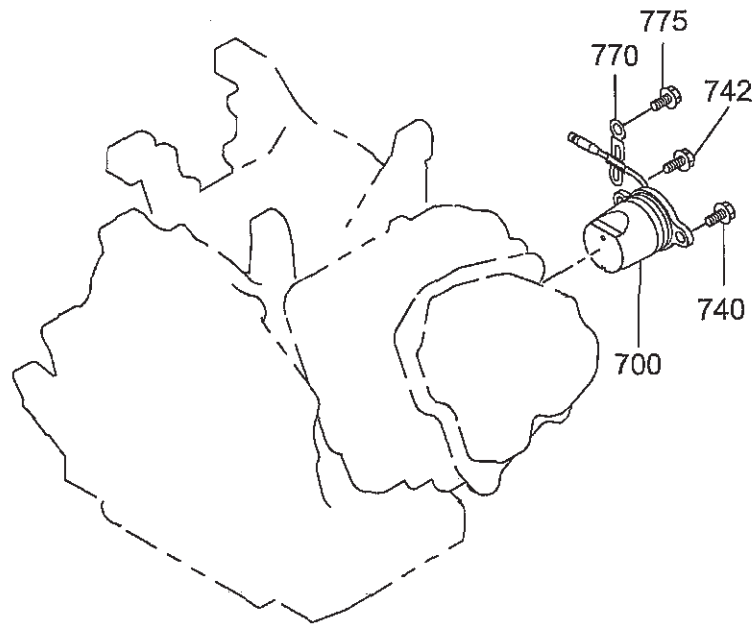
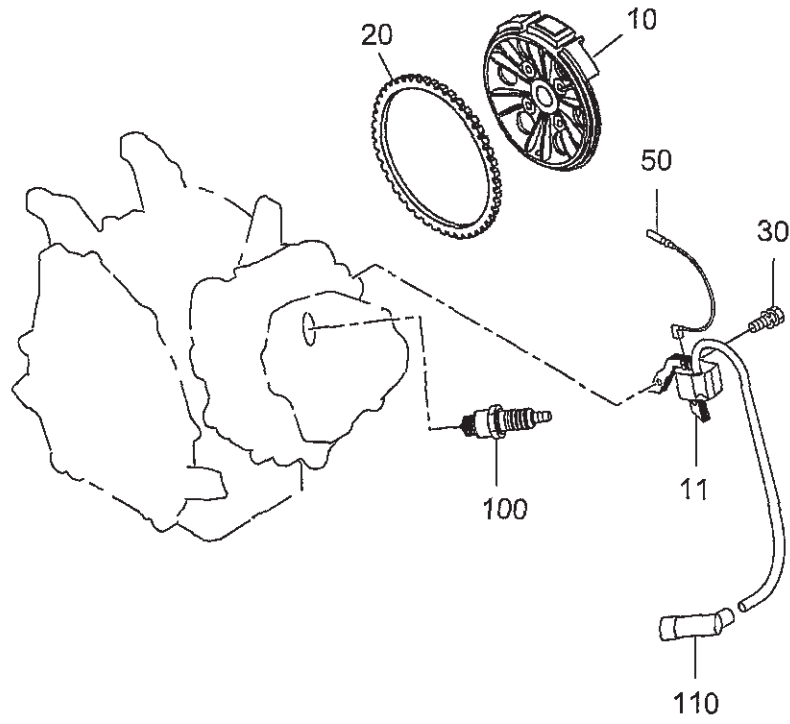


SECTION 4 GOVERNOR, OPERATION GROUP

REF	PART NO	DESCRIPTION	QTY	REMARKS	FROM - TO	FIG
20	277-48601-03	PIN, blind	1			400
50	003-13050-00	CLIP	1			400

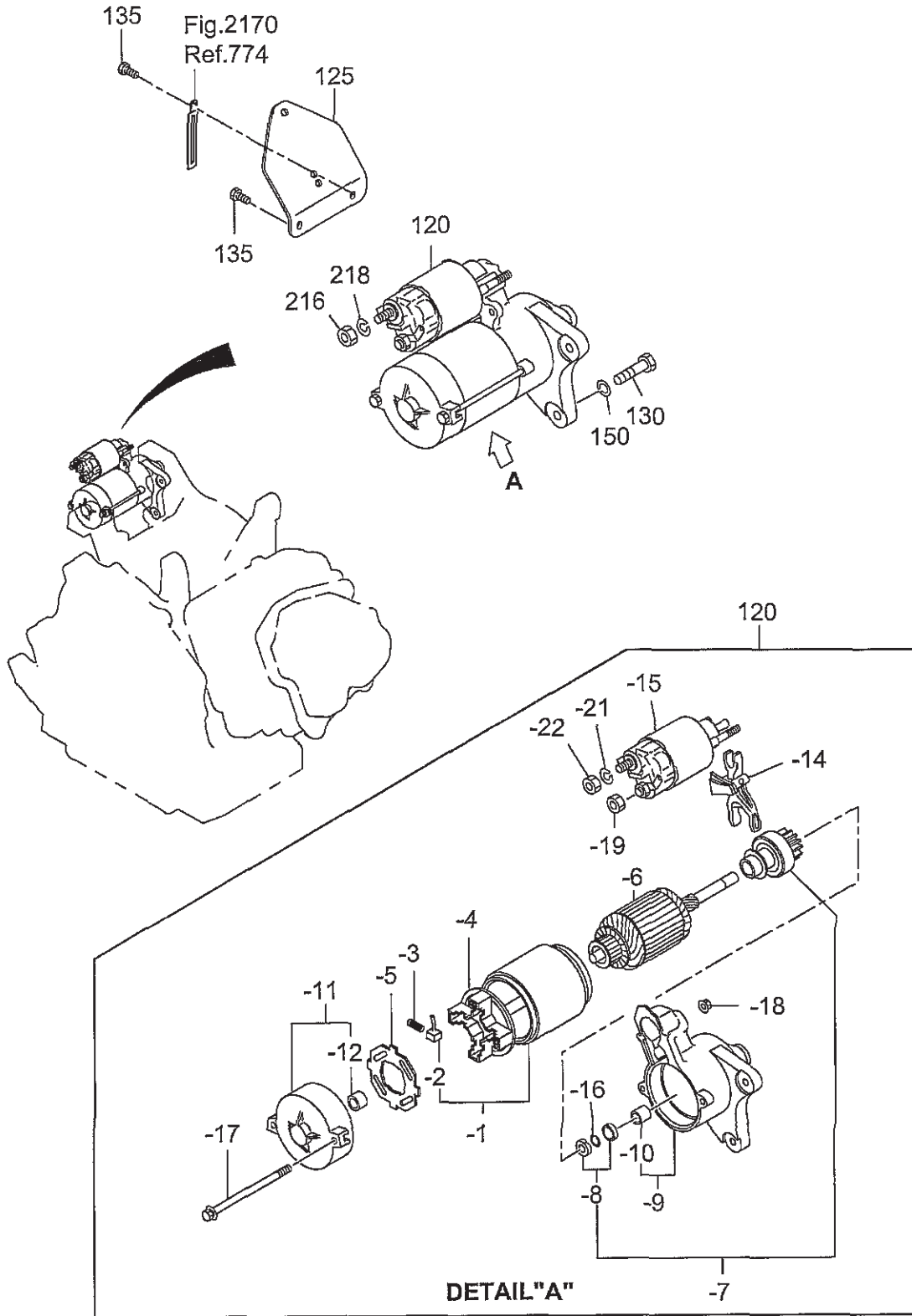
SECTION 7 ELECTRIC DEVICE GROUP

FIG. 700



SECTION 7 ELECTRIC DEVICE GROUP

FIG. 720

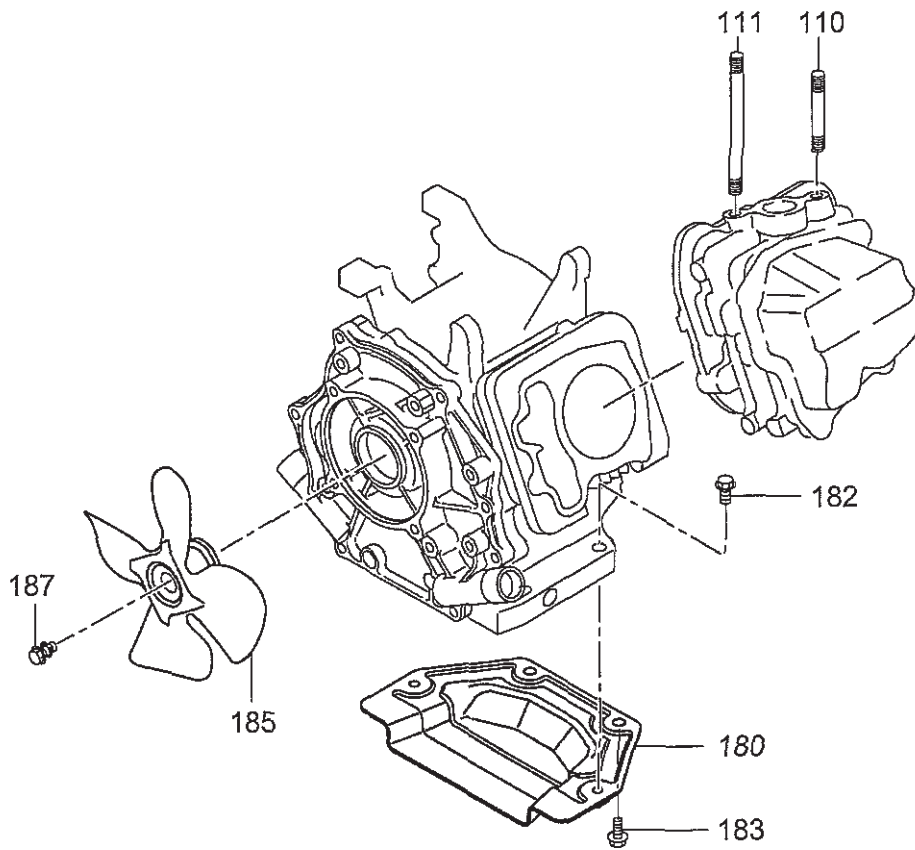


SECTION 7 ELECTRIC DEVICE GROUP

REF	PART NO	DESCRIPTION	QTY	REMARKS	FROM - TO	FIG
120	279-70502-00	STARTING MOTOR	1			720
-1	209-70550-08	YOKE	1			720
-2	209-70551-08	BRUSH	4			720
-3	209-70545-08	BRUSH SPRING	4			720
-4	209-70530-08	BRUSH COLLAR	1			720
-5	209-70552-08	INSULATOR	1			720
-6	209-70554-08	ARMATURE	1			720
-7	209-70521-08	OVER RUNNING CLUTCH	1			720
-8	234-70555-08	PINION STOPPER	1			720
-9	279-70550-08	HOUSING	1			720
-10	209-70511-08	BUSH	1			720
-11	209-70505-18	FRAME	1			720
-12	209-70510-08	BUSH	1			720
-14	209-70525-08	LEBER	1			720
-15	279-70515-08	MAGNET SWITCH	1			720
-16	209-70557-18	SNAP RING	1			720
-17	209-70558-08	THROUGH BOLT	2			720
-18	949-29970-02	NUT	2			720
-19	209-70560-08	NUT	1			720
-21	107-70652-08	SPRING WASHER	1			720
-22	211-70584-08	NUT	1			720
125	279-76511-11	BRACKET	1			720
130	214-79007-01	BOLT, STARTER	2			720
135	011-00600-20	FLANGE BOLT	3			720
150	003-10080-00	WASHER	2			720
216	002-17080-00	NUT	1			720
218	003-20080-00	SPRING WASHER	1			720

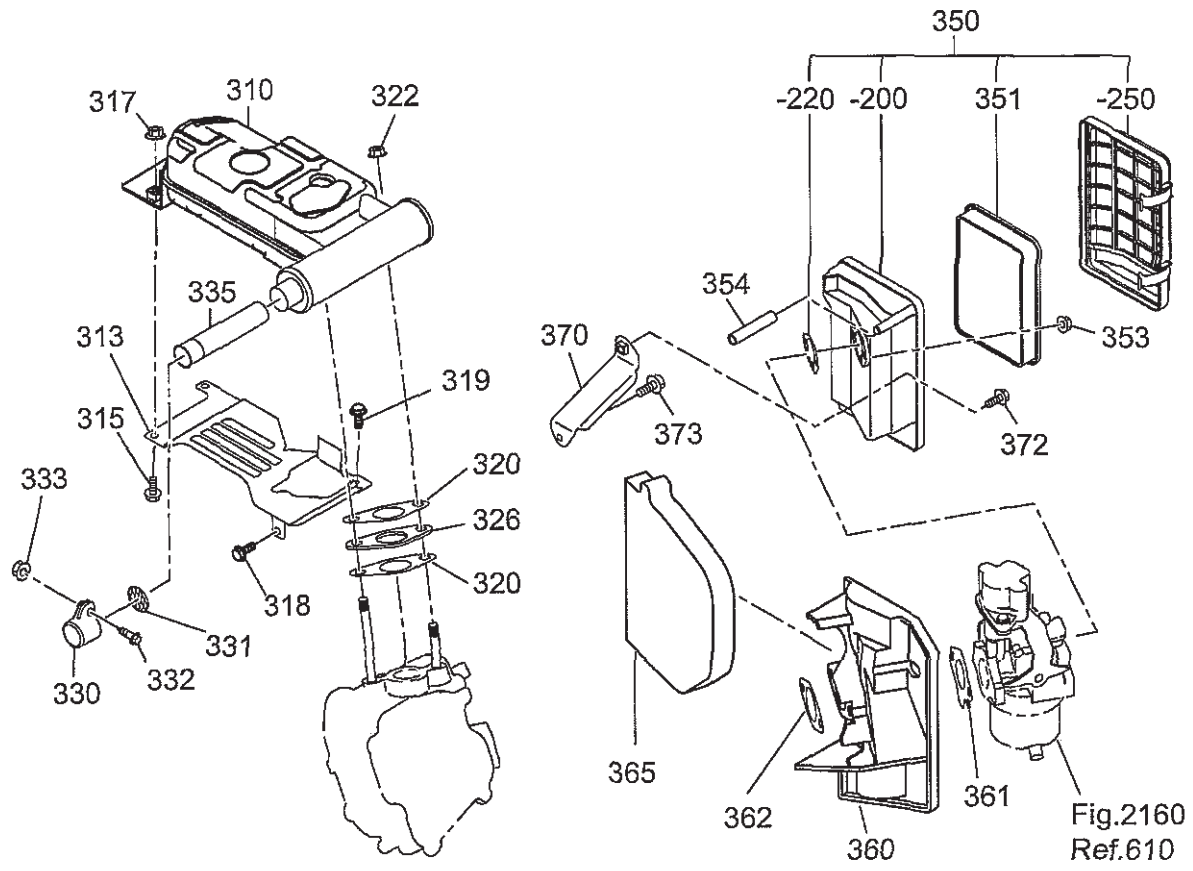
SECTION 21 ENGINE GROUP

FIG. 2110



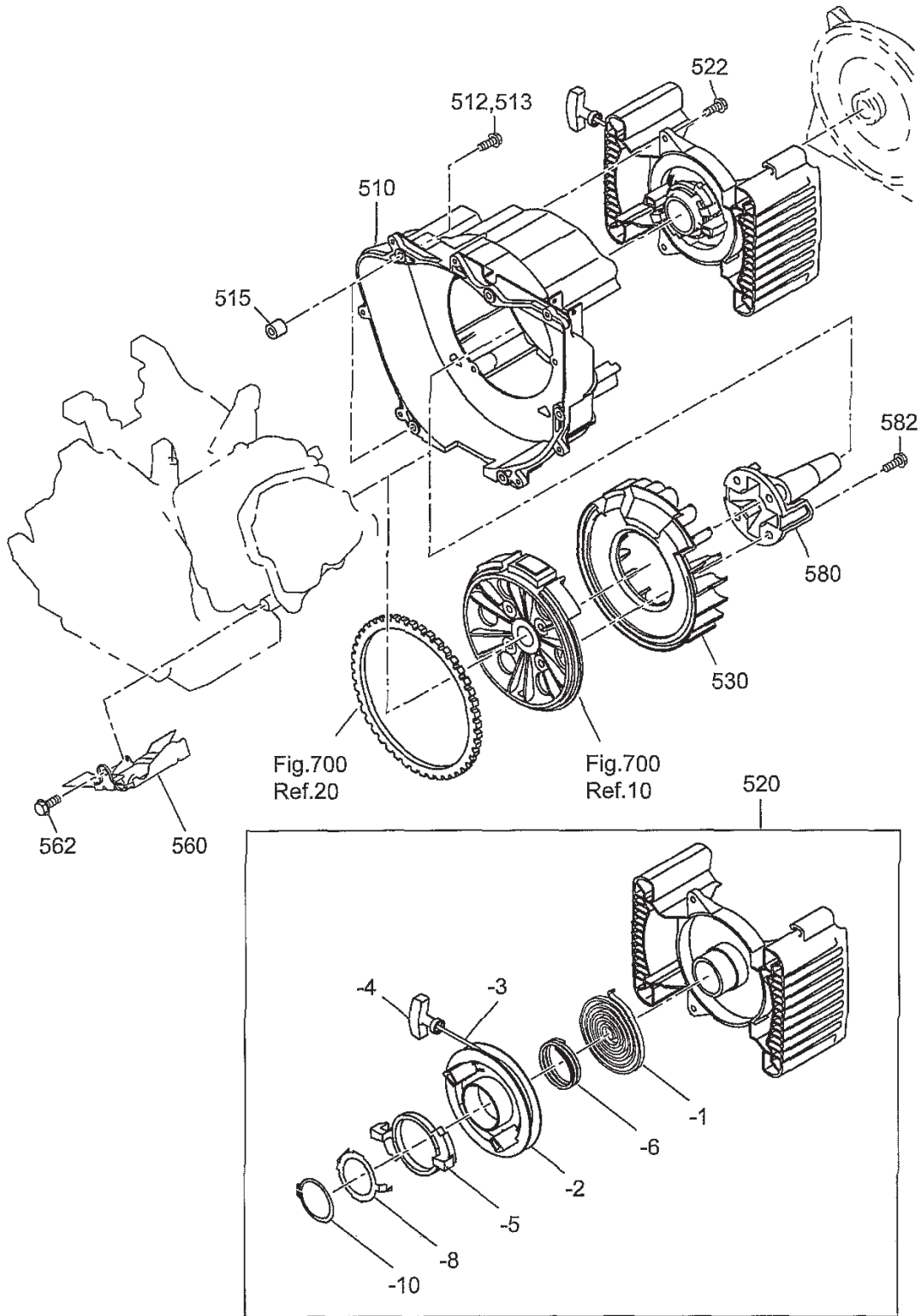
SECTION 21 ENGINE GROUP

FIG. 2130



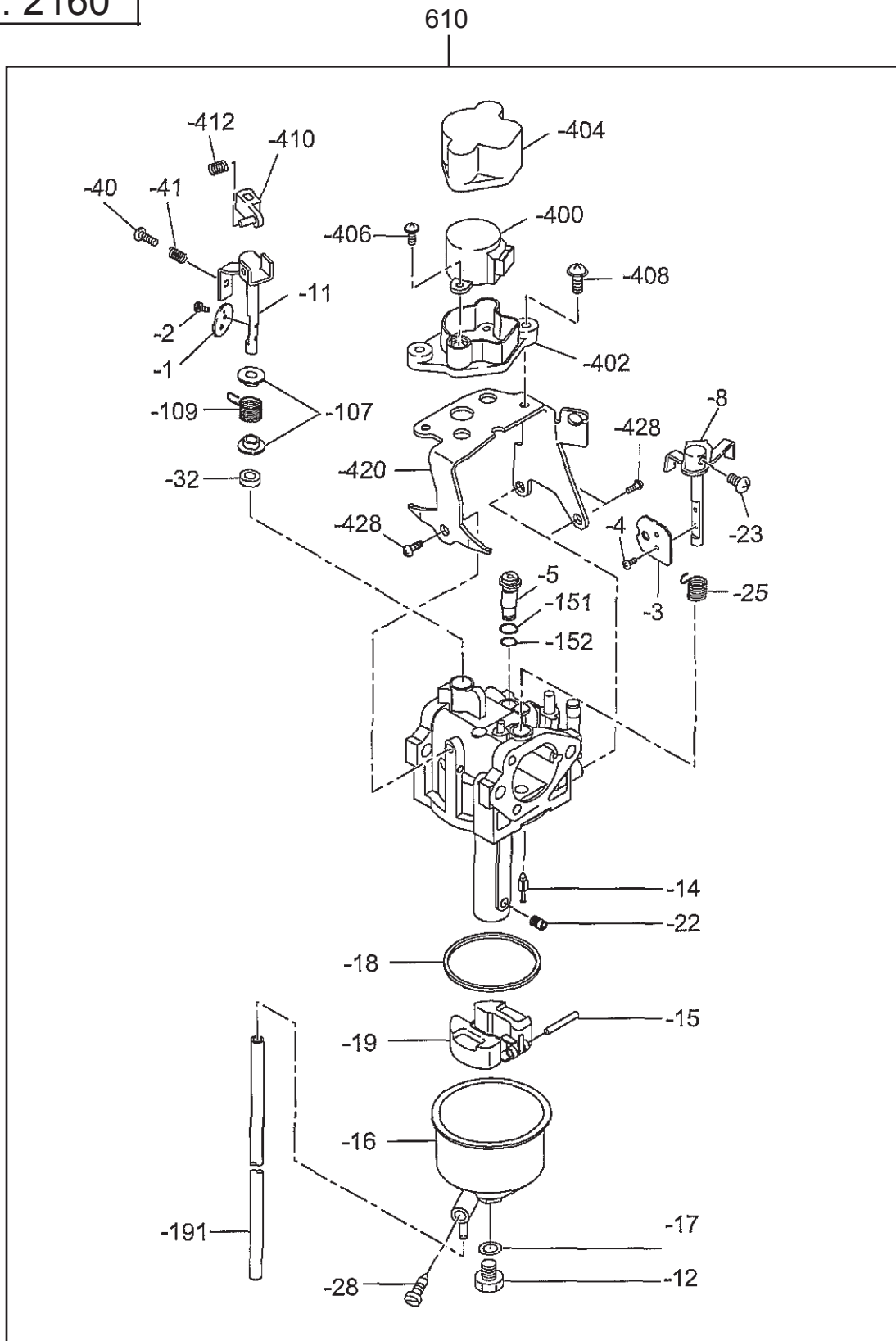
SECTION 21 ENGINE GROUP

FIG. 2150



SECTION 21 ENGINE GROUP

FIG. 2160

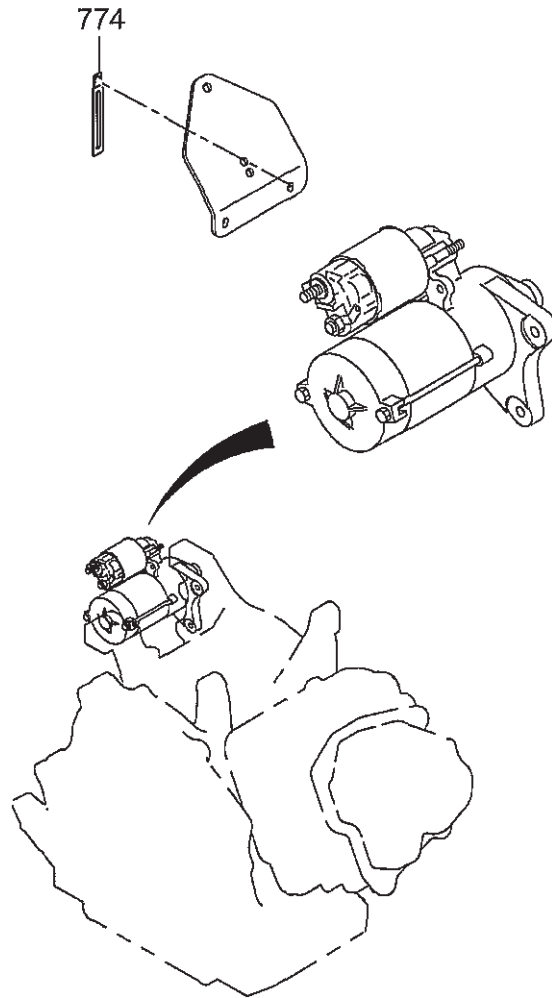


SECTION 21 ENGINE GROUP

REF	PART NO	DESCRIPTION	QTY	REMARKS	FROM - TO	FIG
610	279-62330-00	CARBURETOR	1			2160
-1	279-62535-08	THROTTLE VALVE	1			2160
-2	251-62450-08	SCREW	2			2160
-3	279-62526-08	CHOKE VALVE	1			2160
-4	251-62450-08	SCREW	2			2160
-5	279-62420-08	SLOW JET	1			2160
-8	279-62521-08	CHOKE LEVER	1			2160
-11	279-62531-08	THROTTLE SHAFT	1			2160
-12	251-62453-08	BOLT	1			2160
-14	279-62500-08	NEEDLE	1			2160
-15	279-62515-08	PIN	1			2160
-16	279-62553-08	FLOAT BODY	1			2160
-17	251-62350-08	GASKET	1			2160
-18	279-62540-08	GASKET CHAMBER	1			2160
-19	279-62505-08	FLOAT SUB AY	1			2160
-22	279-62400-08	MAIN JET	1			2160
-23	284-62456-08	SCREW	1			2160
-25	279-62447-08	CHOKE SPRING	1			2160
-28	279-62581-08	SCREW	1			2160
-32	279-62561-08	BUSH	1			2160
-40	279-62353-18	ADJUST SCREW	1			2160
-41	279-62445-08	SPRING	1			2160
-107	279-62565-08	COLLAR	2			2160
-109	284-62315-08	THROTTLE SPRING	1			2160
-151	279-62452-08	O RING	1			2160
-152	279-62451-08	O RING	1			2160
-191	279-62590-08	VINYAL PIPE	1			2160
-400	284-62580-08	MOTOR	1			2160
-402	284-62576-08	BRACKET, MOTOR	1			2160
-404	277-62595-08	COVER, MOTOR	1			2160
-406	284-62458-08	SCREW	2			2160
-408	284-62457-08	SCREW	2			2160
-410	279-62600-08	JOINT LEVER	1			2160
-412	284-62446-08	SPRING	1			2160
-420	279-62575-08	BRACKET	1			2160
-428	279-62580-08	SCREW	3			2160

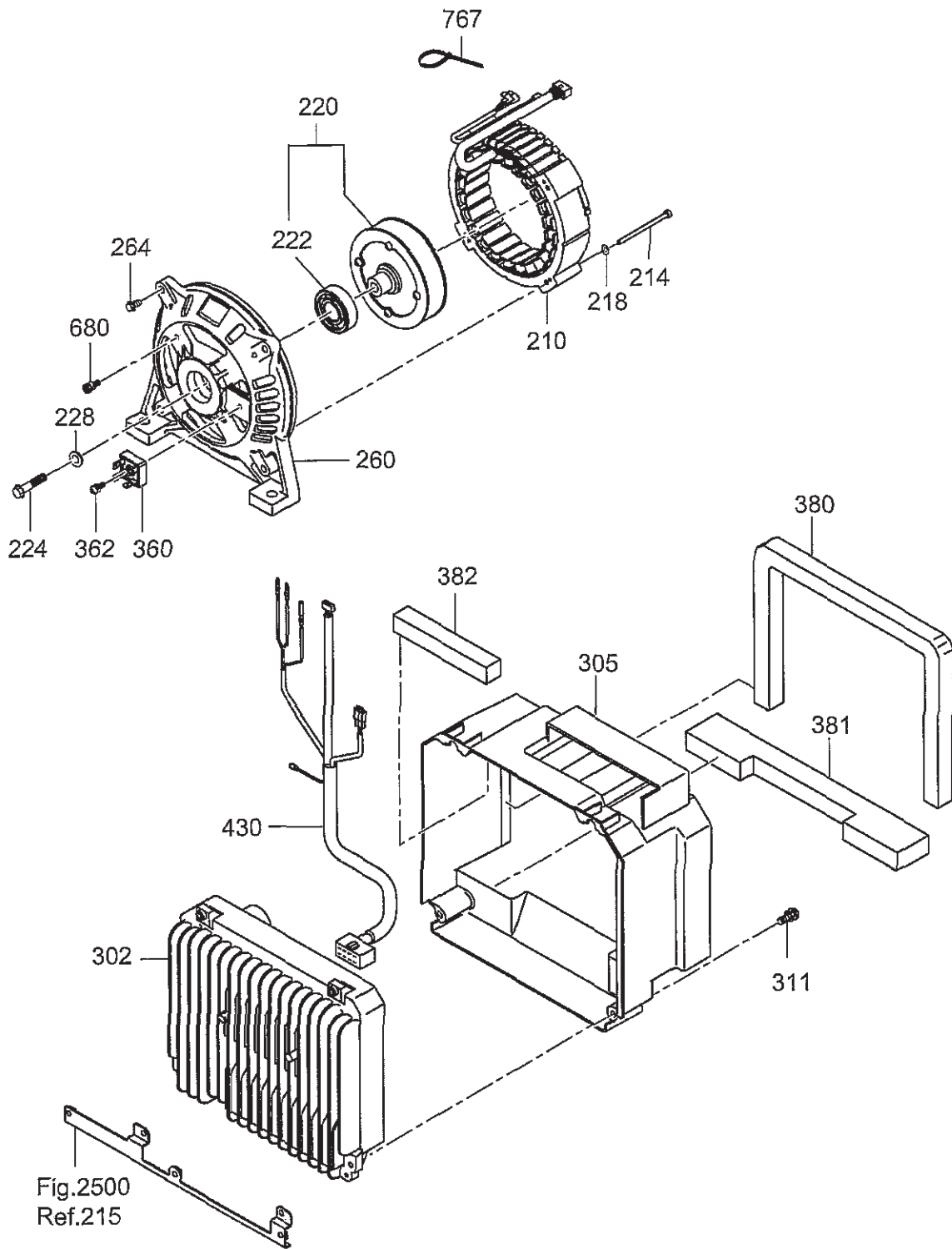
SECTION 21 ENGINE GROUP

FIG. 2170



SECTION 22 GENERATOR GROUP

FIG. 2200

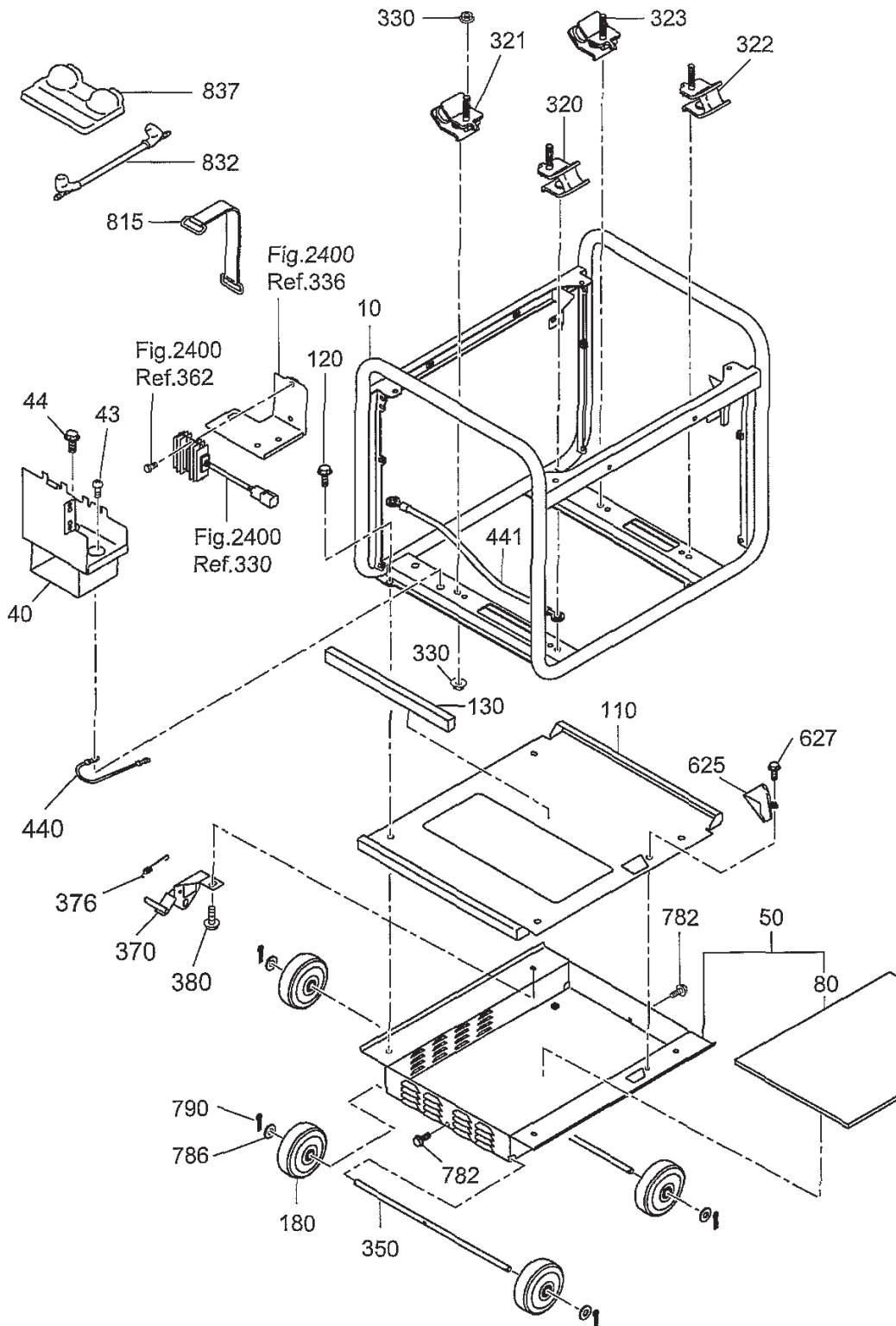


SECTION 22 GENERATOR GROUP

REF	PART NO	DESCRIPTION	QTY	REMARKS	FROM - TO	FIG
210	34D-20051-01	STATOR	1			2200
214	34D-21051-08	BOLT	4			2200
218	003-20050-00	SPRING WASHER	4			2200
220	34D-20061-01	ROTOR	1			2200
222	34B-21001-08	BEARING	1			2200
224	010-01002-00	BOLT	1			2200
228	020-01001-60	WASHER	1			2200
260	34B-23071-01	REAR COVER	1			2200
264	001-14062-50	BOLT and WASHER	4			2200
302	KU3-10330-11	INVERTER	1			2200
305	34B-55001-03	COVER, INVERTER	1			2200
311	004-36051-60	SCREW and WASHER	2			2200
360	34K-20903-08	RECTIFIER	1			2200
362	34K-20904-08	SCREW	1			2200
380	34J-57301-03	SEAL SPONGE 1	1			2200
381	34B-57302-03	SEAL SPONGE 2	1			2200
382	34B-57303-03	SEAL SPONGE 3	1			2200
430	34B-48101-01	WIRE HARNESS	1			2200
680	34K-20905-08	SCREW	1			2200
767	34K-20907-08	BAND	2			2200

SECTION 23 BASE, FRAME GROUP

FIG. 2300

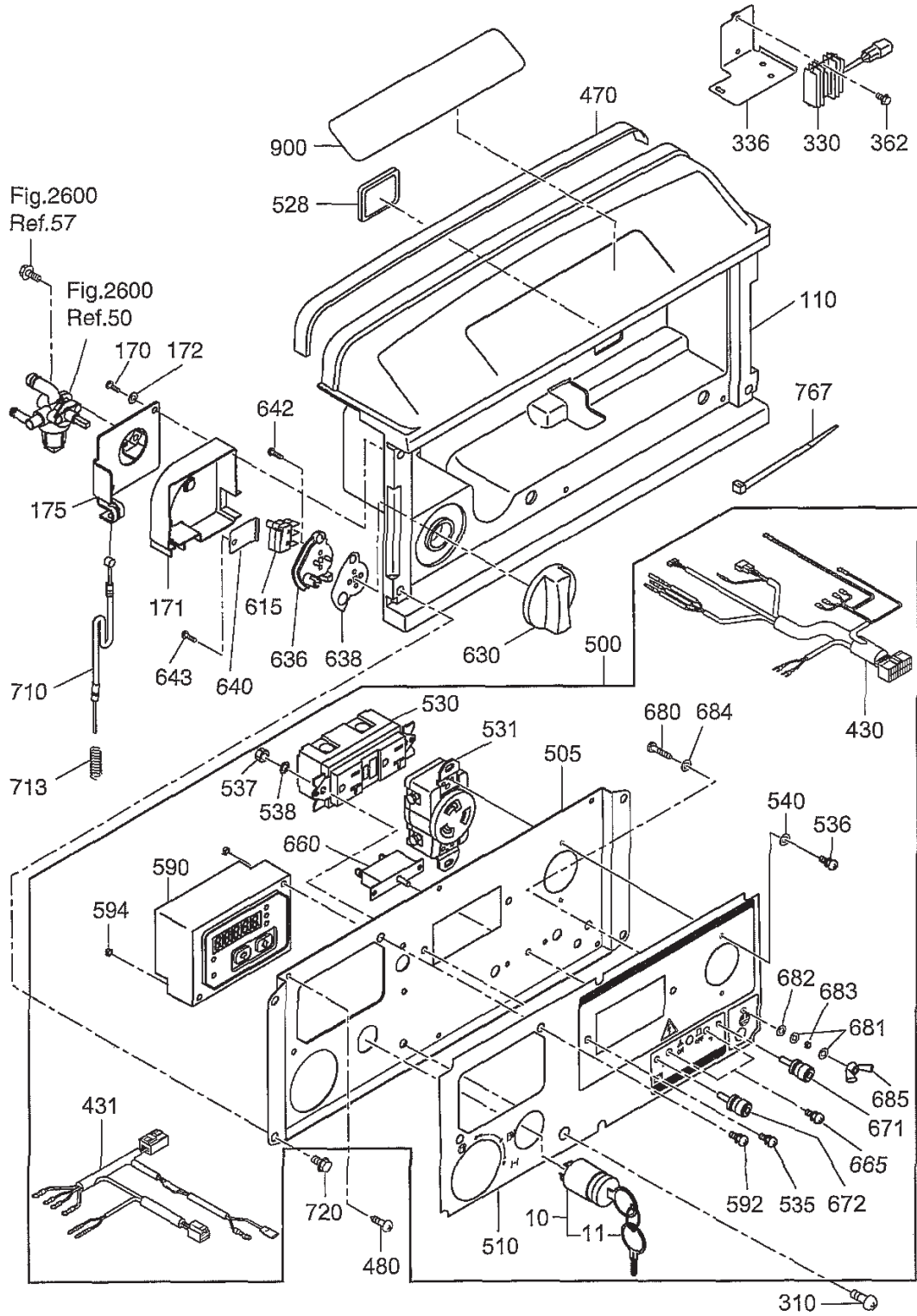


SECTION 23 BASE, FRAME GROUP

REF	PART NO	DESCRIPTION	QTY	REMARKS	FROM - TO	FIG
10	34J-30001-01	FRAME CP	1			2300
40	33B-35602-01	BATTERY BASE	1			2300
43	011-00600-80	FLANGE BOLT	2			2300
44	014-00601-21	SCREW	1			2300
50	34J-53101-01	BASE PLATE, lower	1			2300
80	34G-59005-03	SPONGE, BASE	1			2300
110	34J-53002-01	BASE PLATE, UPPER	1			2300
120	001-14081-60	BOLT and WASHER	4			2300
130	34G-59006-03	SPONGE, BASE	1			2300
180	393-30603-01	WHEEL	1			2300
320	32B-30214-01	MOUNT, LEFT	1			2300
321	32B-30213-01	MOUNT, RIGHT	1			2300
322	32B-30203-01	MOUNT, RIGHT	1			2300
323	32B-30204-01	MOUNT, LEFT	1			2300
330	002-38080-01	FLANGE NUT	8			2300
350	34G-55201-01	WHEEL SHAFT	2			2300
370	34G-56002-10	BRAKE 2 AY	1			2300
376	34G-56102-13	SPRING, BRAKE	1			2300
380	001-14081-60	BOLT and WASHER	1			2300
440	33B-48091-01	EARTH WIRE	1			2300
441	34B-48091-01	EARTH WIRE	1			2300
625	34G-55211-21	DRAIN GUIDE	1			2300
627	011-00600-20	FLANGE BOLT	1			2300
782	011-00600-20	FLANGE BOLT	2			2300
786	003-11120-00	WASHER	3			2300
790	005-10302-50	COTTER PIN	4			2300
815	33B-58001-01	BATTERY BAND	1			2300
832	33B-48072-11	BATTERY WIRE	1			2300
837	33D-35701-03	BATTERY COVER	1			2300

SECTION 24 CONTROL GROUP

FIG. 2400

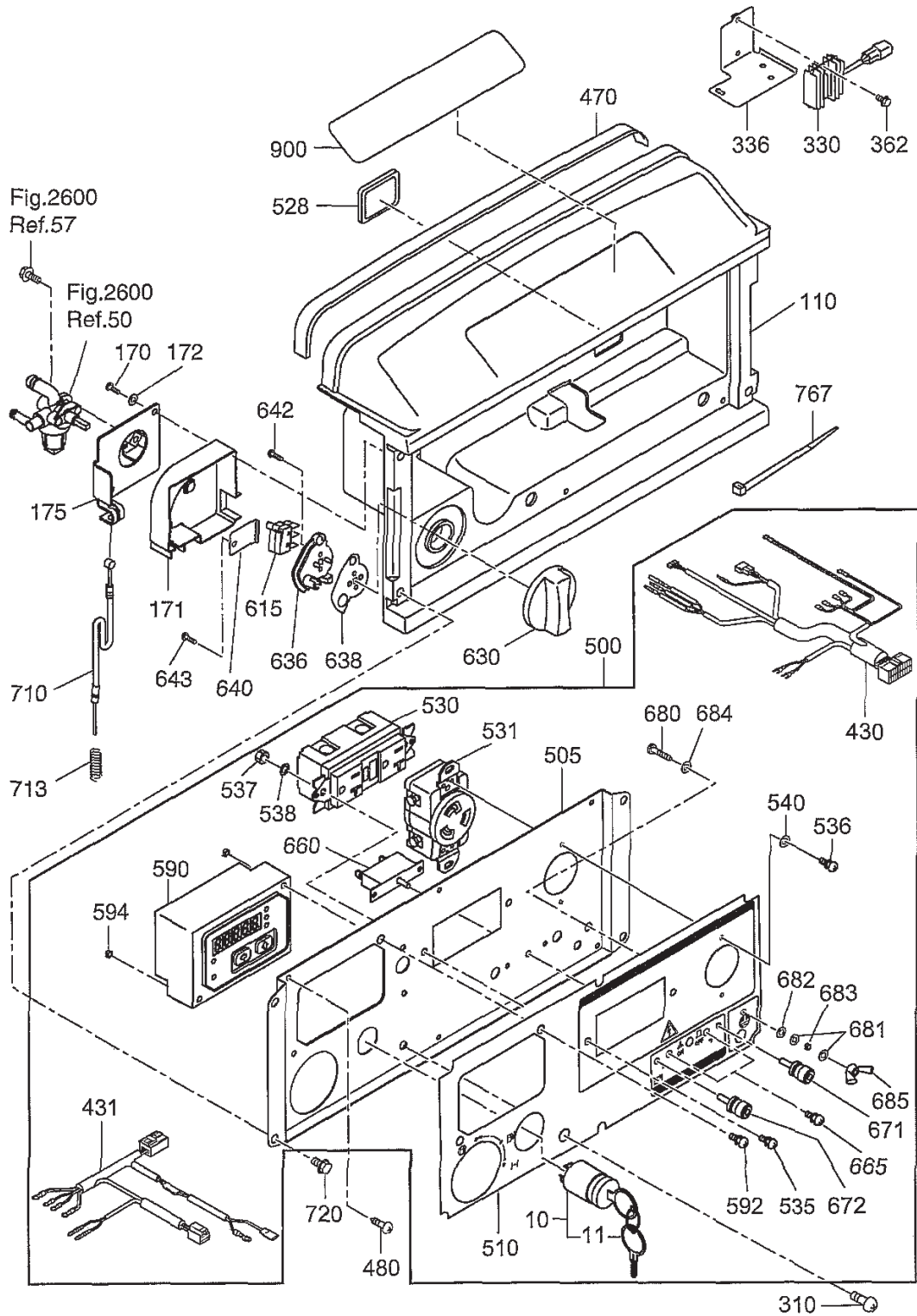


SECTION 24 CONTROL GROUP

REF	PART NO	DESCRIPTION	QTY	REMARKS	FROM - TO	FIG
10	066-00003-30	KEY SWITCH	1			2400
11	066-00099-80	KEY	2			2400
110	33B-50001-01	FRONT COVER, upper	1			2400
170	015-00400-70	TAPPING SCREW	2			2400
171	33B-46001-03	COVER, cock	1			2400
172	003-10040-00	WASHER	2			2400
175	33B-46012-01	BRACKET, cock	1			2400
310	004-36061-60	SCREW and WASHER	2			2400
330	33B-47502-01	REGULATOR	1			2400
336	33B-35801-02	BRACKET, regulator	1			2400
362	011-00600-50	FLANGE BOLT	2			2400
430	34B-48001-01	WIRE HARNESS	1			2400
431	34B-48052-01	WIRE HARNESS	1			2400
470	34B-57311-03	SEAL SPONGE	1			2400
480	353-49904-08	TAPPING SCREW	6			2400
500	34D-45921-00	CONTROL PANEL	1			2400
505	33B-45013-01	PANEL PLATE	1			2400
510	34B-49119-03	SHEET	1			2400
528	227-75001-03	GROMMET	1			2400
530	388-85003-01	AC CONNECT, GFCI	1			2400
531	356-45711-08	AC CONNECT, NEMA	1			2400
535	004-35041-00	SCREW and WASHER	2			2400
536	356-59937-08	SCREW	2			2400
537	002-27040-08	NUT	2			2400
538	003-10040-00	WASHER	2			2400
540	326-00335-08	SPRING WASHER	2			2400
590	KU3-11760-11	MONITOR C/U	1			2400
592	013-10400-80	SCREW and WASHER	2			2400
594	002-17040-00	NUT	2			2400
615	33K-41811-03	MICRO SWITCH	2			2400
630	33K-42010-03	CONTROL DIAL	1			2400
636	33K-42020-03	CHOKE REEL	1			2400
638	33K-42030-13	PLATE	1			2400
640	33B-46015-01	BRACKET, micro	1			2400
642	33K-41814-08	TAPPING SCREW	2			2400
643	015-00400-70	TAPPING SCREW	1			2400
660	352-45620-08	CIRCUIT BREAKER	1			2400
665	31B-79011-03	SCREW	2			2400
671	363-45701-08	TERMINAL BOLT	1	Red		2400
672	363-45700-08	TERMINAL BOLT	1	Black		2400
680	388-88001-03	SCREW and WASHER	1			2400
681	332-00050-08	SPRING WASHER	2			2400
682	353-49903-08	WASHER	1			2400
683	353-49902-08	NUT	1			2400
684	003-30050-00	LOCK WASHER	1			2400
685	353-49901-03	WING NUT	1			2400

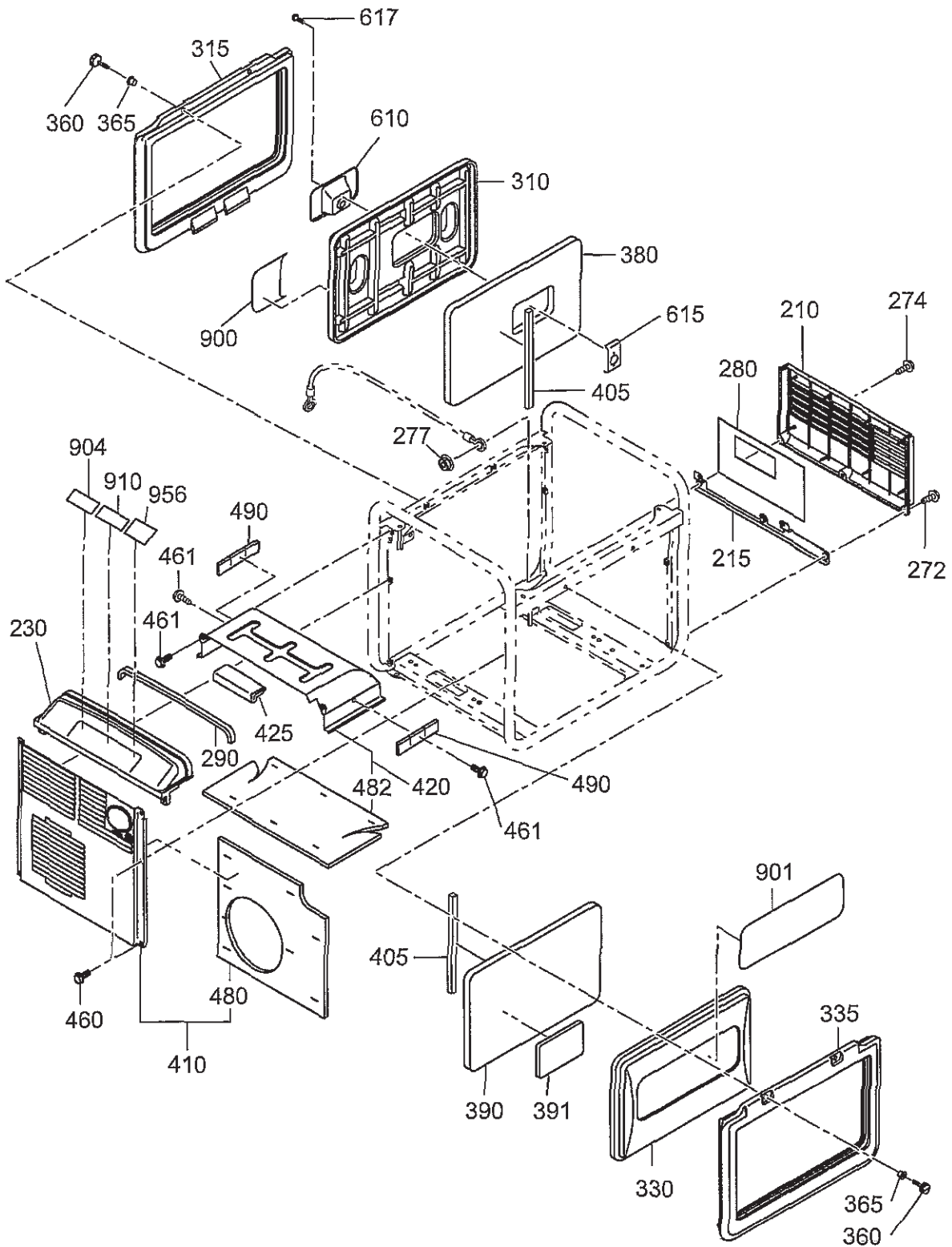
SECTION 24 CONTROL GROUP

FIG. 2400



SECTION 25 COVER GROUP

FIG. 2500

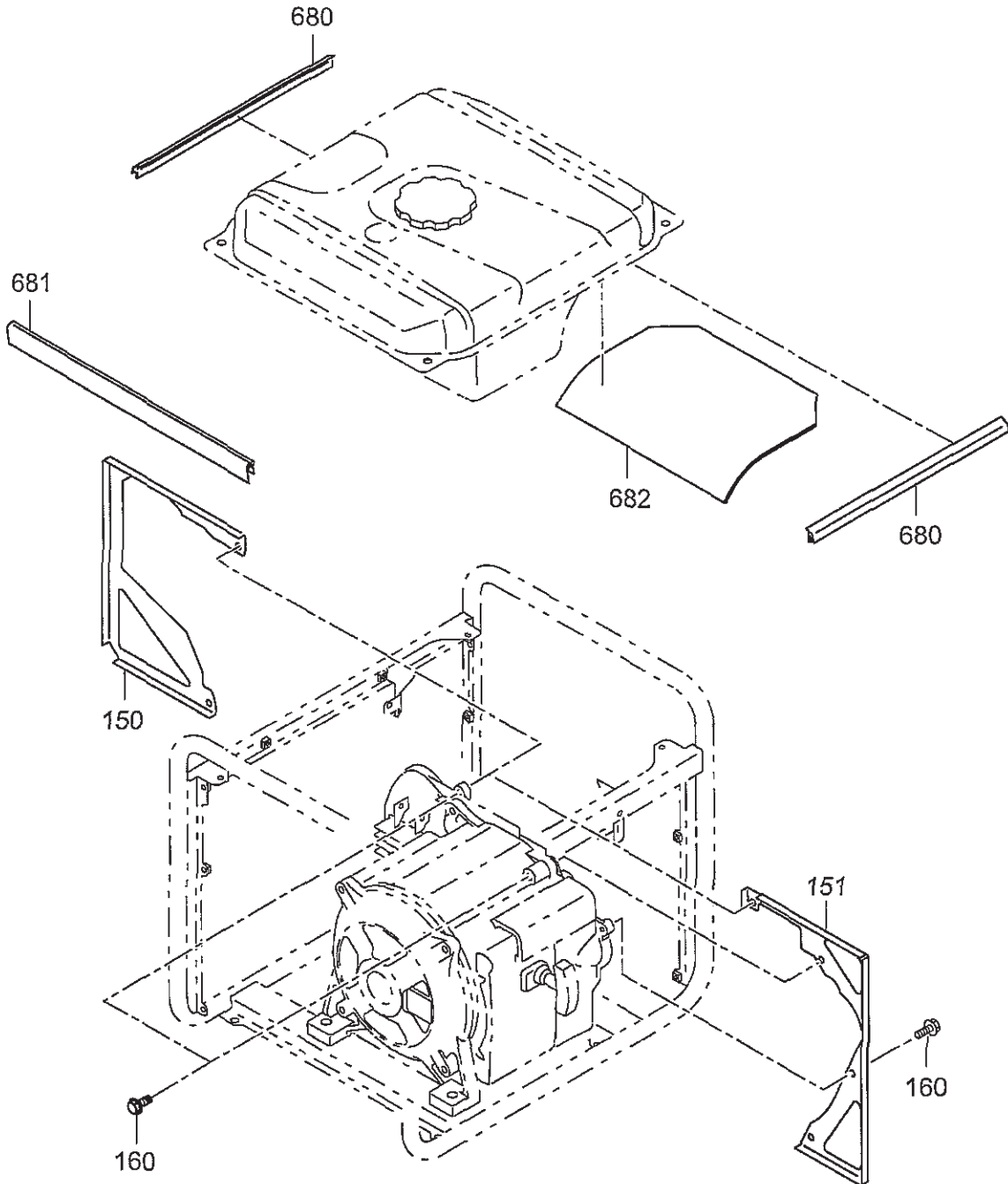


SECTION 25 COVER GROUP

REF	PART NO	DESCRIPTION	QTY	REMARKS	FROM - TO	FIG
210	33B-50101-01	FRONT COVER, lower	1			2500
215	33B-35501-01	BRACKET, lower	1			2500
230	33B-50501-01	REAR COVER, upper	1			2500
272	011-00601-80	FLANGE BOLT	2			2500
274	001-11062-50	BOLT and WASHER	1			2500
277	002-38060-00	FLANGE NUT	1			2500
280	34B-57310-03	SEAL SPONGE FC1	1			2500
290	34B-57311-03	SEAL SPONGE FC2	1			2500
310	34J-51001-01	SIDE COVER, R	1			2500
315	34J-55101-03	SIDE RUBBER SEAL	1			2500
330	34J-51110-01	SIDE COVER, L	1			2500
335	34J-55101-03	SIDE RUBBER SEAL	1			2500
360	34G-55301-01	COVER BOLT	4			2500
365	34G-55302-01	SPACER	4			2500
380	34J-59001-13	SPONGE, S cover right	1			2500
390	34J-59002-13	SPONGE, S cover left	1			2500
391	34G-59008-03	SPONGE, S cover left	1			2500
405	34G-57321-03	SEAL SPONGE, side	2			2500
410	33B-56411-01	MUFFLER COVER, rear	1			2500
420	34J-56351-01	MUFFLER COVER, left	1			2500
425	33B-57005-03	SEAL RUBBER	1			2500
460	011-00601-80	FLANGE BOLT	6			2500
461	011-00600-80	FLANGE BOLT	4			2500
480	33B-57105-03	GLASS WOOL	1			2500
482	33B-57104-03	GLASS WOOL	1			2500
490	34J-57321-03	SEAL SPONGE	2			2500
610	34G-55001-01	COVER, recoil knob	1			2500
615	34G-55002-01	PLATE	1			2500
617	004-35061-00	SCREW and WASHER	2			2500
900	34J-91003-03	LABEL trademark	1			2500
901	34J-92003-03	LABEL trademark	1			2500
904	34J-96004-03	LABEL, specification	1			2500
910	33K-94002-03	LABEL, caution	1			2500
956	073-20045-00	LABEL, hot & gas	1			2500

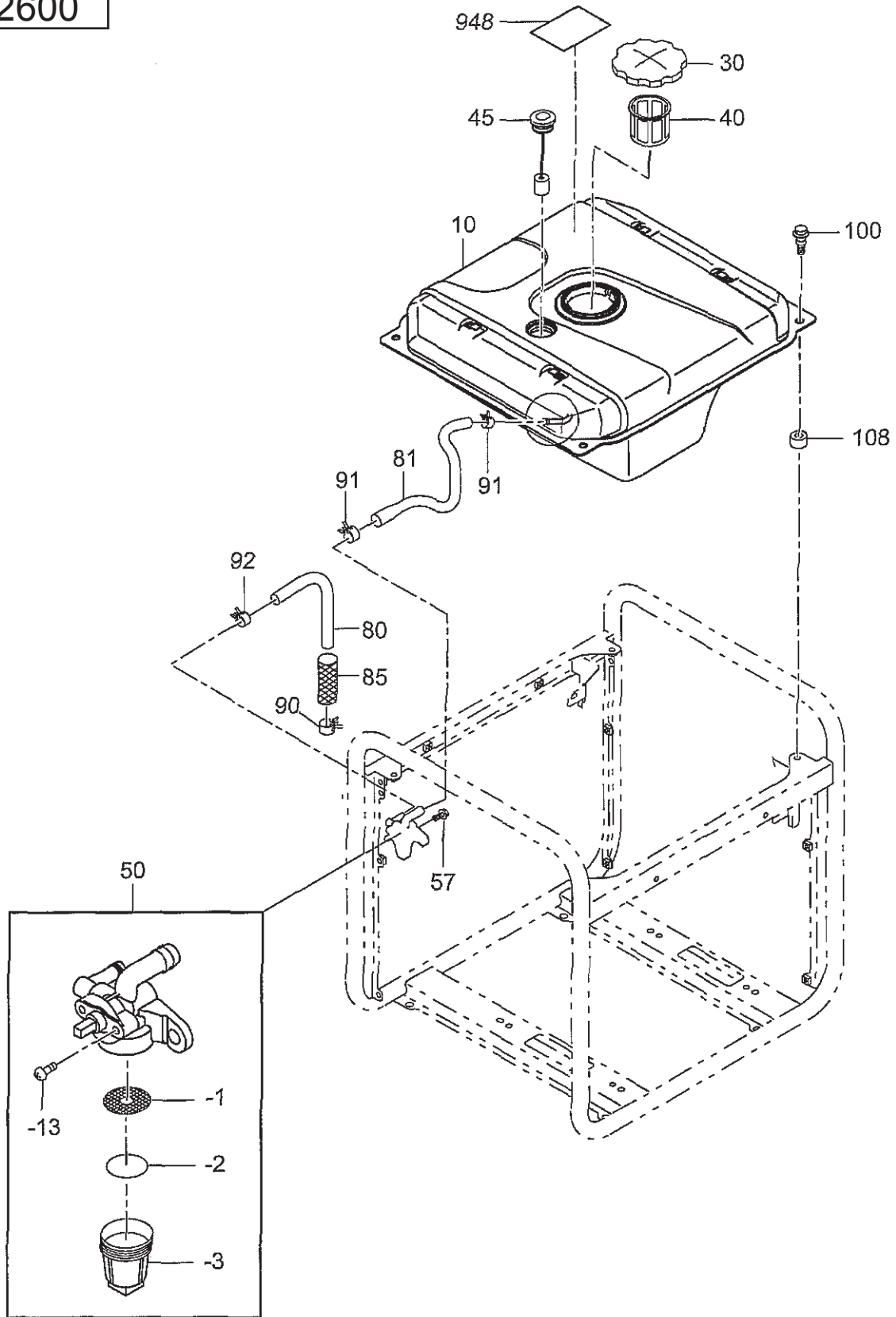
SECTION 25 COVER GROUP

FIG. 2510



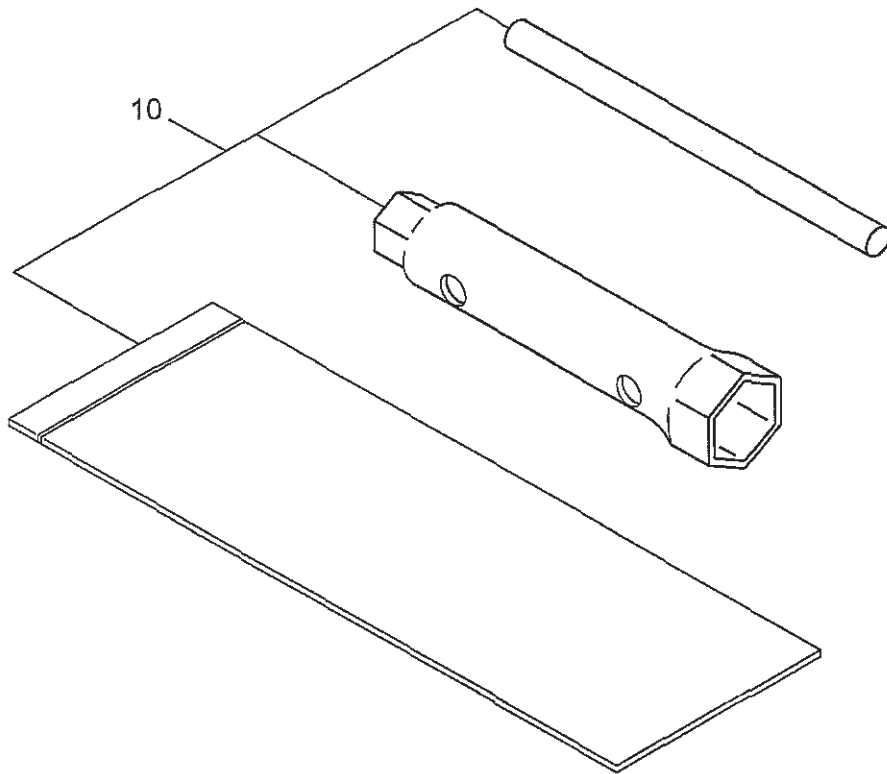
SECTION 26 FUEL TANK GROUP

FIG. 2600



SECTION 29 ACCESSORIES GROUP

FIG. 2900



PRINTED IN THE USA