

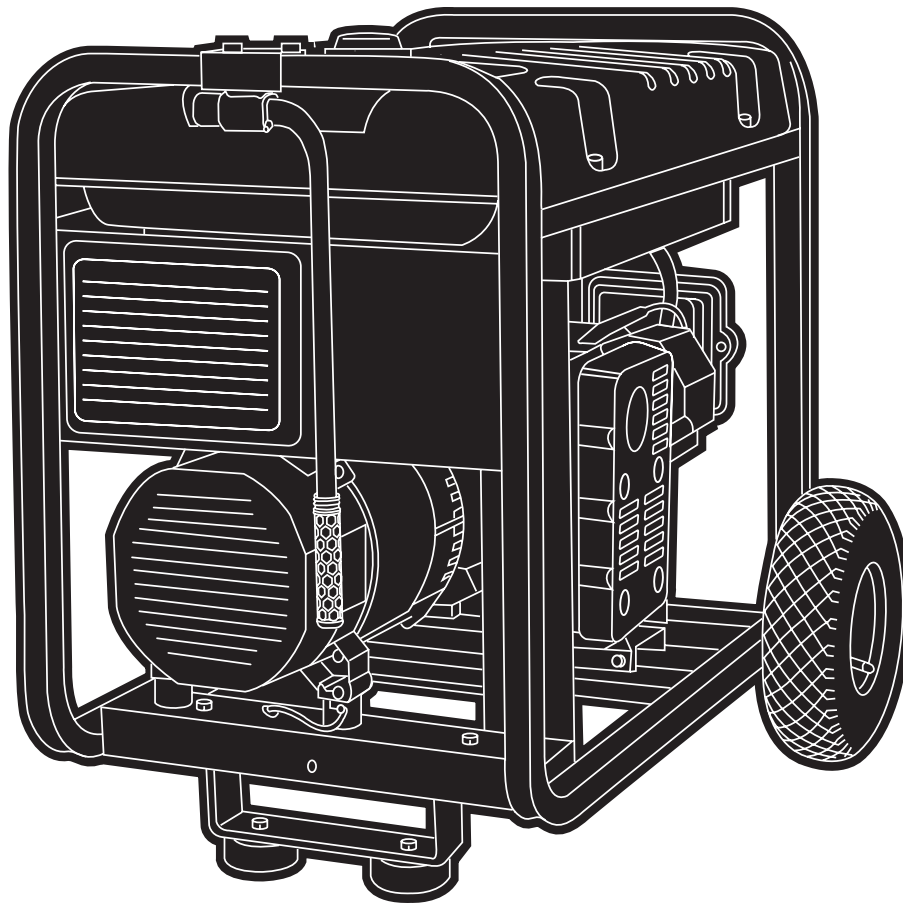
# SNAPPER™

**5600 Watt  
Generator**

by

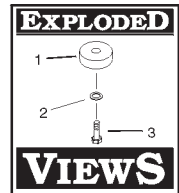


## Illustrated Parts List

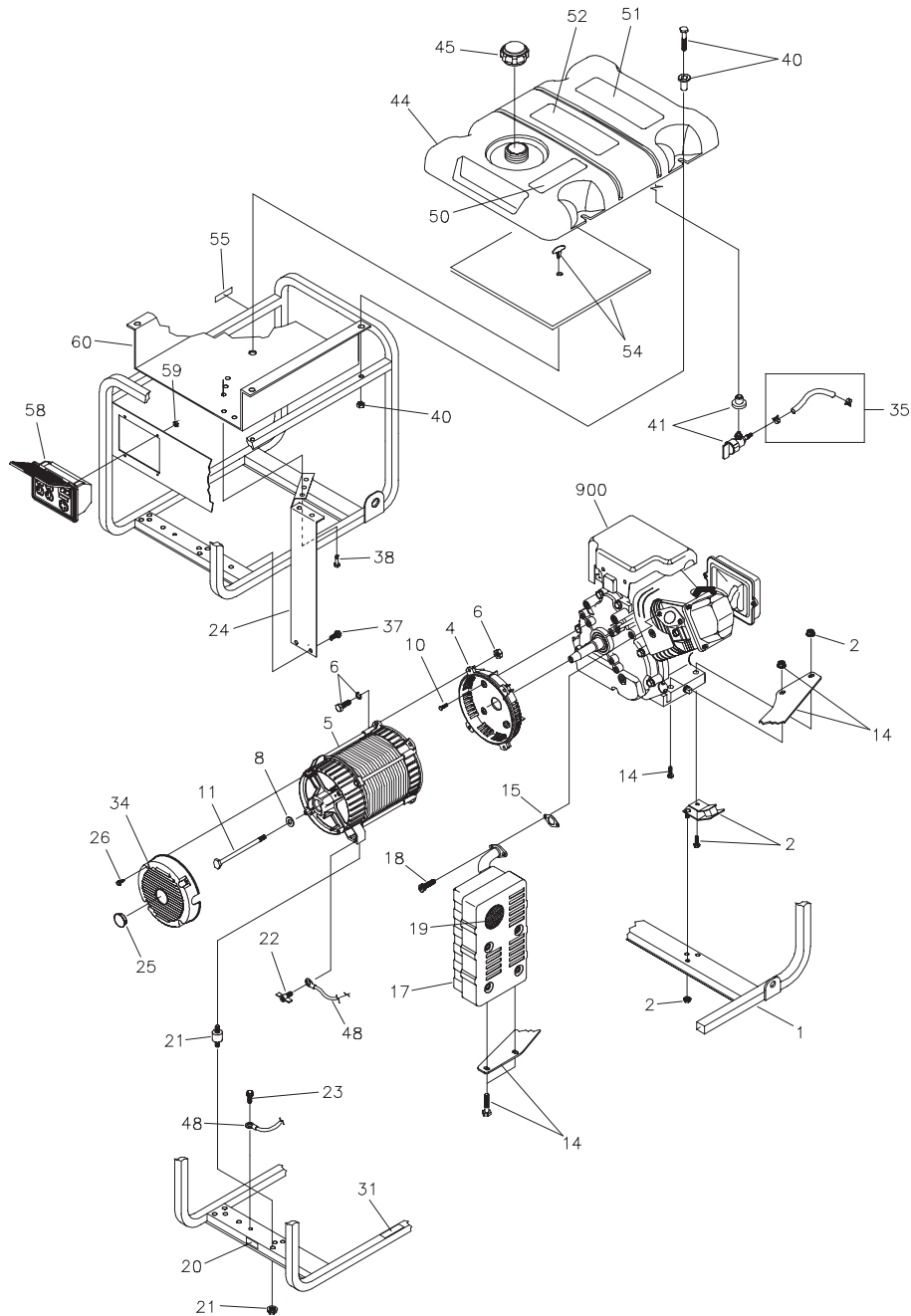


Snapper™ is a licensed trademark of Briggs & Stratton Power Products.

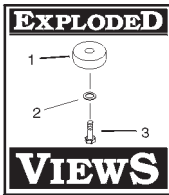
**BRIGGS & STRATTON POWER PRODUCTS GROUP, LLC  
JEFFERSON, WISCONSIN, U.S.A.**



## EXPLODED VIEW - MAIN UNIT



Copyright © 2005 Briggs & Stratton Power Products Group, LLC. All rights reserved. No part of this material may be reproduced or transmitted in any form by any means without the express written permission of Briggs & Stratton Power Products Group, LLC.



## EXPLODED VIEW - PARTS LIST

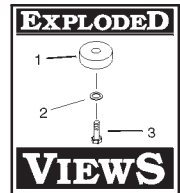
Item	Part #	Description
1	M189503GS	CRADLE
2	194150GS	KIT,Vibration Mount 45°
4	190220GS	HOUSING, Engine Adapter
5	NSP	ASSY,Alternator (see page 4)
6	194151GS	KIT, Hardware Mounting Adapter
8	96796GS	WASHER, M8 Flat
10	190274BGS	SBHCS, 3/8-16 x 1.0 Lg.
11	187365FGS	HHCS, 5/16-24 x 7-7/16
14	194729GS	KIT, Muffler Bracket w/ Hardware
15	695398	GASKET, Exhaust
17	189008GS	MUFFLER
18	60706GS	SCREW, 5/16 - 18 x 3/4"
19	83083GS	SCREEN, Spark Arrest
20	B4986GS	DECAL, Ground, Green
21	194153GS	KIT,Vibration Mount
22	86494GS	SCREW,Wing M6 1.0 x 16
23	86292GS	SCREW, 10-16 x 3/4 Self Drill
24	194390GS	SHIELD, Heat
25	191190GS	CAP
26	74908GS	SCREW, M5-0.8 x 10, Taptite
31	191436GS	DECAL, Hot Muffler
34	195422GS	COVER, Bearing Carrier
35	194265GS	KIT, Fuel Hose w/ Clamps
37	B2153GS	SCREW, 12-14 x 7/8 Self Drilling
38	56893GS	SCREW, 10-24 x 1/2 Crimptite
40	195477GS	KIT, Fuel Tank Hardware
41	192980GS	KIT, Valve, Tank
44	194217GS	ASSY, Tank, Fuel (Includes Items 41, 50, 51 & 52)
45	90878GS	CAP, Fuel Gauge
48	195373GS	WIRE, Ground
50	188333GS	DECAL, Gas Fill
51	194799GS	DECAL, Danger
52	189235GS	DECAL, Start Instructions
54	194448GS	KIT, Insulation w/ Clip
55	191435GS	DECAL, Fuel Shut-off
58	190355GS	ASSY, Control Panel (see page 5)
59	*	NUT, Palnut, 3/16"
60	194389GS	SHIELD, Heat
900	§	ENGINE

### Parts Not Illustrated

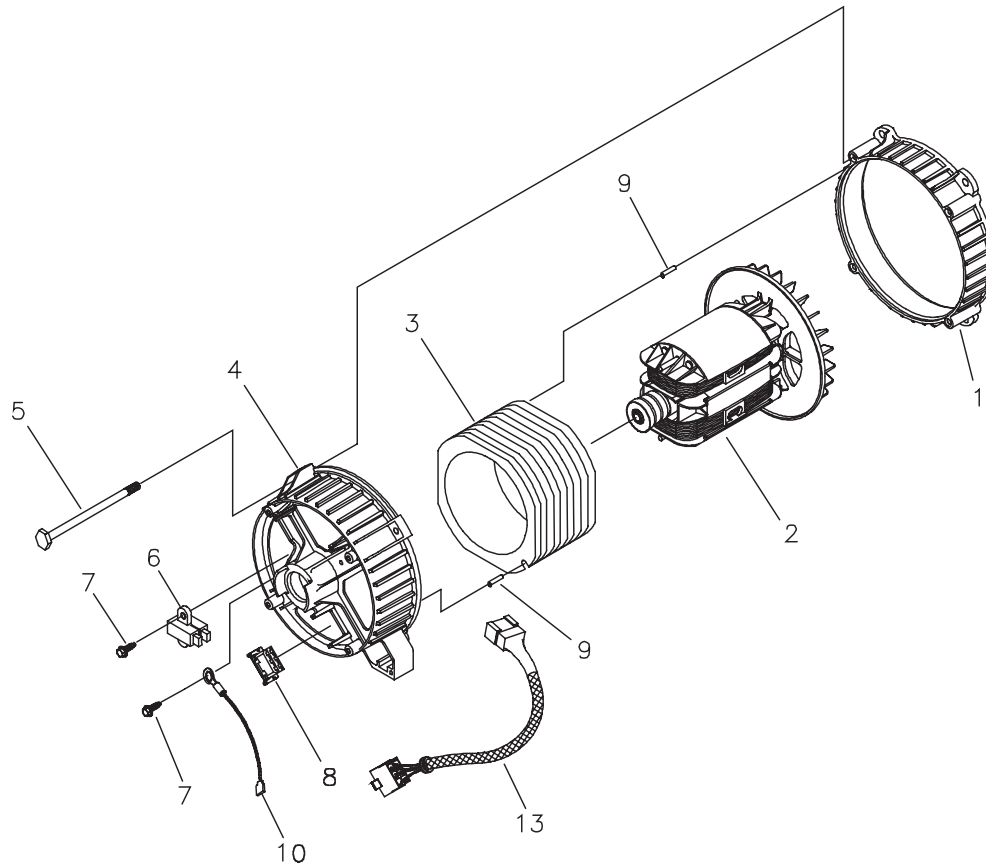
BB3061GS	BOTTLE, Oil
195609GS	MANUAL, Owners
MS5242	MANUAL, Engine
195706GS	KIT, Decals, SRV

\* - Items without part numbers are common fasteners and are available at your local hardware store.

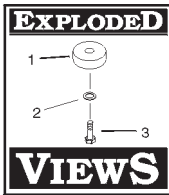
§ - Contact Engine Manufacturer



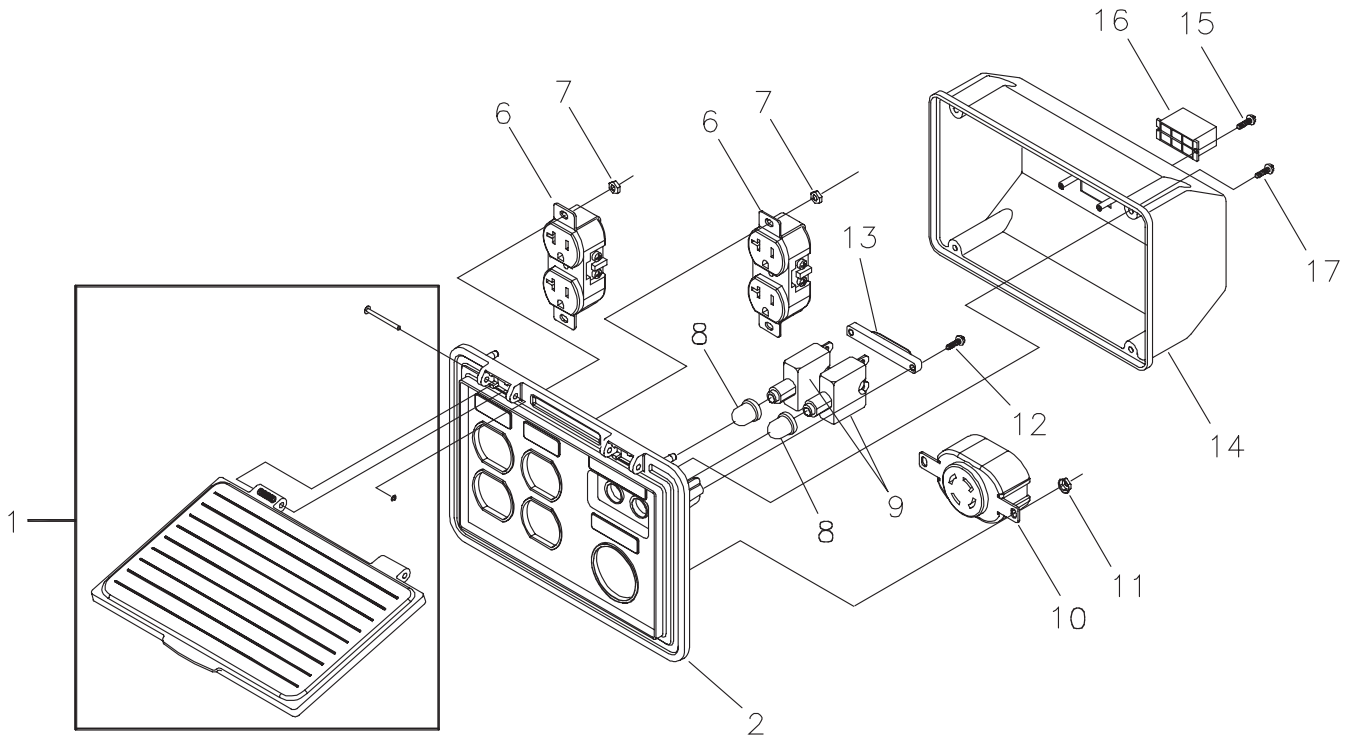
## EXPLODED VIEW AND PARTS LIST - ALTERNATOR



Item	Part #	Description
1	186059GS	ADAPTER, Mounting, Alternator
2	190032GS	ROTOR
3	190079AGS	STATOR
4	186060GS	RBC, with O-Ring (p/n 189197GS)
5	86308HGS	HHCS, M6 - 1.0 x 140 SEMS
6	91825GS	ASSY, Holder, Rectifier/Brush
7	66849GS	TAPTITE, M5 - 0.8 x 16
8	22694GS	RECEPTACLE, 6 pin
9	81917GS	PIN, Roll, 4mm x 10
10	193428AGS	ASSY, Wire, Ground
13	194274GS	HARNESS, Wire, Power

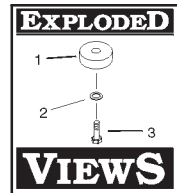


## EXPLODED VIEW AND PARTS LIST - CONTROL PANEL

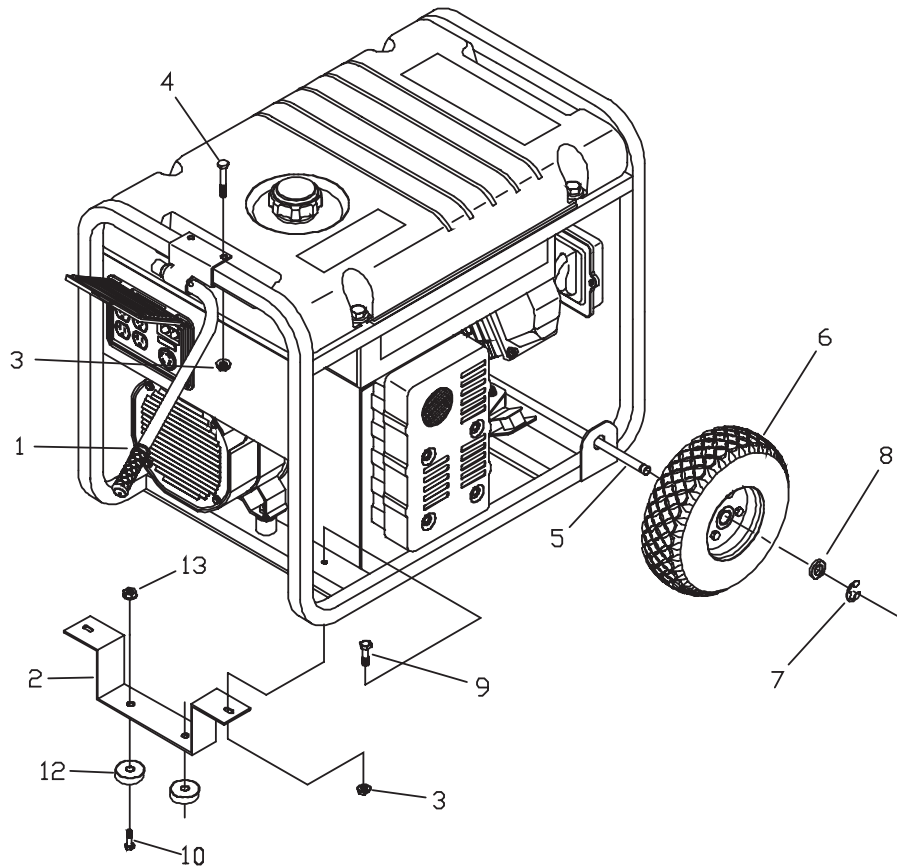


Item	Part #	Description
1	195112GS	KIT, Control Panel Lid
2	188889GS	CONTROL PANEL, Compact
6	68759GS	OUTLET, 120V, 20A, Duplex
7	*	NUT, Palnut, Pushnut, 5/32
8	84198GS	CAP, Breaker, Circuit
9	75207GS	BREAKER, Circuit
10	43437GS	OUTLET, 120/240V Locking, 30A
11	*	NUT, Palnut, Pushnut, 3/16
12	*	SCREW, Phillips, Head 3.5 x 18
13	93857GS	BAR, Retaining
14	188890GS	COVER, Back, Control Panel
15	*	SCREW, Self Tapping, STC 3 x 18
16	22694GS	HOUSING, Receptacle
17	*	SCREW, Phillips, 3.5 x 14

\* - Items without part numbers are common fasteners and are available at your local hardware store.



## EXPLODED VIEW AND PARTS LIST - WHEEL KIT




Item	Part #	Description
1	189715GS	ASSY, Handle
2	B187101GS	LEG, Mounting
3	52858GS	NUT, Locking Hex M8 - 1.25
4	39287GS	HHCS, M8 - 1.25 x 45
5	191267GGS	AXLE, 5/8" x 23.62"
6	B4966GS	WHEEL, 10" Diameter
7	191265GS	E-RING
8	22247GS	WASHER, Flat, 5/8"
9	39253GS	HHCS, M8 - 1.25 x 20
10	22413GS	HHCS, 1/4 - 20 x 1.00 Lg
11	191413GS	VIBE MOUNT, with Washer
12	192432GS	NUT, 1/4 - 20 Serrated Lock


\* - Items without part numbers are common fasteners and are available at your local hardware store.


# Wiring Diagram & Schematic


## SAFETY WARNINGS

### Safety Alert Symbols

The safety alert symbol () is used to identify hazards that can result in personal injury. A signal word (**DANGER, WARNING or CAUTION**) is used with the alert symbol to indicate the potential severity of injury. In addition, a hazard symbol may be used to represent the type of hazard.





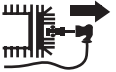
 **DANGER:** Indicates a hazard which, if not avoided **will result in death or serious injury.**

 **WARNING:** Indicated a hazard which, if not avoided **could result in death or serious injury.**


 **CAUTION:** Indicates a hazard which, if not avoided **might result in death or serious injury.**


**CAUTION:** When used without the alert symbol, indicates a situation that could result in damage to equipment or components.

**HAZARD SYMBOLS AND MEANINGS**

 Explosion	 Fire	 Shock
 Entanglement	 Disconnect Spark Plug	

WD-SCH-01

 **DANGER**


 Generators produce powerful voltages. Failure to isolate generator from power utility can result in death or injury to electric utility workers due to backfeed of electrical energy.


- When testing generators used for backup power, notify utility company.

WD-SCH-05

**CAUTION:** The measuring equipment used in troubleshooting this equipment should be of industrial quality and should have the sensitivity to measure electronic values to the third decimal. Its accuracy should conform with acceptable industry tolerances. Ensure that all specified tools and/or equipment are available before attempting to troubleshoot.


WD-SCH-03


 **DANGER**

 Physical contact with energized electrical components will result in dangerous and possibly fatal electrical shock.

- Do not touch bare wires or receptacles.


WD-SCH-04




 **CAUTION**

 These wiring diagrams and schematics are intended for use by trained and qualified electrical service technicians who are working in a properly equipped service environment. Familiarity with the proper method of using tools, measuring equipment and service procedures is essential to performing successful troubleshooting and repair of this equipment.

- Only qualified electrical technicians should attempt to service this equipment.

WD-SCH-02

 **WARNING**

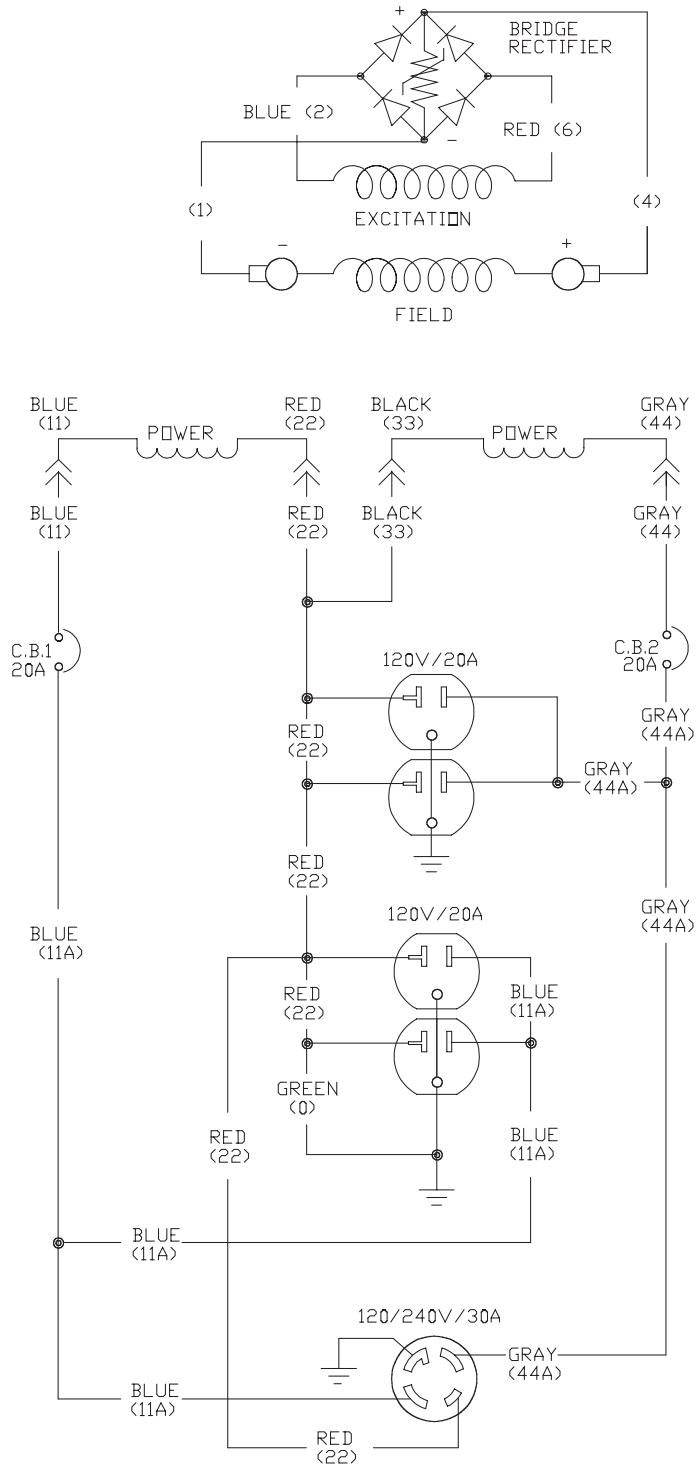
  
  
 Accidental starting of the unit may cause entanglement or electrocution.

- Where applicable, disconnect the negative (-) battery terminal.
- Disconnect the spark plug wire.
- Remove the control panel fuse when available.

WD-SCH-07

# 5600 Watt Portable Generator

## SCHEMATIC



# 5600 Watt Portable Generator

## WIRING DIAGRAM

